

Bathroom & Kitchen Book

Lifestyle Solutions

EUROPE 2021



RAK
CERAMICS



**ROOM FOR
IMAGINATION**

RAK
CERAMICS

Index

RAK-SANIT	29
RAK-FEELING	47
BATHROOM SUITES	49
RAK-Cloud	66
RAK-Des	88
RAK-Illusion	118
RAK-Sensation	134
RAK-Resort	152
RAK-Metropolitan	162
RAK-Washington	170
RAK-Caroline	188
RAK-One	194
RAK-Tonique	202
RAK-Compact	210
RAK-Morning	218
RAK-Origin	230
RAK-Orient	236
RAK-Karla	242
WASH BASINS	251
RAK-Precious	252
RAK-Petit	268
RAK-Variant	284
RAK-Feeling Wash Basins	304
Counter Top Wash Basins	312
Drop In Wash Basins	316
Semi Recessed Wash Basins	319
Under Counter Wash Basins	320
Cloakroom Wash Basins	321
SENIOR NEEDS	325
SPECIAL NEEDS	341
CHILDREN SUITES	351
URINALS & PARTITIONS	355
SQUATTING PANS, CISTERNS	361
TECHNICAL ACCESSORIES	365
RAK-Duo / Spray Douche Set (Shataff)	366
RAK-Duo / Bottle Traps	370
RAK-Duo / Bottle Traps for Vanity	372
RAK-Duo / Bottle Traps for F	

reestanding	374
RAK-Duo / Click-clack Wastes	376
RAK-Duo / Free-Flow Wastes	378
FURNITURE	381
RAK-Joy Uno	388
RAK-Joy	410
MIRRORS & LIGHTS	433
RAK-Cloud	434
RAK-Joy Uno	436
RAK-Joy	438
BATHTUBS	445
Freestanding Bathtub	446
Drop in Bathtub	452
SHOWER TRAYS	455
RAK-Feeling	456
RAK-Mare	470
RAK-Oceano	471
FLUSHING SYSTEMS	475
RAK-Ecofix / Push Plates	484
RAK-Ecofix / Concealed Cisterns	490
RAK-Ecofix / Cabinet Cisterns	496
RAK-Ecofix / Furniture Cisterns & Universal Frame	500
RAK-Ecofix / Urinal Flush Sensors	502
RAK-Neofix / Push Plates	508
RAK-Neofix / Concealed Cisterns	514
KITCHEN SINKS	518
TECHNICAL INFORMATION	531
NEW COLLECTIONS	
RAK-SANIT	29
RAK-Des	88
RAK-Petit	268
RAK-Neofix	508

Collections by Alphabetical Order

C	
RAK-Caroline	188
Children Suites	351
RAK-Cloud	66
RAK-Compact	210
D	
RAK-Duo	366
RAK-Des	88
F	
RAK-Feeling	47
E	
RAK-Ecofix	484
J	
RAK-Joy Furniture	410
RAK-Joy Uno Furniture	388
RAK-Joy Mirror & Lights	438
RAK-Joy Uno Mirror & Lights	436
I	
RAK-Illusion	118
K	
RAK-Karla	242
M	
RAK-Metropolitan	162
RAK-Morning	218
N	
RAK-Neofix	508
O	
RAK-One	194
RAK-Orient	236
RAK-Origin	230
P	
RAK-Petit	268
RAK-Precious	252
R	
RAK-Resort	152
S	
RAK-SANIT	29

Special Needs	341
Senior Needs	325
RAK-Sensation	134
RAK-Silver	326
T	
RAK-Tonique	202
V	
RAK-Variant	284
W	
RAK-Washington	170



RAK CERAMICS

Focused on ceramics' expertise

RAK Ceramics is one of the largest ceramics' brands in the world. Specialising in ceramic and gres porcelain wall and floor tiles and sanitaryware, the company has the capacity to produce 123 million square metres of tiles and 5 million pieces of sanitaryware per year at its state-of-the-art plants across the United Arab Emirates, India and Bangladesh.

Founded in 1989 and headquartered in the United Arab Emirates, RAK Ceramics serves clients in more than 150 countries through network of operational hubs its in Europe, Middle East and North Africa, Asia, North and South America and Australia. Across global operations the company employes approximately 15,000 staff from more than 40 nationalities. RAK Ceramics is a publicly listed company on the Abu Dhabi Securities Exchange in the United Arab Emirates and as a group has an annual turnover of approximately US\$1 billion.

Forged in the mountains of Ras Al Khaimah

RAK Ceramics was established in Ras Al Khaimah (U.A.E.) in 1989 by H.H. Sheikh Saud Bin Saqr Al Qasimi, member of the Supreme Council and Ruler of Ras Al Khaimah, who aspired to have the best machinery, latest technology, and to produce the best products possible for sale in the world.

Now under the vision and leadership of Sheikh Khalid Bin Saud Al Qasimi, Chairman of RAK Ceramics; the company has enjoyed rapid growth becoming an industry leader in just 30 years.





Latest technology and manufacture

RAK Ceramics is internationally recognized for the high quality of its sanitary ceramics. This quality comes from carefully selected premium raw materials that ensure a perfect finish of the products. Better ingredients, better sanitaryware!

At RAK Ceramics we are not just ceramic experts. We manufacture also seat covers, acrylic bathtubs and showertrays.

Quality makes us different

RAK Ceramics was the first company in United Arab Emirates being awarded with **ISO 9001 certification** by internationally recognized UK certification body “CICS” (Ceramic Research Institute Certification Scheme) for ceramics tiles and sanitary wares. Bureau Veritas Certifications verified the implementation of RAK Ceramics’ quality management system and certified the company in compliance with the requirements of **ISO 9001:2015** with the scope covering the design, development, production and supply of ceramics and porcelain floor and wall tiles, slabs and vitreous china sanitary wares.

Bureau Veritas Certifications also certified RAK Ceramics for **ISO 14001:2015 Environmental Management System**.

Every phase of the RAK Ceramics sanitaryware production process counts on strict quality control procedures. The leadership in the GCC Region and the strong presence in several other international markets reflect our everyday efforts. Our internal Norms comply and exceed the international requirements in terms of quality and performance.

Its Testing Laboratory is operating in accordance to **ISO/IEC 17025** accredited by NATA (National Association of Testing Authorities, Australia).



Global approvals & standards

RAK Ceramics Sanitaryware production is accredited with the world's most reputable certification entities; with national and international certifications for product and processes, RAK Ceramics not only complies to the requirements, but often exceeds the most stringent international standards. Our own water/air severe product testing is performed on the 100% of WC & Bidet production. Only complying products are labeled with our QC sticker: a seal of quality and performance!



We play our role for a better environment and society

Sustainability in every sphere of business is one of the main elements of RAK Ceramics mission statement. The company is committed to practicing environmental stewardship throughout its manufacturing chain – from product design and efficient operations processes – and to playing an active role in building a better community by enhancing the surrounding environment. Organization's activities improve energy efficiency, reduce pollution, enhance biodiversity and improve the quality of life for both people in the communities it operates in and for its workforce. It recycles natural raw materials to help conserve natural resources and adopts clean development mechanism (cdm) projects to reduce carbon emissions during the manufacturing process.

RAK Ceramics is the first ceramics manufacturing company in its region to produce a global reporting initiative (GRI) sustainability and corporate social responsibility (CSR) report, based on the latest GRI-g4 guidelines. RAK Ceramics is a founding member of Emirates Green Building Council, which supports the development of sustainable buildings in the UAE.

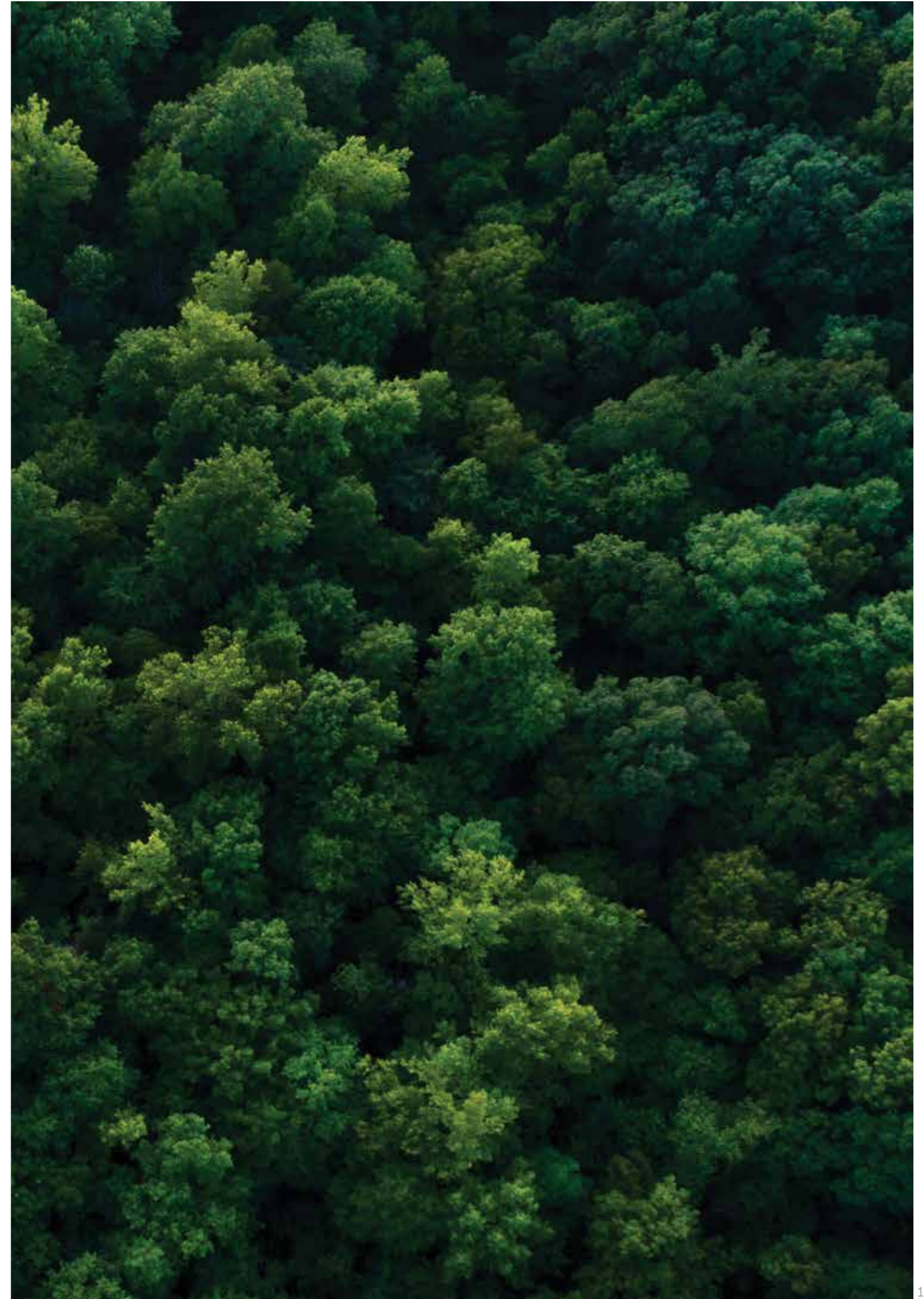
FROM RESPONSIBLE SOURCES FSC® CERTIFIED

The RAK-JOY wooden furniture collection respects the environment and the life of the furniture itself. All particleboard and MDF used in the construction of this striking furniture collection comes from responsible sources FSC certified, respecting the forests, the people and wildlife who call them home.

For more information: www.fsc.org



FSC® N002784





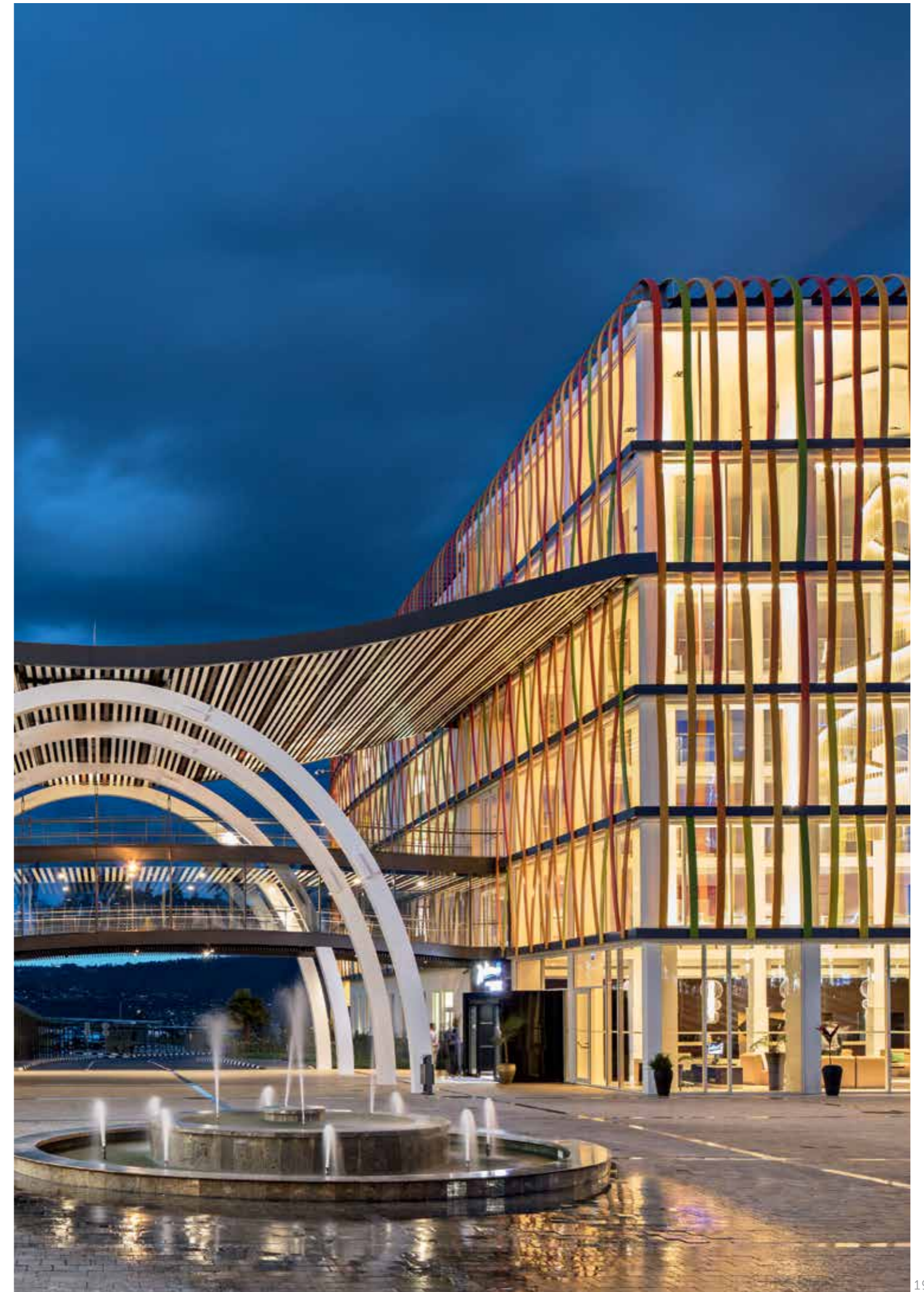
The world's leading ceramics lifestyle solution provider

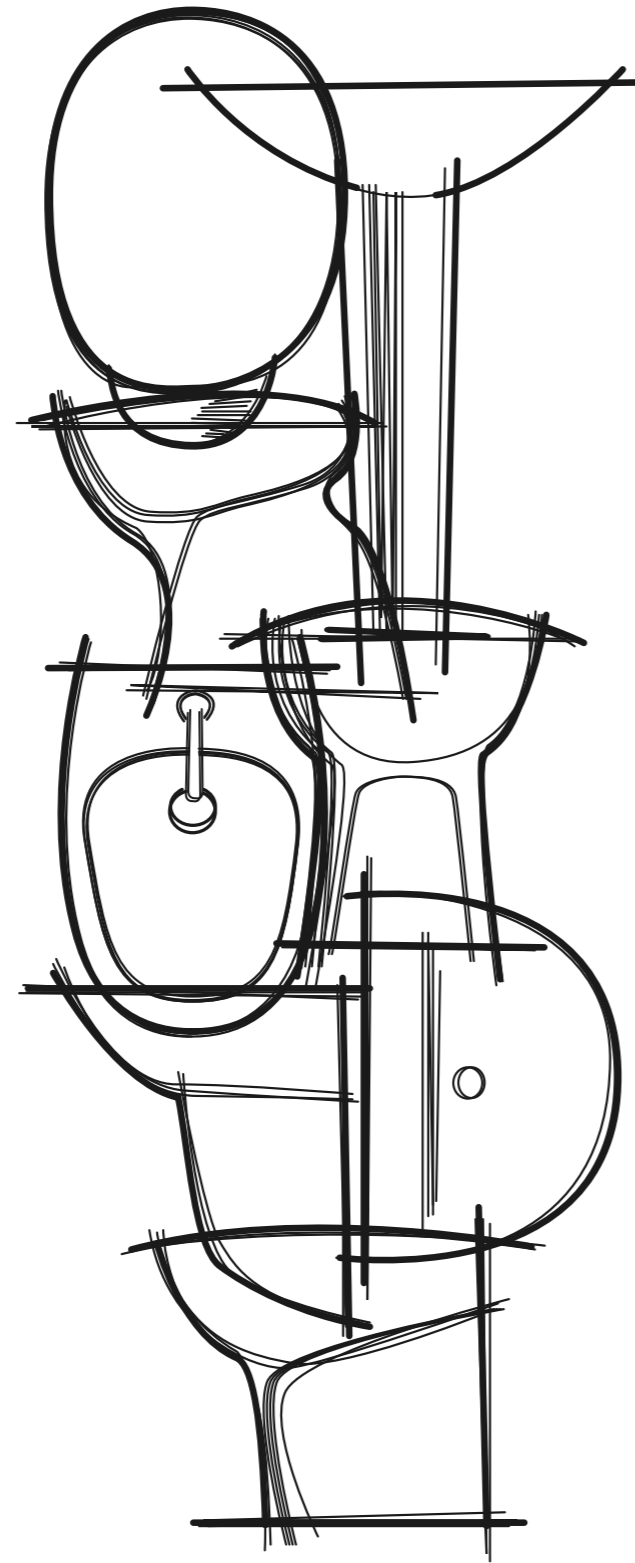
RAK Ceramics helps architects and interior designers create icons and build marvels. It provides sustainable materials that inspire ideas, shapes and hues designed to freely express any style. Unique and inspiring products that realistically resemble natural materials, with unlimited choice.

RAK Ceramics gives porcelain perfection and limitless imagination. Its passion and expertise combined with a careful attention to details enables it to provide designers and end users with a wide range of integrated ceramics solutions, allowing their freedom to be creative and plenty of room for imagination.

A track record of expertise

RAK Ceramics' products feature in some of the most iconic buildings in the world. From the Burj Al Arab, Atlantis on The Palm and Ferrari World, to Dubai Duty Free, Wembley Stadium, The O2 Arena, Mercedes Benz Showrooms, Airports, Residential Developments and Shopping Malls all over the world.





design

RAK
CERAMICS

Quality design for international tastes

RAK Ceramics product development has created a very wide range of products with carefully finished details and quality design to suit international tastes, incorporating the latest rimless technology.

Carefully designed and engineered with the aid of the latest 3D CAD softwares and prototyped with 5 axis CNC machines, RAK Ceramics Sanitaryware range has the perfect solution for your bathroom, whatever you have imagined.

Rimless technology

RAK Ceramics delivers the ultimate in technology for bathroom suites. Based on similar design specifications to sanitaryware in hospitals and medical centres, RAK Ceramics Rimless water closets allows you to experience the same high standards of hygiene in your own home.

RAK Ceramics continues to set new standards of hygiene and water efficiency in the sanitaryware industry, with uniquely engineered water flushing systems that effectively remove waste, helping to keep bathrooms fresh and hygienic.

WATER SAVING

Using just 4 litres for the full flush and 2.5 litres for the half flush, water usage is reduced by a third.

HYGIENIC AND EASY TO CLEAN

The water closets have no rims to harbour germs, making cleaning quick, easy and more hygienic.

SILENT FLUSH

Rimless technology allows a faster and more silent flush.

EFFICIENT DESIGN

Design and efficiency can be successfully combined. Water flows vertically and horizontally, before flushing the entire inner surface of the bowl, without splashing.



Water Saving



Easy Cleaning



Silent



Hygienic



No ledges or rim

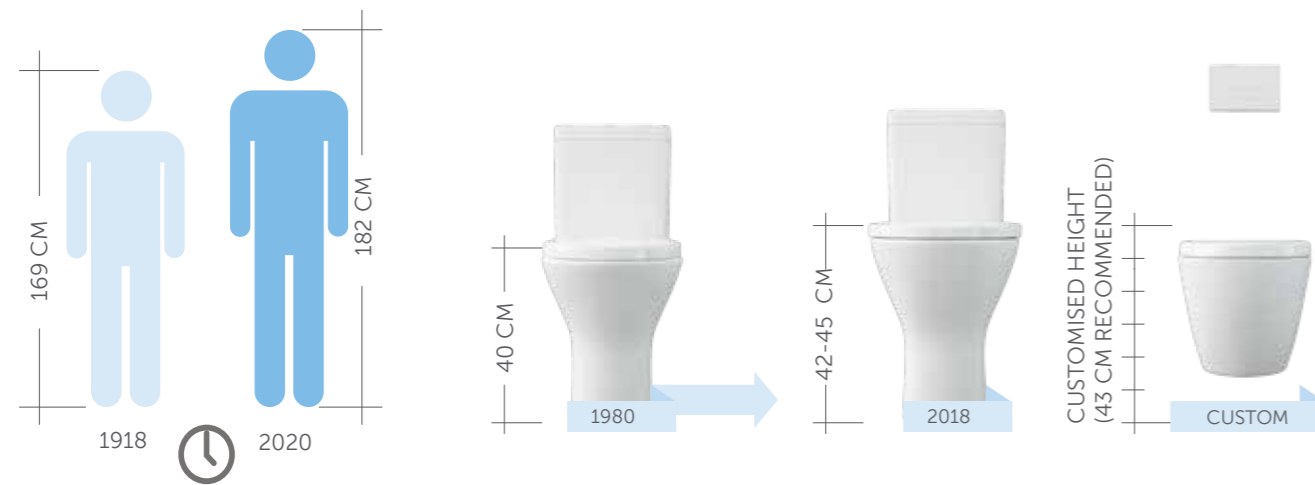


Rimless



Updated ergonomics

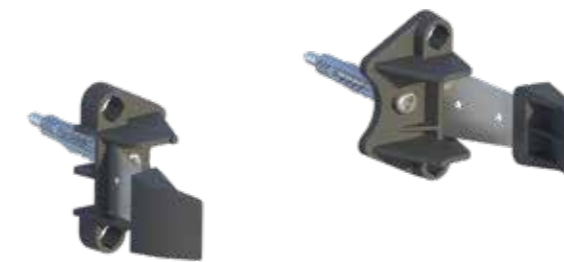
Over the last 100 years, the average height of people in industrialized nations has increased approximately by 10 cm. To be innovative in design also means meeting the changes in population and their new needs in terms of ergonomics and comfort. RAK Ceramics design evolves together with human evolution.



Hidden fixation systems

Our wall hung and back to wall products are benefitting of the collaboration with Fischer Group, one of the industry leaders. The use of the most innovative Fischer fixing systems, is allowing us design freedom on the ceramic, better aesthetics and more safety for the installer.

The Hidden Fixation System is comfortable and time saving, in fact one-man installation is made possible by the clip system that keeps the ceramic held up during the installation.

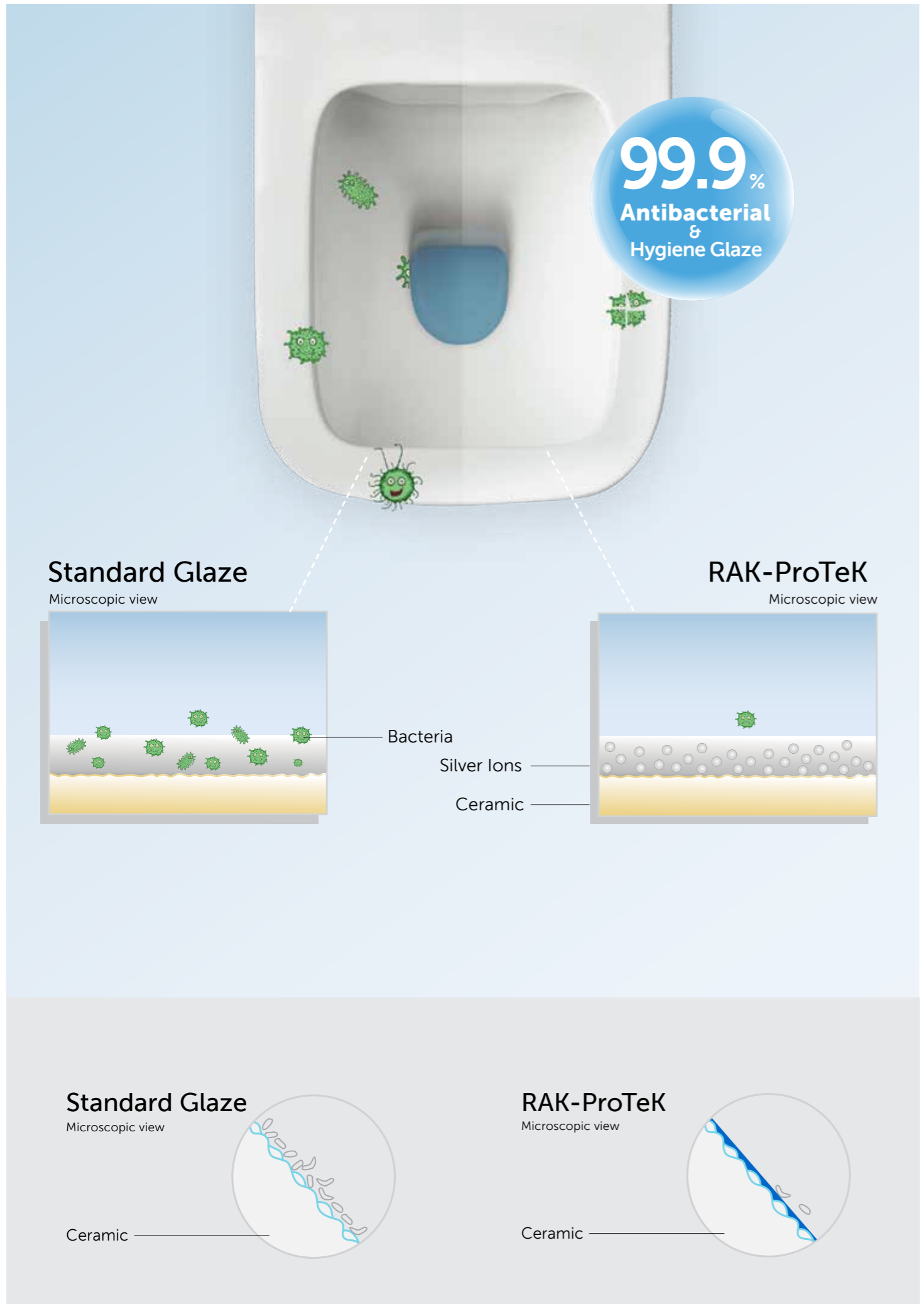


FOR BACK TO WALL AND FREE STANDING



FOR WALL HUNG

RAK-SANIT



A new standard for hygiene

RAK-Sanit solutions for your bathroom are produced with RAK-ProTeK, the innovative ceramic glaze developed to protect wash basins, toilets and urinals, to make them more hygienic and easier to clean. RAK-ProTeK, which is baked into the ceramic during firing, results to a smoother surface, unlike standard ceramic with irregular surface.

This feature allows the particulates accumulating on the ceramic to easily slip away making cleaning more efficient and convenient.

The silver ions contained in this revolutionary glaze, kill 99.9% of bacteria in 24 hours and prevent the bacterial growth, in comparison to conventional ceramic glazing. RAK-ProTeK glaze has been tested by Artest laboratory from the Italian Ceramic district in Modena.

Antibacterial Sanitaryware Seat and cover with RAK-ProTeK

RAK-Sanit integrates its offer of antibacterial toilets with sanitised seats that make the toilet even safer and more protected.

The seat and cover are treated with silver ions that kill 99.9% of bacteria and prevents it from spreading.

The range of RAK-Sanit seats and covers fit perfectly with each toilet included in the offer.





The Freestanding Revolution

Today, freestanding washbasins represent a new and important opportunity capable of combining design and fighting against the spread of bacteria. Going forward, this will be at the centre of a revolution in the approach to hygiene in both public and private places. Elegant in the classic bathroom area and functional if placed in the centre of large work environments or passageways. The freestanding solutions included in the RAK-Sanit program, in addition to being treated with RAK-ProTeK antibacterial enamel, have deeper bowls than the traditional suspended sink, with a consequent reduction of splashes and the potential spread of bacteria.



Freestanding Washbasins with RAK-ProTeK

Wash Basin



 36 CM
PETFS136009WHA



 36 CM
PETFS236009WHA



 55 CM
SENF55019WHA



RAK-Sensation with RAK-ProTeK

Wash Basin



55 CM
SENF55019WHA



60 CM
SENWB60019WHA

WC



62 CM
SENWC11469WHA
SENWT18009WHA

Comfort Height 42 CM



62 CM
SENWC11469WHA
SENWT18059WHA

Comfort Height 42 CM
Hidden Fixations



52 CM
SENWC13469WHA

Comfort Height 42 CM
Hidden Fixations



52 CM
SENWC14469WHA

SEAT & COVER FOR WC
RAK-Sensation with RAK-ProTeK
SENSC39019WH

Bidet



52 CM
SENB20159WHA

Comfort Height 42 CM
Hidden Fixations



52 CM
SENB21019WHA

Hidden Fixations



RAK-Resort with RAK-ProTeK

Wash Basin



55 CM
RST08019WHA
CY0103AWHA

WC



Rimless
60 CM
RST179WHA
RST109WHA



Rimless
55 CM
RST199WHA



Rimless
52 CM
RST239WHA

Hidden Fixations

SEAT & COVER FOR WC

RAK-Resort Slim with RAK-ProTeK
RESC00049WH

Bidet



55 CM
RST149WHA



52 CM
RST079WHA

Hidden Fixations



RAK-Metropolitan with RAK-ProTeK

Wash Basin



60 CM
MP08019WHA
MS0103AWHA

WC



62 CM
MP229WHA
MP209WHA



Rimless
52 CM
MP169WHA



52 CM
MP129WHA

SEAT & COVER FOR WC

RAK-Metropolitan Flat with RAK-ProTeK
MES00008

Bidet



52 CM
MP189WHA

Comfort Height 42 CM
Hidden Fixations



52 CM
MP099WHA

Hidden Fixations





RAK-Compact with RAK-ProTeK

Wash Basin



55 CM
CO08019WHA
CO0401AWHA

WC



64 CM
CO039WHA
CO109WHA



51 CM
CO179WHA



52 CM
CO139WHA

Back Open

SEAT & COVER FOR WC

RAK-Compact Urea Wrapover with RAK-ProTeK
YFG173A9WH

Bidet



52 CM
CO339WHA



51 CM
CO079WHA

RAK-FEELING

Imagine your ideal bathroom where quality and harmony merge with functionality to give you the utmost comfort and then imagine it in colour. **RAK-Feeling** is the complete collection of shower trays and washbasins, water closets and bidet, made with innovative materials and coordinate colours to perfect your moments of relaxation in a total look ambiance.

Immagina il tuo bagno ideale, dove qualità, armonia delle forme e funzionalità si fondono per restituirti il massimo comfort. Ed ora immaginalo a colori. **RAK-Feeling** è la gamma completa di piatti doccia, lavabi e sanitari realizzati in materiali innovativi e colori coordinate per rendere perfetti i tuoi momenti di relax in un ambiente total look.

Imaginez votre salle de bains idéale, où se fondent la qualité, l'harmonie des formes et la fonctionnalité, pour restituer le confort maximal. Et maintenant, imaginez-la en couleurs. **RAK-Feeling** est la gamme complète de receveurs de douche, de lavabos et d'objets sanitaires, réalisés en matériaux innovants et en couleurs coordonnées, pour rendre parfaits vos moments de relax dans un espace total look.

Stellen Sie sich Ihr ideales Bad vor, in dem Qualität, Formharmonie und Funktionalität verschmelzen, um den maximalen Komfort zu bieten. Und nun stellen Sie es sich in Farbe vor. **RAK-Feeling** ist die komplette Bandbreite an Duschwannen, Waschbecken und Sanitärgegenständen, aus innovativen Materialien und angepassten Farben, um Ihre Entspannungsmomente in einem total look - Raum perfekt zu gestalten.

«Представьте себе вашу идеальную ванную комнату, в которой качество, гармония форм и функциональность сливаются, чтобы дать вам максимальный комфорт. А теперь представьте ее в цвете. Коллекция **RAK-Feeling** включает в себя широкий ассортимент душевых поддонов, умывальников и сантехники, изготовленных из инновационных материалов широкой гаммы цветов, которые делают моменты Вашего отдыха идеальными в атмосфере полного расслабления и наслаждения чувственными оттенками Вашей обстановки.



55 CM
FEECT5500514A

514

52 CM
RST23514A

514

52 CM
RST07514A

514



70 x 100 CM (Rectangular)
RFST0701005514

514

COLORS AND FINISHES

MATT WHITE (500)



MATT GREIGE (505)



MATT CAPPUCCINO (514)



MATT GREY (503)






MATT BLACK (504)



COLORS AND FINISHES



- 
52 CM
 RST23514A
- 
55 CM
 FEECT5500514A
- 
RFST080140S514
 80X140 CM (Rectangular)

RAK
CERAMICS

MATT WHITE (500)

RAK
CERAMICS

MATT GREIGE (505)

RAK
CERAMICS

MATT CAPPUCCINO (514)

RAK
CERAMICS

MATT GREY (503)

RAK
CERAMICS

MATT BLACK (504)

RAK
CERAMICS

MATT WHITE (500)

RAK
CERAMICS

MATT GREIGE (505)

RAK
CERAMICS

MATT CAPPUCCINO (514)

RAK
CERAMICS

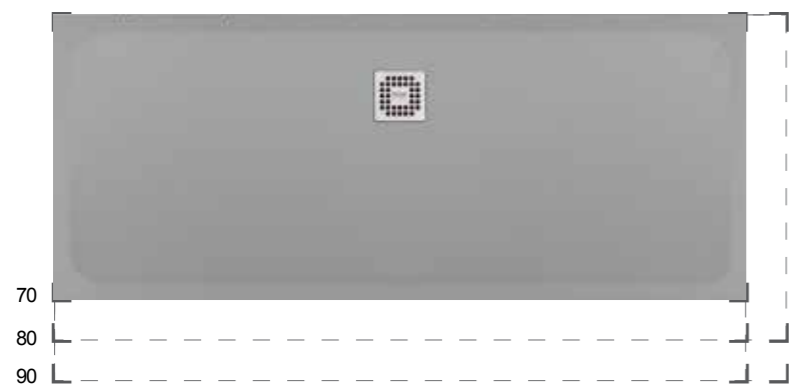
MATT GREY (503)

RAK
CERAMICS

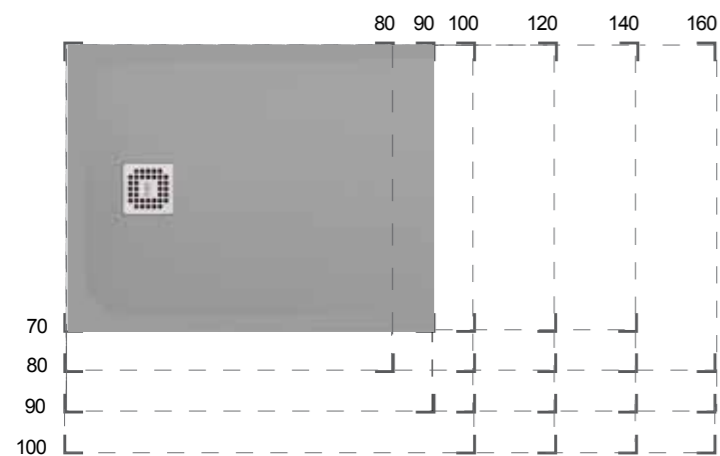
MATT BLACK (504)

PRODUCT RANGE

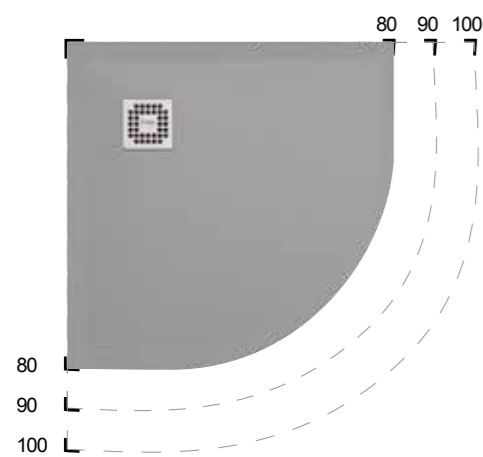
BATHTUB REPLACEMENT




RECTANGULAR




QUADRANT



 50 CM (Rectangular)
FEECT5000504A



 70 x 140 CM (Rectangular)
RFST070140S504



Models | Modelli | Modèles | Modelle | Модели



50 CM
FEECT5000514A

Rectangular



55 CM
FEECT5500514A

Oval



42 CM
FEECT4200514A

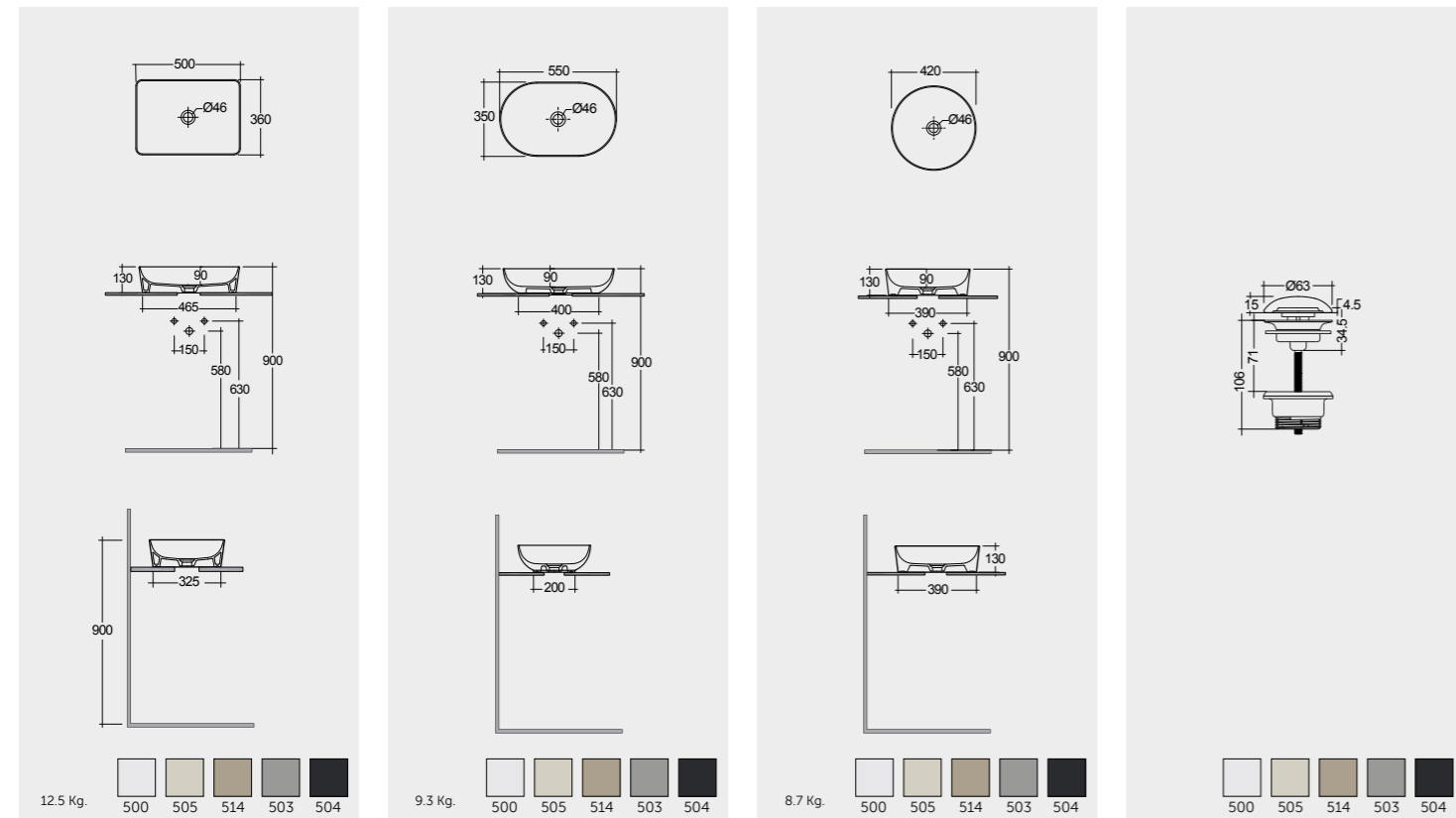
Round



Ceramic Click-Clack Pop-Up Waste
DUO000514A

Ceramic Free-Flow Waste
DUO002514A

Measurements | Misure | Dimensions | Abmessungen | Размеры



Note | Nota | Remarque | Hinweis | Примечание

All dimensions in mm tolerance $\pm 5\%$ for below 200mm and $\pm 3\%$ for above 200mm | Tutte le dimensioni hanno una tolleranza di $\pm 5\%$ mm al di sotto dei 200mm e di $\pm 3\%$ mm al disopra dei 200mm | Toutes les dimensions en mm tolérance $\pm 5\%$ pour moins de 200mm et $\pm 3\%$ pour plus de 200mm/ Alle Abmessungen in mm, Toleranz $\pm 5\%$ für unter 200mm, und $\pm 3\%$ für über 200mm | Все размеры указаны в мм, погрешность $\pm 5\%$ ниже 200 мм и $\pm 3\%$ выше 200 мм



55 CM
FEECT5500504A

504

Models | Modelli | Modèles | Modelle | Модели



55 CM
RST19514A

52 CM
RST23514A

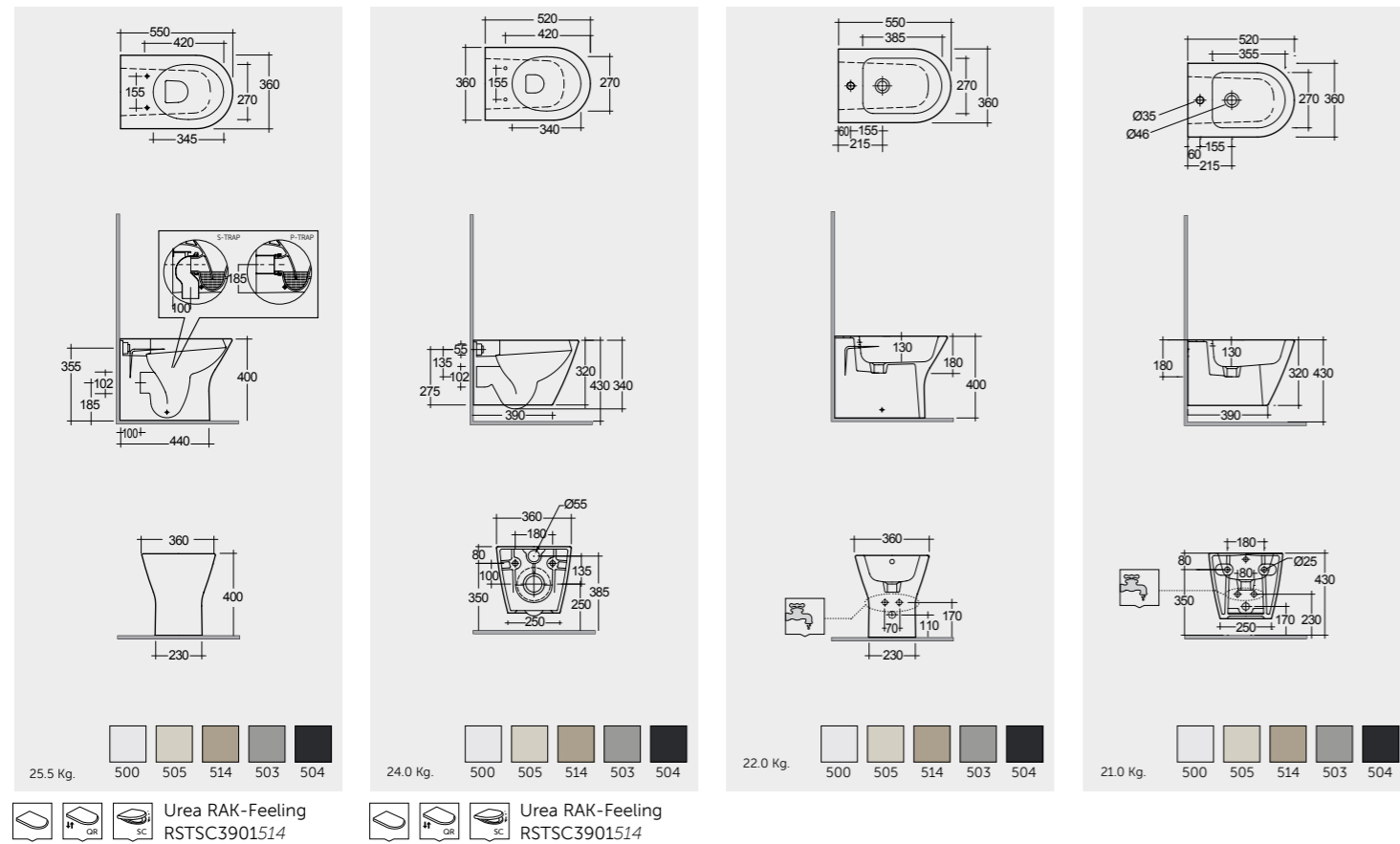
55 CM
RST14514A

52 CM
RST07514A

Hidden Fixations

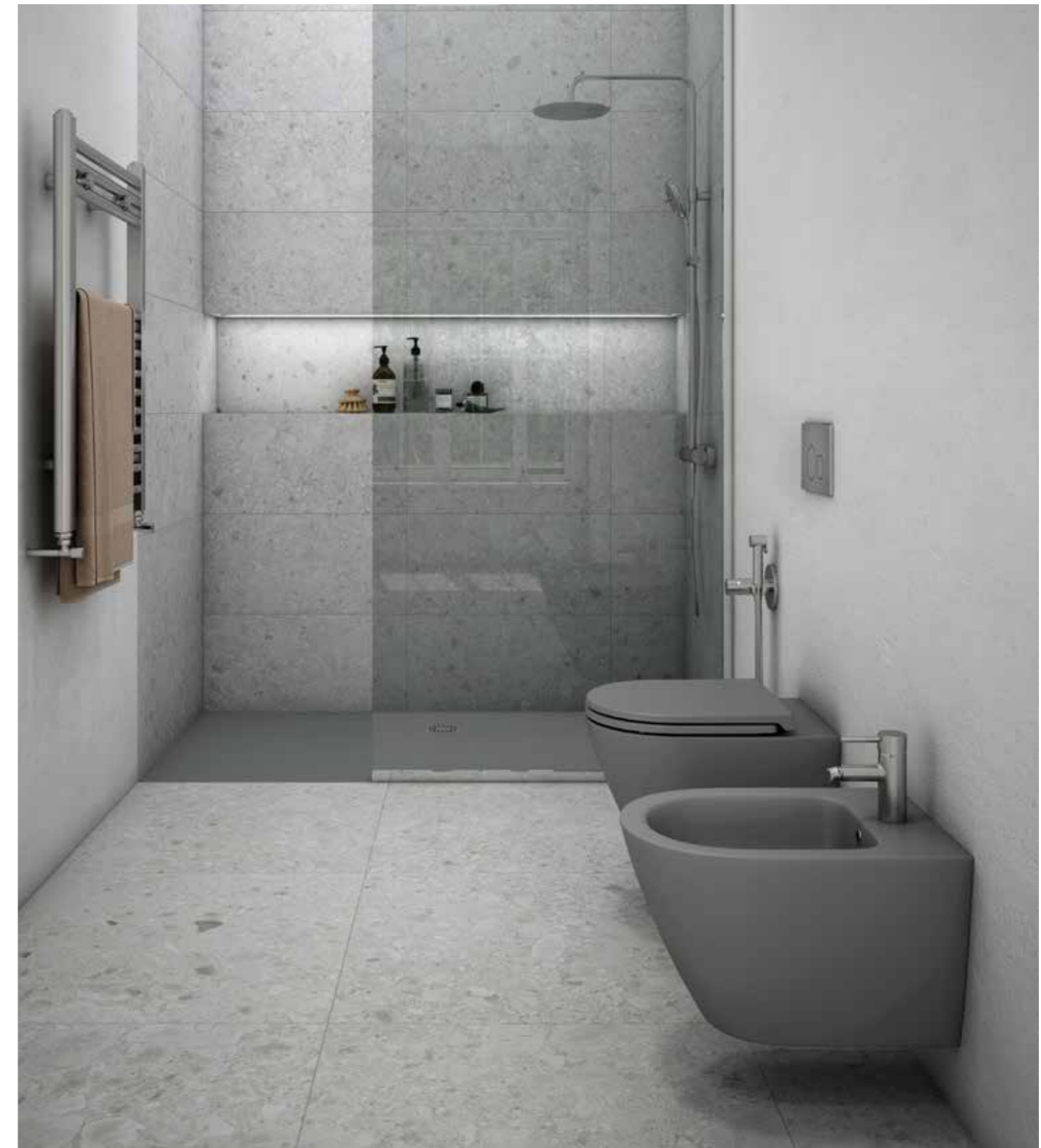
Hidden Fixations

Measurements | Misure | Dimensions | Abmessungen | Размеры



Note | Nota | Remarque | Hinweis | Примечание

All dimensions in mm tolerance $\pm 5\%$ for below 200mm and $\pm 3\%$ for above 200mm | Tutte le dimensioni hanno una tolleranza di $\pm 5\%$ mm al di sotto dei 200mm e di $\pm 3\%$ mm al di sopra dei 200mm | Toutes les dimensions en mm tolérance $\pm 5\%$ pour moins de 200mm et $\pm 3\%$ pour plus de 200mm/ Alle Abmessungen in mm, Toleranz $\pm 5\%$ für unter 200mm, und $\pm 3\%$ für über 200mm | Все размеры указаны в мм, погрешность $\pm 5\%$ ниже 200 мм и $\pm 3\%$ выше 200 мм

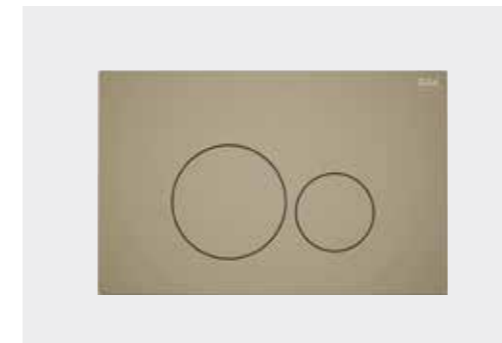


52 CM
RST23503A

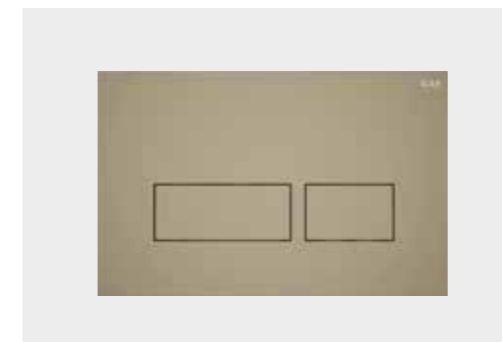
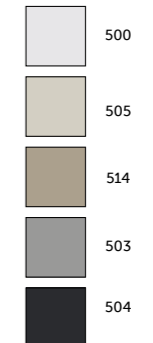
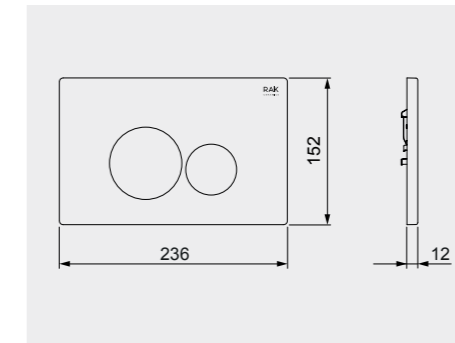
52 CM
RST07503A



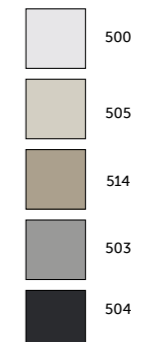
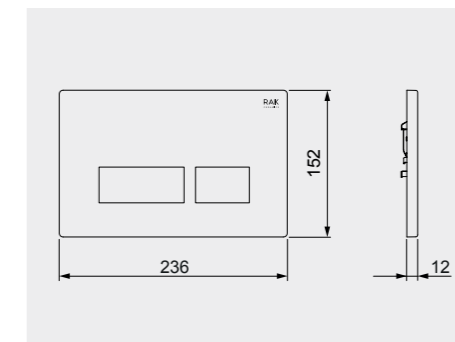
 **ROUND**
FSRAKPPL003504



 **ROUND** FSRAKPPL003514

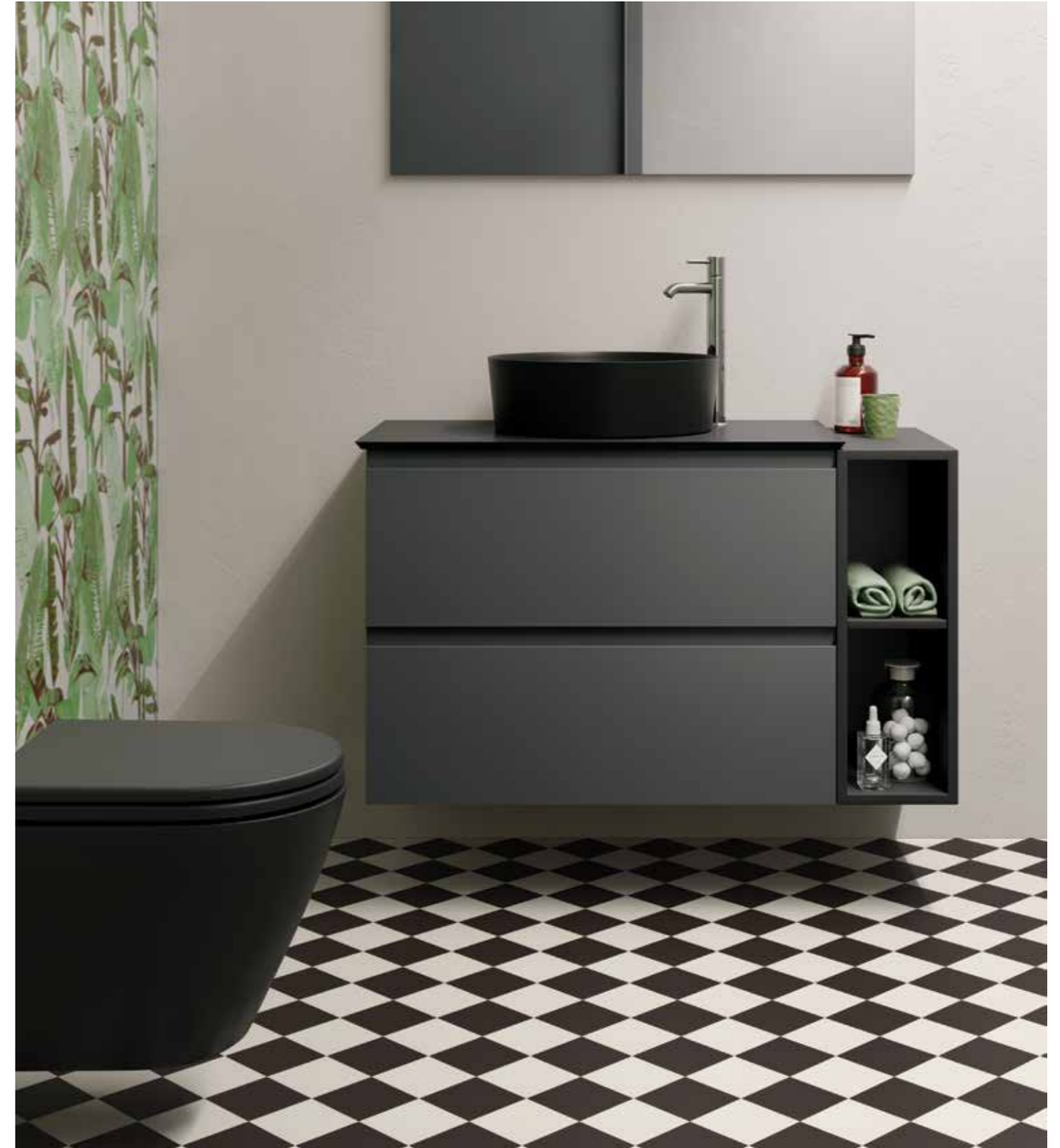


 **RECTANGULAR** FSRAKPPL006514





55 CM RST19500A 500 55 CM RST14500A 500



42 CM FEECT4200504A 504 52 CM RST23504A 504

BATHROOM SUITES
COLLEZIONI BAGNO
SALLES DE BAINS
BADEZIMMERAUSSTATTUNGEN
КОМПЛЕКТЫ ДЛЯ ВАННОЙ

RAK-CLOUD

Fluid lines inspired by geometric swirls combined with changing shapes like clouds lend themselves to multiple interpretations and play with light, producing a soft enveloping effect, culminating in a sophisticated but at the same time functional and welcoming bathroom. All this makes **RAK-Cloud** a concept with a soul, capable of telling a unique and inimitable story. Back to wall, or wall-hung sanitaryware, elegant freestanding bathtubs and washbasins, softly curved bowls or wall solutions for every need.

Linee fluide ispirate da volute geometriche, forme mutevoli come nuvole che si prestano a molteplici interpretazioni e che giocano con la luce restituendo un effetto morbido, avvolgente, ideale per un ambiente bagno raffinato ma al tempo stesso funzionale ed accogliente. Tutto questo fa di **RAK-Cloud** un concept con un'anima, capace di raccontare una storia unica ed inimitabile. Sanitari a parete o sospesi, eleganti vasche e lavabi freestanding, morbide ciotole o soluzioni a parete per ogni tipo di esigenza.

Lignes fluides inspirées par des méandres géométriques, formes mutables comme les nuages qui se prêtent à des interprétations multiples, et qui jouent avec la lumière, en restituant un effet doux et exaltant, idéal pour les salles de bains raffinées, mais à la fois fonctionnelles et accueillantes. Tout cela fait de **RAK-Cloud** un concept doté d'une âme, capable de raconter une histoire unique et inimitable. Objets sanitaires au mur ou suspendus, baignoires élégantes et lavabos freestanding, cuvettes légères ou solutions au mur pour tout

Fließende Linien, inspiriert durch geometrische Wendungen, wechselnde Formen, wie Wolken, die zu zahlreichen Interpretationen verführen und mitreißende Wirkung erzeugen, ideal für raffinierte und doch funktionelle und einladende Bäder. All das macht aus **RAK-Cloud** ein Konzept mit Seele, das fähig ist, eine einzigartige und unnachahmbare Geschichte zu erzählen. Sanitäre Wand- oder Hängeobjekte, elegante Badewannen und freistehende Waschbecken, leichte Badeschalen oder Wandlösungen für jeden Anspruch.

Плавные линии, пронизанные геометрическими завитками и меняющие свои очертания как облака, дают множество форм и игру света, создавая эффект мягкого обволакивания, кульминацией которого является изысканная, но в то же время функциональная и уютная ванная комната. Всё это делает концепцию **RAK-Cloud** живой, обладающей душой, способной рассказать уникальную и неповторимую историю. Приставные или подвесные унитазы, отдельностоящие элегантные ванны, умывальники с мягко изогнутыми краями или настенные решения позволяют удовлетворить потребности каждого.



50 CM
CLOFS5001500A



140x75 CM
CLOBT14075500



78x46 CM
CLOMR07846

Design Giuseppe Maurizio Scutellà

Giuseppe Maurizio Scutellà was born in Alcamo, Sicily. His collaboration with RAK Ceramics begins with RAK-Cloud (2018), a project that continues the creative thinking of the Italian designer and that integrates perfectly with his other projects such as the collection of lamps "Pirce" by Artemide (Good_Design 2008, Red Dot Award 2009, IF Design Award 2010) and the "Metropolis" collection of crystal and ceramic tables by Tonelli Design.

"I like to talk with the soul of all my projects, discover its history and capturing the most hidden hues of its character, respecting its nature and embracing its languages. It is my way of approaching its magical essence and becoming its interpreter".



Giuseppe Maurizio Scutellà
Designer

Models | Modelli | Modèles | Modelle | Модели



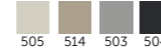
140X75 CM
CLOBT14075500

Drain Included

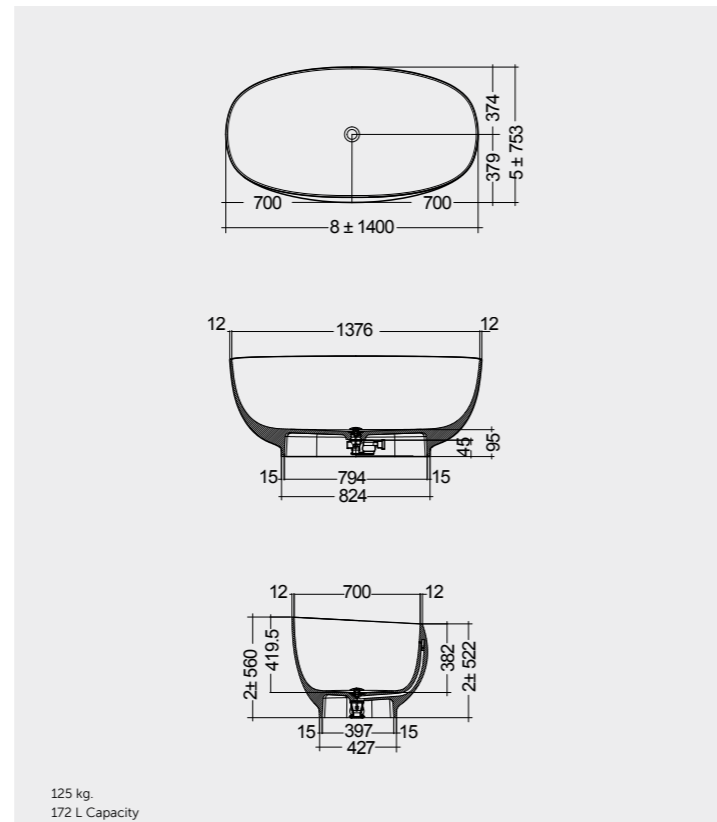
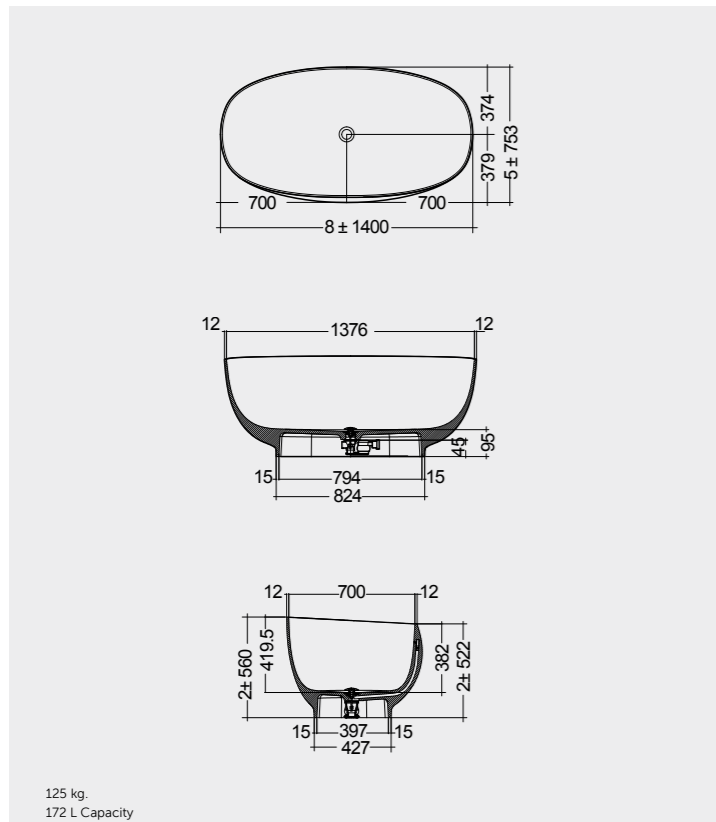


140X75 CM
CLOBT14075505

Drain Included



Measurements | Misure | Dimensions | Abmessungen | Размеры



Note | Nota | Remarque | Hinweis | Примечание

All dimensions in mm tolerance ±5% for below 200mm and ±3% for above 200mm | Tutte le dimensioni hanno una tolleranza di ±5% mm al di sotto dei 200mm e di ±3% mm al disopra dei 200mm | Toutes les dimensions en mm tolérance ±5% pour moins de 200mm et ±3% pour plus de 200mm/ Alle Abmessungen in mm, Toleranz ±5% für unter 200mm, und ±3% für über 200mm | Все размеры указаны в мм, погрешность ±5% ниже 200 мм и ±3% выше 200 мм



140x75 CM
CLOBT14075500

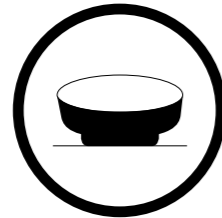


DESIGN AND FUNCTIONALITY

RAK-Cloud bathtubs are made of RAKSOLID, a durable material composed of a mixture of natural minerals and resins. The elegant matte white finish gives a distinctive feel to the bathing area, as well as a pleasant to the touch and more anti-slip safety.



PLEASANT TO TOUCH
PIACEVOLE AL TATTO
AGRÉABLE À TOUCHER
ANGENEHM ZUM TASTEN
ПРИЯТНО ПРИКАСАТЬСЯ



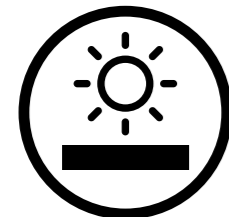
EXTERNAL LACQUERING
LACCATURA ESTERNA
LAQUAGE EXTÉRIEUR
AUSSENLACKIERUNG
ВНЕШНЯЯ ЛАКИРОВКА



HYGIENIC AND BACTERIOSTATIC
IGIENICO E BATTERIOSTATICO
HYGIÉNIQUE ET BACTÉRIOSTATIQUE
HYGIENISCH UND BAKTERIOSTATISCH
ГИГИЕНИЧНО И БАКТЕРИОСТАТИЧНО



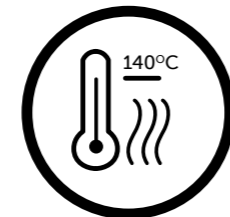
SLIP RESISTANCE
ANTISCIVOLO
ANTI GLISSANT
RUTSCHFEST
СОПРОТИВЛЯЕМОСТЬ СКОЛЬЖЕНИЮ



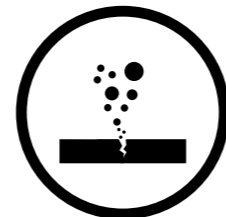
LIGHT FASTNESS
RESISTENTE ALLE VARIAZIONI DI LUCE
RÉSISTANT AUX VARIATIONS DE LUMIÈRE
RESISTENT GEGEN LICHTWECHSELWIRKUNGEN
СВЕТСТОЙКОСТЬ



RESISTANT TO CHEMICAL PRODUCTS
RESISTENTE AI PRODOTTI CHIMICI
RÉSISTANT AUX PRODUITS CHIMIQUES
RESISTENT GEGEN CHEMISCHE PRODUKTE
СОПРОТИВЛЯЕМОСТЬ ХИМИЧЕСКИМ ПРОДУКТАМ



HEAT RESISTANT UP TO 140°C
RESISTENZA AL CALORE FINO A 140°
RÉSISTANCE À LA CHALEUR JUSQU'À 140°
HITZBESTÄNDIGKEIT BIS 140°
СОПРОТИВЛЯЕМОСТЬ НАГРЕВУ (ДО 140°C)



REPAIR
RIPARABILE IN CASO DI GRAFFI
RÉPARABLES EN CAS D'ÉGRATIGNURES
REPARIERBAR BEI KRATZERN
ВОССТАНОВЛЕНИЕ



MATT WHITE (500)

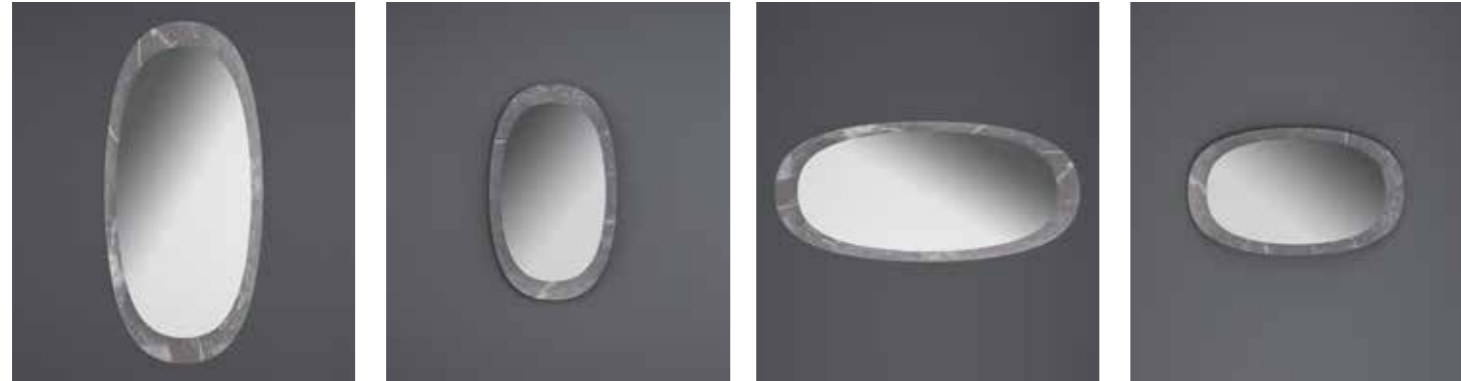
MATT GREIGE (505)

MATT CAPPUCCINO (514)

MATT GREY (503)

MATT BLACK (504)

Models | Modelli | Modèles | Modelle | Модели



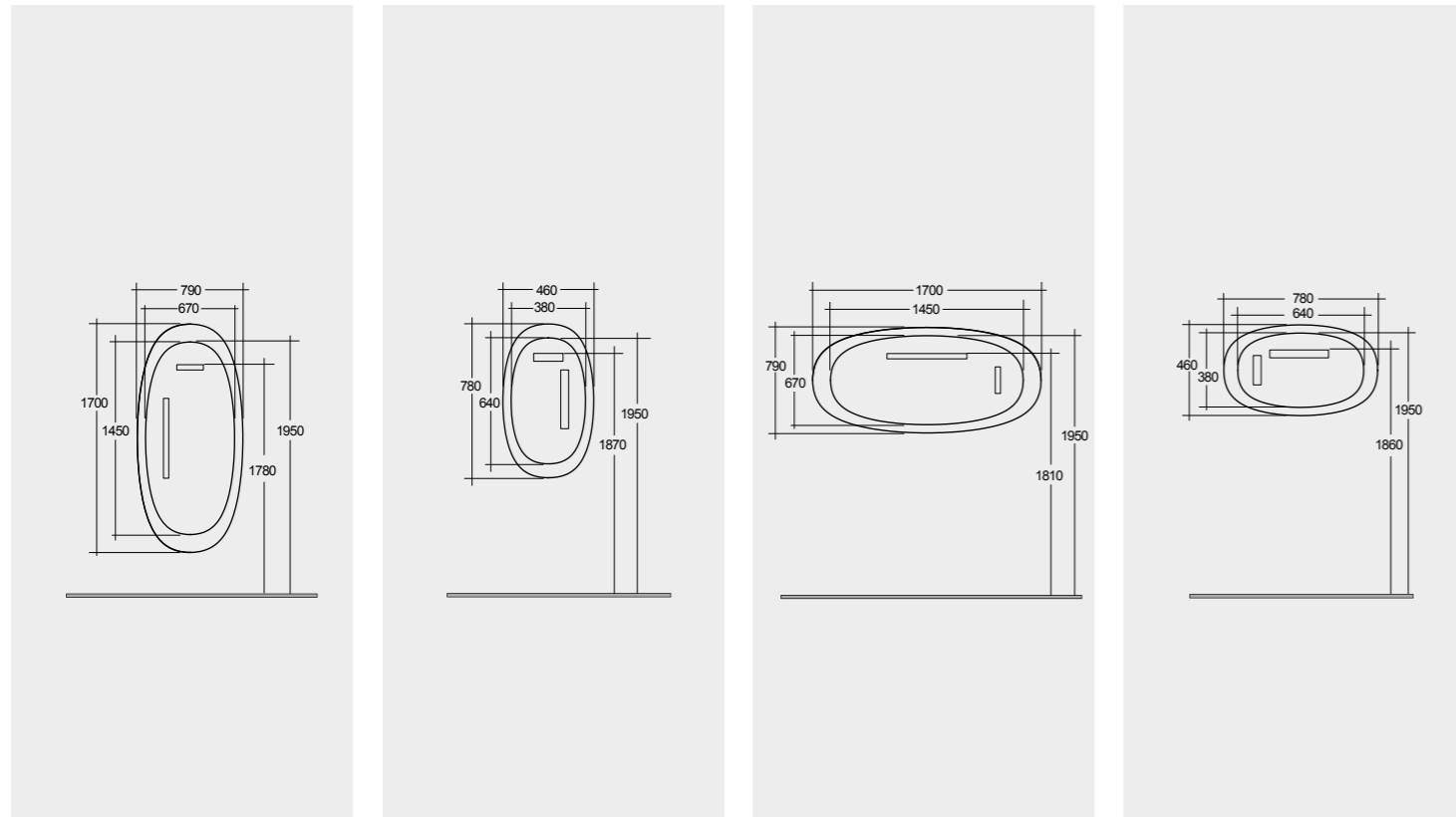
170x79 CM
CLOMR17079

78x46 CM
CLOMR07846

170x79 CM
CLOMR17079

78x46 CM
CLOMR07846

Measurements | Misure | Dimensions | Abmessungen | Размеры



Note | Nota | Remarque | Hinweis | Примечание

All dimensions in mm tolerance $\pm 5\%$ for below 200mm and $\pm 3\%$ for above 200mm | Tutte le dimensioni hanno una tolleranza di $\pm 5\%$ mm al di sotto dei 200mm e di $\pm 3\%$ mm al di sopra dei 200mm | Toutes les dimensions en mm tolérance $\pm 5\%$ pour moins de 200mm et $\pm 3\%$ pour plus de 200mm/ Alle Abmessungen in mm, Toleranz $\pm 5\%$ für unter 200mm, und $\pm 3\%$ für über 200mm | Все размеры указаны в мм, погрешность $\pm 5\%$ ниже 200 мм и $\pm 3\%$ выше 200 мм



55 CM
CLOWB5501AWHA

78x46 CM
CLOMR07846

Models | Modelli | Modèles | Modelle | Модели



50 CM
CLOFS5001AWHA



50 CM
CLOFS55001500A



Matt Finish



FREE-FLOW WASTE
DUO002444



FOR WASH BASIN
PP WHITE : BTRWBPPR020

Hidden Fixations

Hidden Fixations

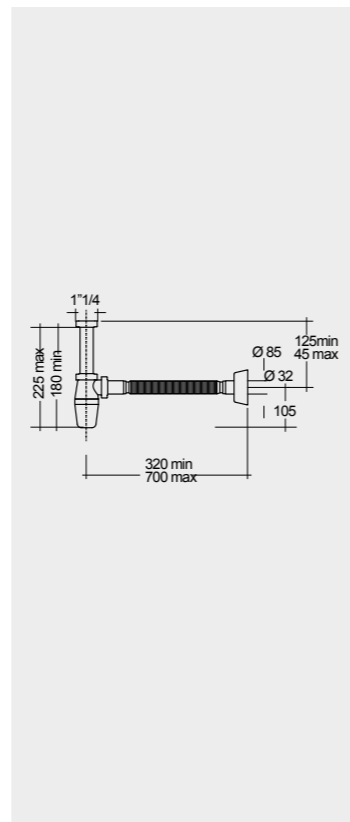
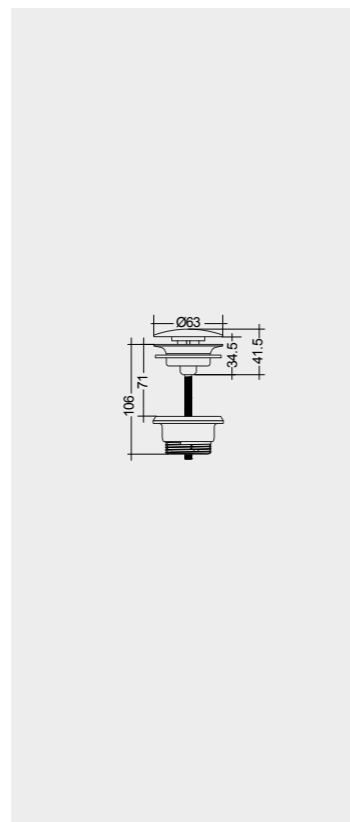
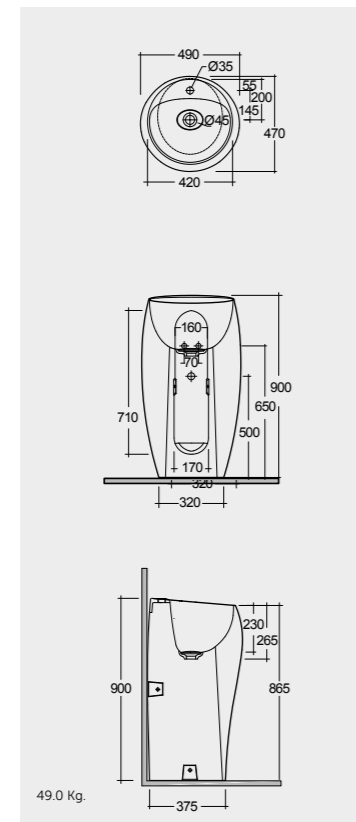
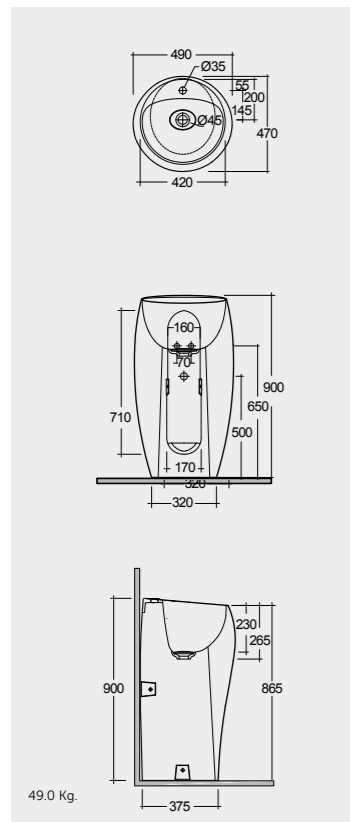
With Flexible Hose

Ceramic Waste Cover CLOAC4400AWHA

Ceramic Waste Cover CLOAC4400500A

Inspectionable

Measurements | Misure | Dimensions | Abmessungen | Размеры



Note | Nota | Remarque | Hinweis | Примечание

All dimensions in mm tolerance $\pm 5\%$ for below 200mm and $\pm 3\%$ for above 200mm | Tutte le dimensioni hanno una tolleranza di $\pm 5\%$ mm al di sotto dei 200mm e di $\pm 3\%$ mm al di sopra dei 200mm | Toutes les dimensions en mm tolérance $\pm 5\%$ pour moins de 200mm et $\pm 3\%$ pour plus de 200mm/ Alle Abmessungen in mm, Toleranz $\pm 5\%$ für unter 200mm, und $\pm 3\%$ für über 200mm | Все размеры указаны в мм, погрешность $\pm 5\%$ ниже 200 мм и $\pm 3\%$ выше 200 мм



50 CM
CLOFS5001500A

56 CM
CLOWC1446500A

78x46 CM
CLOMR07846

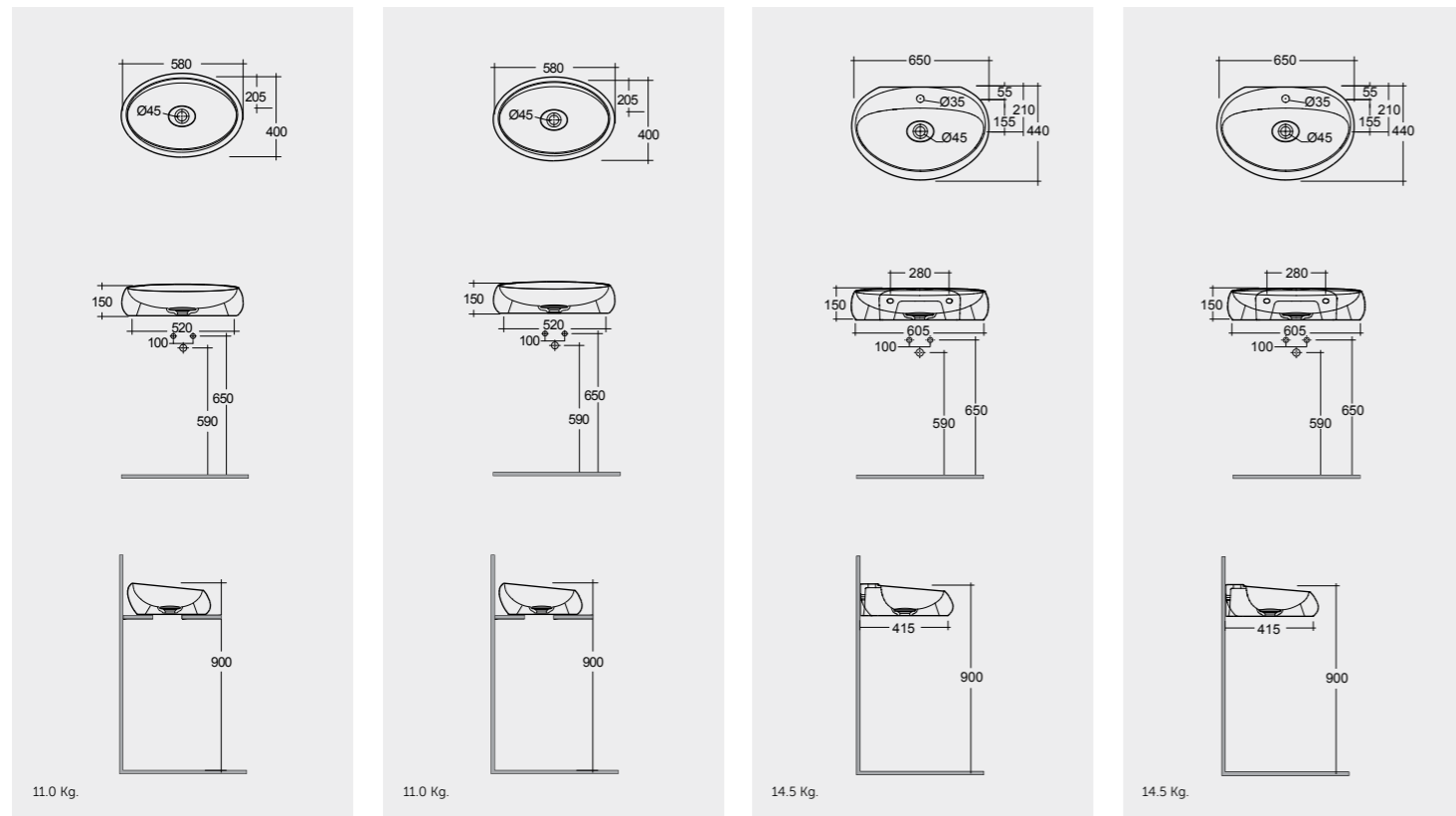
Models | Modelli | Modèles | Modelle | Модели



58 CM CLOCT6000AWHA AWH 58 CM CLOCT6000500A 500 Matt Finish
 65 CM CLOWB6501AWHA AWH 65 CM CLOWB6501500A 500 Matt Finish

Ceramic Waste Cover CLOAC4400AWHA Ceramic Waste Cover CLOAC4400500A Ceramic Waste Cover CLOAC4400AWHA Ceramic Waste Cover CLOAC4400500A

Measurements | Misure | Dimensions | Abmessungen | Размеры



Note | Nota | Remarque | Hinweis | Примечание

All dimensions in mm tolerance $\pm 5\%$ for below 200mm and $\pm 3\%$ for above 200mm | Tutte le dimensioni hanno una tolleranza di $\pm 5\%$ mm al di sotto dei 200mm e di $\pm 3\%$ mm al disopra dei 200mm | Toutes les dimensions en mm tolérance $\pm 5\%$ pour moins de 200mm et $\pm 3\%$ pour plus de 200mm/ Alle Abmessungen in mm, Toleranz $\pm 5\%$ für unter 200mm, und $\pm 3\%$ für über 200mm | Все размеры указаны в мм, погрешность $\pm 5\%$ ниже 200 мм и $\pm 3\%$ выше 200 мм

Models | Modelli | Modèles | Modelle | Модели

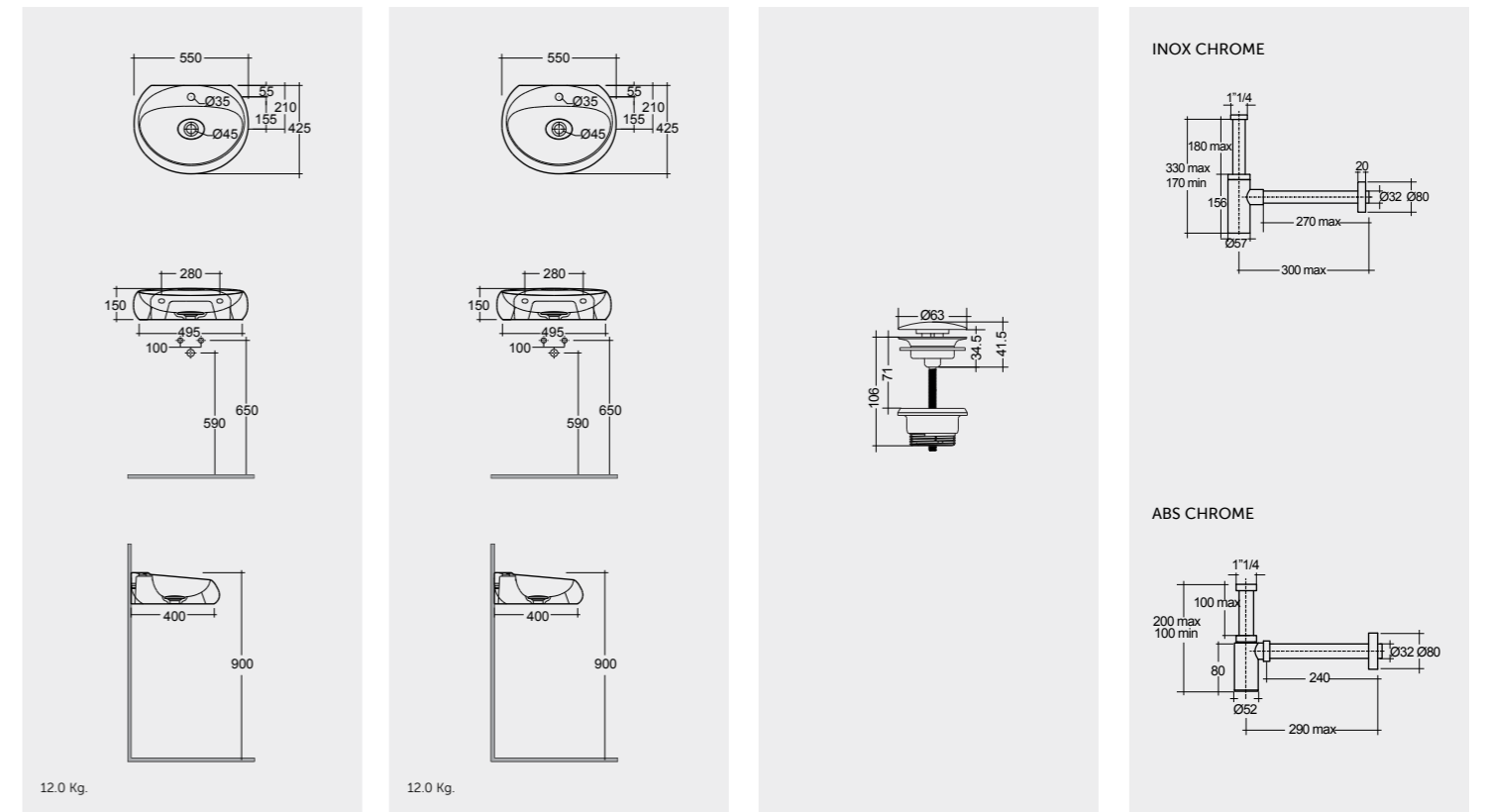


55 CM CLOWB5501AWHA AWH 55 CM CLOWB5501500A 500 Matt Finish
 FREE-FLOW WASTE DUO002444
 FOR WASH BASIN INOX CHROME : BTRWBSST001
 FOR WASH BASIN ABS CHROME : BTRWBABS002

Ceramic Waste Cover CLOAC4400AWHA Ceramic Waste Cover CLOAC4400500A

Inspectionable

Measurements | Misure | Dimensions | Abmessungen | Размеры



Note | Nota | Remarque | Hinweis | Примечание

All dimensions in mm tolerance $\pm 5\%$ for below 200mm and $\pm 3\%$ for above 200mm | Tutte le dimensioni hanno una tolleranza di $\pm 5\%$ mm al di sotto dei 200mm e di $\pm 3\%$ mm al disopra dei 200mm | Toutes les dimensions en mm tolérance $\pm 5\%$ pour moins de 200mm et $\pm 3\%$ pour plus de 200mm/ Alle Abmessungen in mm, Toleranz $\pm 5\%$ für unter 200mm, und $\pm 3\%$ für über 200mm | Все размеры указаны в мм, погрешность $\pm 5\%$ ниже 200 мм и $\pm 3\%$ выше 200 мм

RAK-CLOUD WITH RAK-PRECIOUS SURFACES



63 CM
PRESL06347106A

Suitable for RAK-Cloud WB :
58 CM



83 CM
PRESL08347106A

Suitable for RAK-Cloud WB :
58 CM



103 CM
PRESL10347106A

Suitable for RAK-Cloud WB :
58 CM



123 CM
PRESL12347106A

Suitable for RAK-Cloud WB :
58 CM



163 CM
PRESL16347106A

Suitable for RAK-Cloud WB :
58 CM



FOR VANITY
PP WHITE : BTRWBPPR021

Inspectionable
Compact Height



203 CM
PRESL20347106A

Suitable for RAK-Cloud WB :
58 CM

RAK-PRECIOUS - COLORS AND FINISHES

RAK-PRECIOUS - FINITURE E COLORI | RAK-PRECIOUS - FINITURES ET COULEURS | RAK-PRECIOUS - OBERFLÄCHEN UND FARBEN | RAK-PRECIOUS - ЦВЕТА И ОТДЕЛКА

	106 BLU DEL BELGIO (LAPPATO)		103 SURFACE XL COOL GREY (NATURAL)
	100 CARRARA (LAPPATO)		104 BEHIND GREY (NATURAL)
	101 MACAUBAS (NATURAL)		105 UNI DARK BLACK (NATURAL)
	102 TRAVERTINO IVORY (LAPPATO)		



58 CM
CLOCT6000AWHA

163 CM
PRESL16347106A

W 100 x D 46 x H 60CM
JOYWH100PWH

78x46 CM
CLOMR07846

RAK-CLOUD WITH RAK-PRECIOUS SURFACES



63 CM
PRESL06347106E

Suitable for RAK-Cloud WB :
55 CM



83 CM
PRESL08347106E

Suitable for RAK-Cloud WB :
55, 65 CM



103 CM
PRESL10347106E

Suitable for RAK-Cloud WB :
55, 65 CM



123 CM
PRESL12347106E

Suitable for RAK-Cloud WB :
55 CM



163 CM
PRESL16347106E

Suitable for RAK-Cloud WB :
55, 65 CM



FOR VANITY
PP WHITE : BTRWBPPR021

Inspectionable
Compact Height



203 CM
PRESL20347106E

Suitable for RAK-Cloud WB :
55, 65 CM

RAK-PRECIOUS - COLORS AND FINISHES

RAK-PRECIOUS - FINITURE E COLORI | RAK-PRECIOUS - FINITURES ET COULEURS |
RAK-PRECIOUS - OBERFLÄCHEN UND FARBEN | RAK-PRECIOUS - ЦВЕТА И ОТДЕЛКА

	106 BLU DEL BELGIO (LAPPATO)		103 SURFACE XL COOL GREY (NATURAL)
	100 CARRARA (LAPPATO)		104 BEHIND GREY (NATURAL)
	101 MACAUBAS (NATURAL)		105 UNI DARK BLACK (NATURAL)
	102 TRAVERTINO IVORY (LAPPATO)		



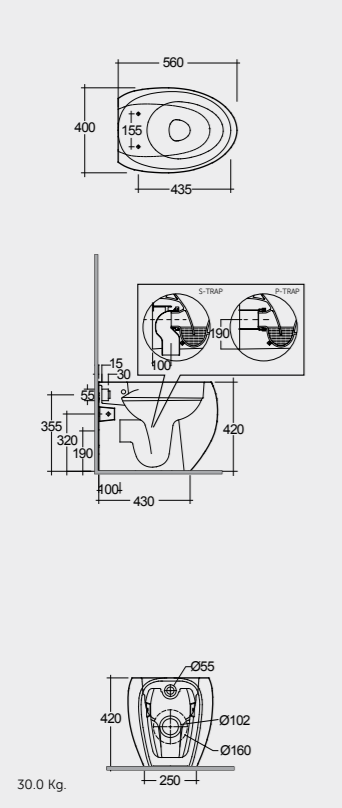
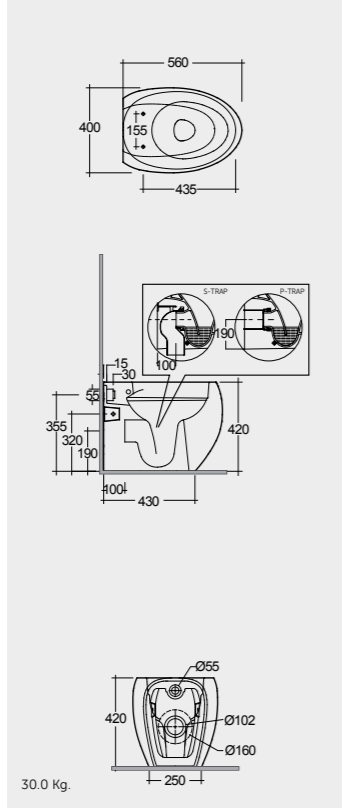
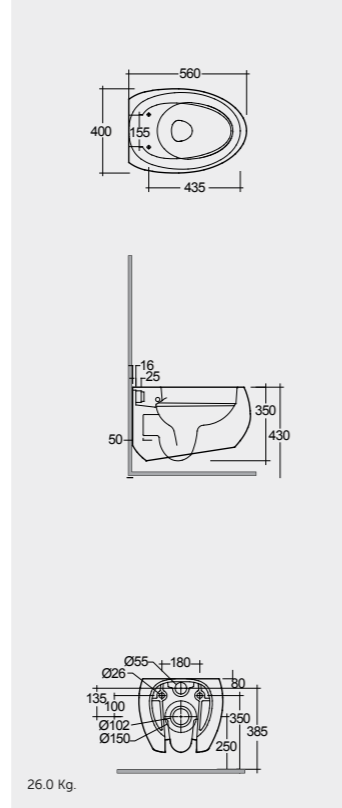
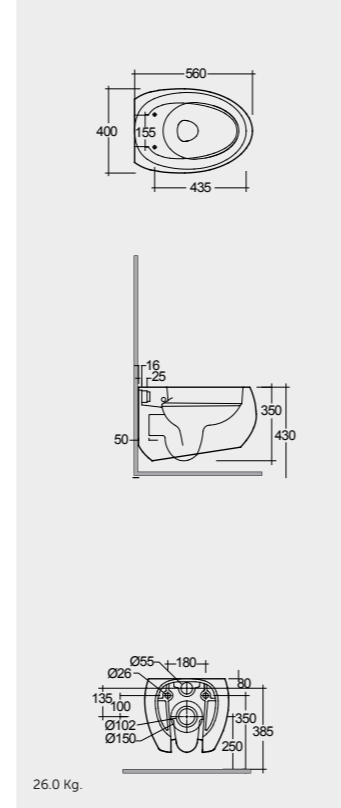
RAK-PRECIOUS
COUNTER TOP SURFACES

65 CM CLOWB6501AWHA | 163 CM PRESL16347106A | W 100 x D 46 x H 60CM JOYWH100PWH | 78x46 CM CLOMR07846

Models | Modelli | Modèles | Modelle | Модели

 Rimless	 Rimless	 Rimless	 Rimless
 56 CM CLOWC1346AWHA	 56 CM CLOWC1346500A	 56 CM CLOWC1446AWHA	 56 CM CLOWC1446500A
Hidden Fixations Comfort Height 42 CM	Hidden Fixations Comfort Height 42 CM	Hidden Fixations	Hidden Fixations

Measurements | Misure | Dimensions | Abmessungen | Размеры

			
Urea RAK-Cloud CLOSC3901WH	Urea RAK-Cloud CLOSC3901500	Urea RAK-Cloud CLOSC3901WH	Urea RAK-Cloud CLOSC3901500

Note | Nota | Remarque | Hinweis | Примечание

All dimensions in mm tolerance $\pm 5\%$ for below 200mm and $\pm 3\%$ for above 200mm | Tutte le dimensioni hanno una tolleranza di $\pm 5\%$ mm al di sotto dei 200mm e di $\pm 3\%$ mm al di sopra dei 200mm | Toutes les dimensions en mm tolérance $\pm 5\%$ pour moins de 200mm et $\pm 3\%$ pour plus de 200mm/ Alle Abmessungen in mm, Toleranz $\pm 5\%$ für unter 200mm, und $\pm 3\%$ für über 200mm | Все размеры указаны в мм, погрешность $\pm 5\%$ ниже 200 мм и $\pm 3\%$ выше 200 мм

Models | Modelli | Modèles | Modelle | Модели

		
SET WITH MIXER (SHATAFF) BRASS CHROME : SPRDOMX0001	 56 CM CLOWC1346AWHA	 56 CM CLOBD2015AWHA
	 140X75 CM CLOBT14075503	

Models | Modelli | Modèles | Modelle | Модели



56 CM
CLOBD2015AWHA



56 CM
CLOBD2015500A



56 CM
CLOBD2101AWHA



56 CM
CLOBD2101500A



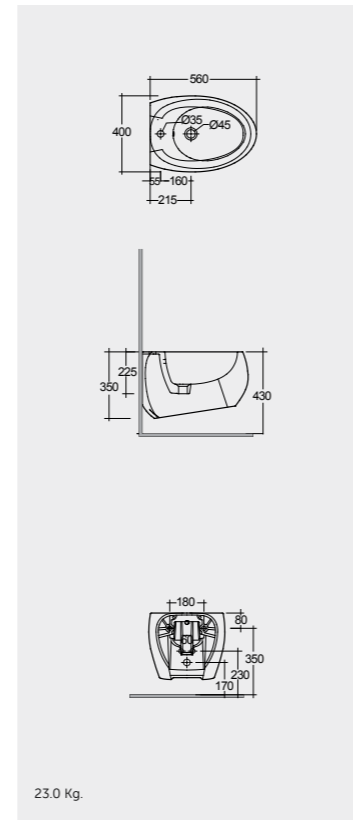
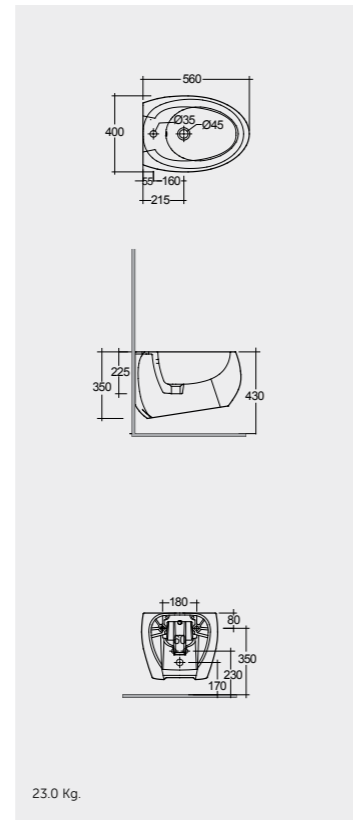
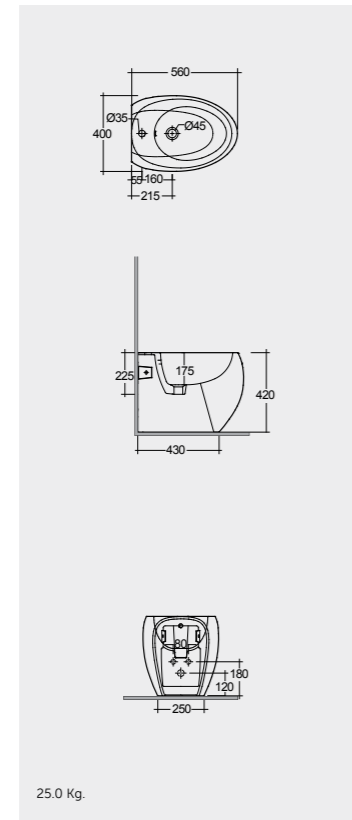
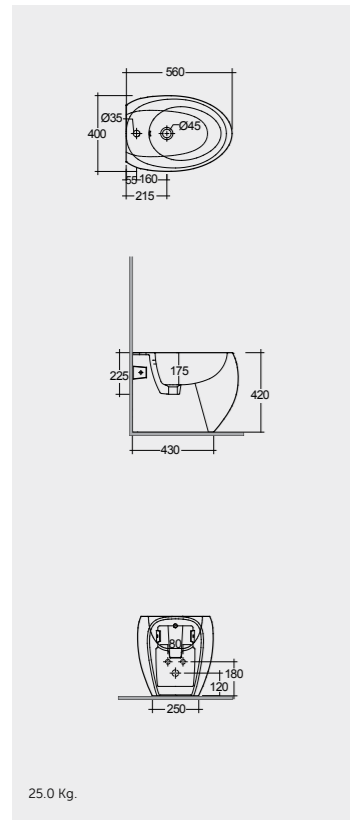
Hidden Fixations
Comfort Height 42 CM

Hidden Fixations
Comfort Height 42 CM

Hidden Fixations

Hidden Fixations

Measurements | Misure | Dimensions | Abmessungen | Размеры



Note | Nota | Remarque | Hinweis | Примечание

All dimensions in mm tolerance $\pm 5\%$ for below 200mm and $\pm 3\%$ for above 200mm | Tutte le dimensioni hanno una tolleranza di $\pm 5\%$ mm al di sotto dei 200mm e di $\pm 3\%$ mm al di sopra dei 200mm | Toutes les dimensions en mm tolérance $\pm 5\%$ pour moins de 200mm et $\pm 3\%$ pour plus de 200mm/ Alle Abmessungen in mm, Toleranz $\pm 5\%$ für unter 200mm, und $\pm 3\%$ für über 200mm | Все размеры указаны в мм, погрешность $\pm 5\%$ ниже 200 мм и $\pm 3\%$ выше 200 мм

Models | Modelli | Modèles | Modelle | Модели



FOR BIDET
ABS CHROME : BTRBDABS010

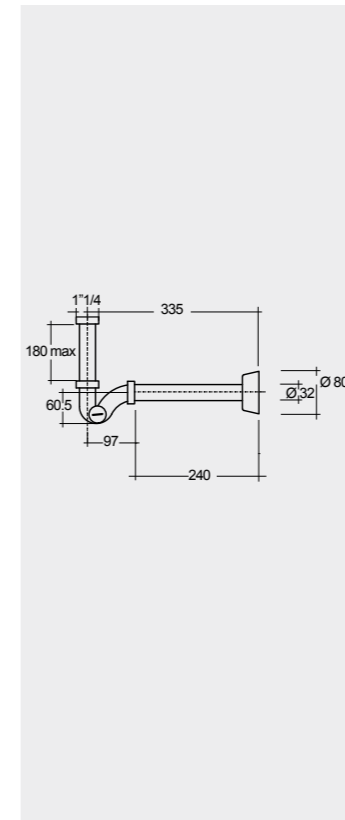
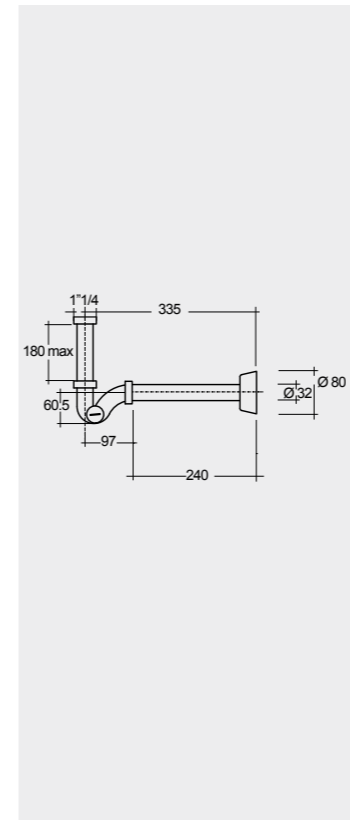
Inspectionable



FOR BIDET
PP WHITE : BTRBDPPR011

Inspectionable

Measurements | Misure | Dimensions | Abmessungen | Размеры



RAK-DES

RAK-Des is a new concept bathroom suite that pays tribute to the Bauhaus school by which it is inspired, on the occasion of the centenary of its foundation (1919). **RAK-Des** includes bowls and freestanding washbasins with the essential minimalist lines. The rectangular washbasins of this collection can be installed suspended, individually, or combined with the RAK-Joy vanities.

RAK-Des è la nuova collezione RAK Ceramics che a partire dal nome e dalle linee rende omaggio al Bauhaus in occasione del centenario della sua fondazione (1919). **RAK-Des** include, oltre ai sanitari, ciotola e lavabo freestanding dalle linee molto essenziali, minimaliste, come lo stile al quale si ispira. I lavabi rettangolari di questa collezione possono essere installati sospesi, singolarmente, oppure abbinati ai mobili bagno RAK-Joy.

RAK-Des est la nouvelle collection de RAK Ceramics qui, par le nom et les lignes, rend hommage à Bauhaus, à l'occasion du centenaire de sa fondation (1919). **RAK-Des** comprend, à part les objets sanitaires, des vasques et lavabos sur pied, aux lignes très essentielles et minimalistes, comme le style auquel il s'inspire. Les lavabos rectangulaires de cette collection peuvent être installés suspendus, seuls, ou bien combinés avec des meubles de salle de bains RAK-Joy.

RAK-Des ist die neue Kollektion von RAK Ceramics, die durch den Namen und die Linien, zu einer Hommage an Bauhaus wird, zum Anlaß des hundertjährigen Geburtstags seiner Gründung (1919). **RAK-Des** umfasst, zusätzlich zu den Sanitärgegenständen, freistehende Waschschaalen und Waschbecken mit essentiellen und minimalistischen Linien, wie der Stil, der sie inspiriert. Die rechteckigen Waschbecken dieser Kollektion können aufgehängt, alleine oder kombiniert mit den Badmöbeln von RAK-Joy, installiert werden.

RAK-Des - это новая концепция ванной комнаты от RAK Ceramics отдающая дань школе Баухаус, выпущенная специально к столетнему юбилею основания школы (1919). **RAK-Des** включает в себя раковины- чаши и отдельно стоящие раковины с неизменными минималистическими линиями. Прямоугольные раковины этой коллекции могут быть использованы как навесные варианты, так и в сочетании с мебелью для ванной комнаты, RAK-Joy.



W 80 x D 3 x H 68CM
JOYMR08068STD

70 CM
DESC7000AWHA

W 100 x D 46 x H 40CM
UNOWH100SOK

SOK

40 CM
JOYOS040MGY

MGY

52 CM
DESWC1446AWHA

52 CM
DESD2101AWHA

Models | Modelli | Modèles | Modelle | Модели



60 CM
DEFS6001AWHA



FREE-FLOW
CHROME : DUO002444



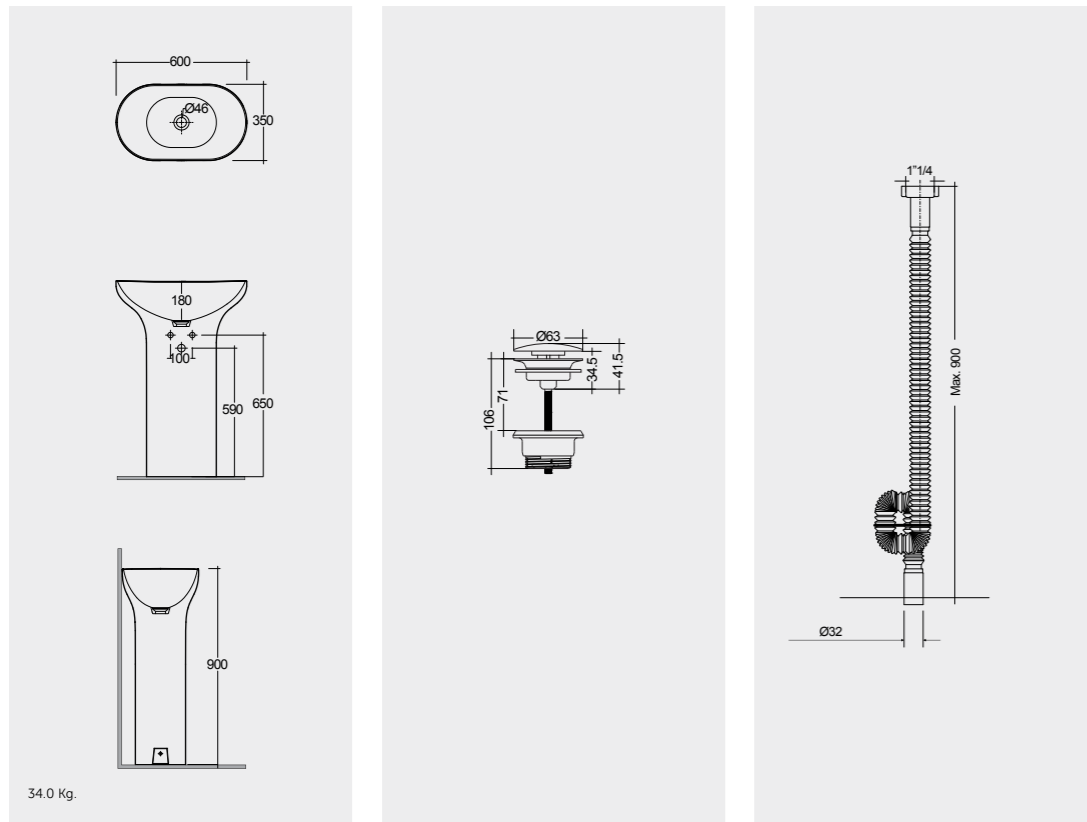
FOR FLOOR OUTLET WASH BASIN
PP WHITE : BTRFSPPR001

Hidden Fixations

CLICK-CLACK
CHROME : DUO000444

With Siphon Clip Holder

Measurements | Misure | Dimensions | Abmessungen | Размеры



34.0 Kg.

Note | Nota | Remarque | Hinweis | Примечание

All dimensions in mm tolerance $\pm 5\%$ for below 200mm and $\pm 3\%$ for above 200mm | Tutte le dimensioni hanno una tolleranza di $\pm 5\%$ mm al di sotto dei 200mm e di $\pm 3\%$ mm al di sopra dei 200mm | Toutes les dimensions en mm tolérance $\pm 5\%$ pour moins de 200mm et $\pm 3\%$ pour plus de 200mm/ Alle Abmessungen in mm, Toleranz $\pm 5\%$ für unter 200mm, und $\pm 3\%$ für über 200mm | Все размеры указаны в мм, погрешность $\pm 5\%$ ниже 200 мм и $\pm 3\%$ выше 200 мм



60 CM
DEFS6001AWHA

Models | Modelli | Modèles | Modelle | Модели



121 CM
DESWB12101AWHA
No tap holes DESWB12100AWHA



101 CM
DESWB10101AWHA
No tap holes DESWB10100AWHA

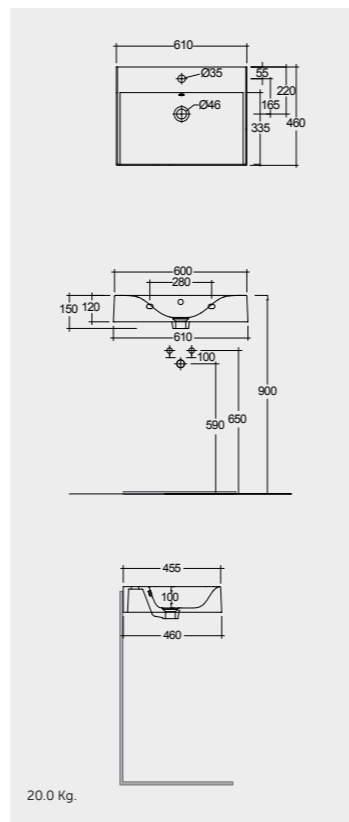
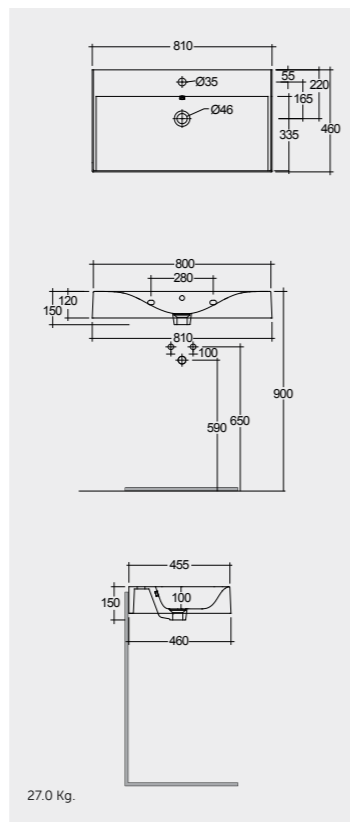
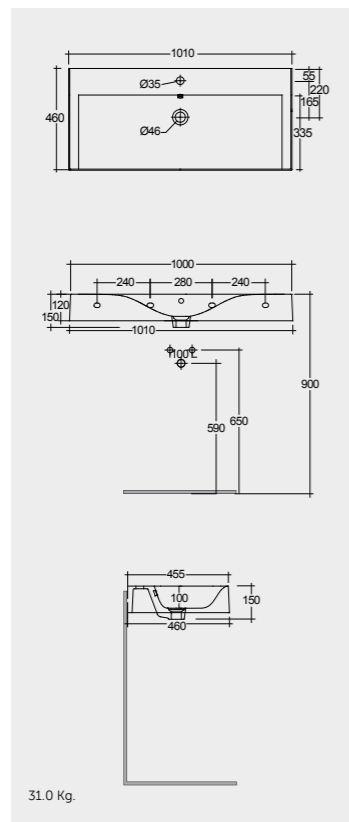
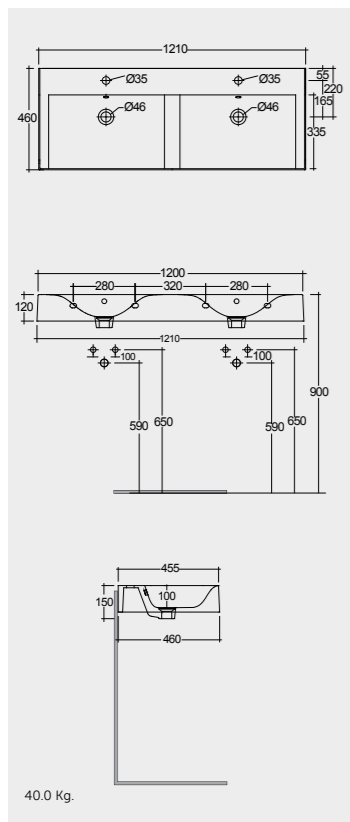


81 CM
DESWB08101AWHA
No tap holes DESWB08100AWHA



61 CM
DESWB06101AWHA
No tap holes DESWB06100AWHA

Measurements | Misure | Dimensions | Abmessungen | Размеры



Note | Nota | Remarque | Hinweis | Примечание

All dimensions in mm tolerance $\pm 5\%$ for below 200mm and $\pm 3\%$ for above 200mm | Tutte le dimensioni hanno una tolleranza di $\pm 5\%$ mm al di sotto dei 200mm e di $\pm 3\%$ mm al di sopra dei 200mm | Toutes les dimensions en mm tolérance $\pm 5\%$ pour moins de 200mm et $\pm 3\%$ pour plus de 200mm/ Alle Abmessungen in mm, Toleranz $\pm 5\%$ für unter 200mm, und $\pm 3\%$ für über 200mm | Все размеры указаны в мм, погрешность $\pm 5\%$ ниже 200 мм и $\pm 3\%$ выше 200 мм

Models | Modelli | Modèles | Modelle | Модели



MS0102AWHA



MS0103AWHA



FREE-FLOW
CHROME : DUO002444
CLICK-CLACK
CHROME : DUO000444



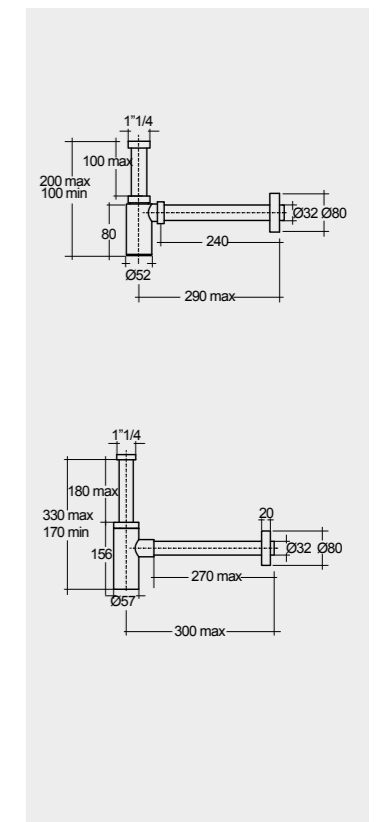
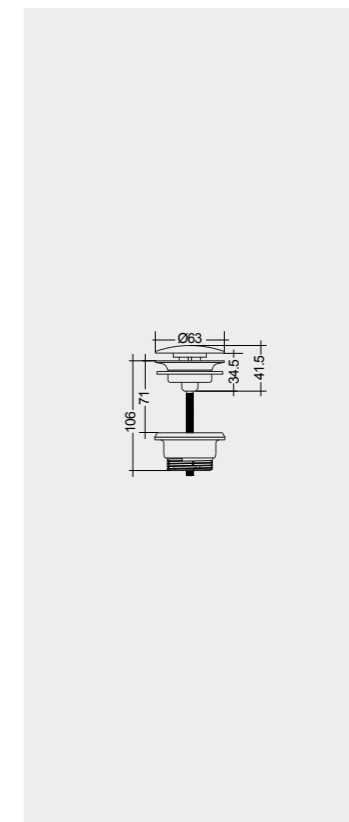
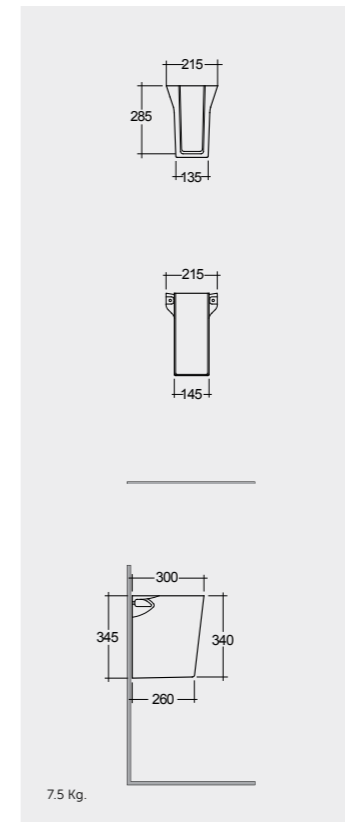
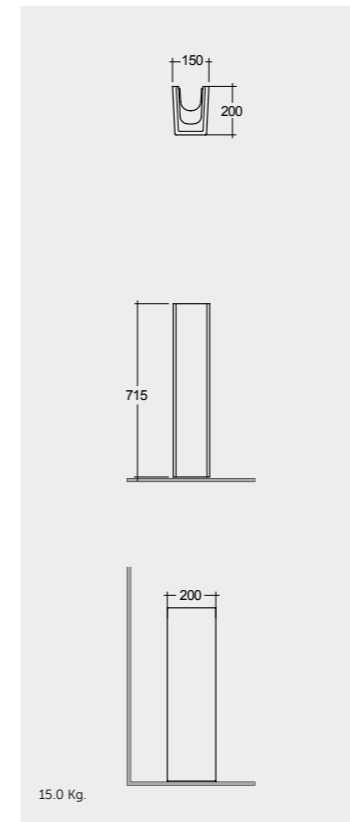
FOR WASH BASIN
ABS CHROME : BTRWBABS002
FOR WASH BASIN
INOX CHROME : BTRWBSST001

Suitable for Wash Basin : 101, 81, 61 CM

Suitable for Wash Basin : 101, 81, 61 CM

Inspectionable

Measurements | Misure | Dimensions | Abmessungen | Размеры



Models | Modelli | Modèles | Modelos | Modelle | Модели



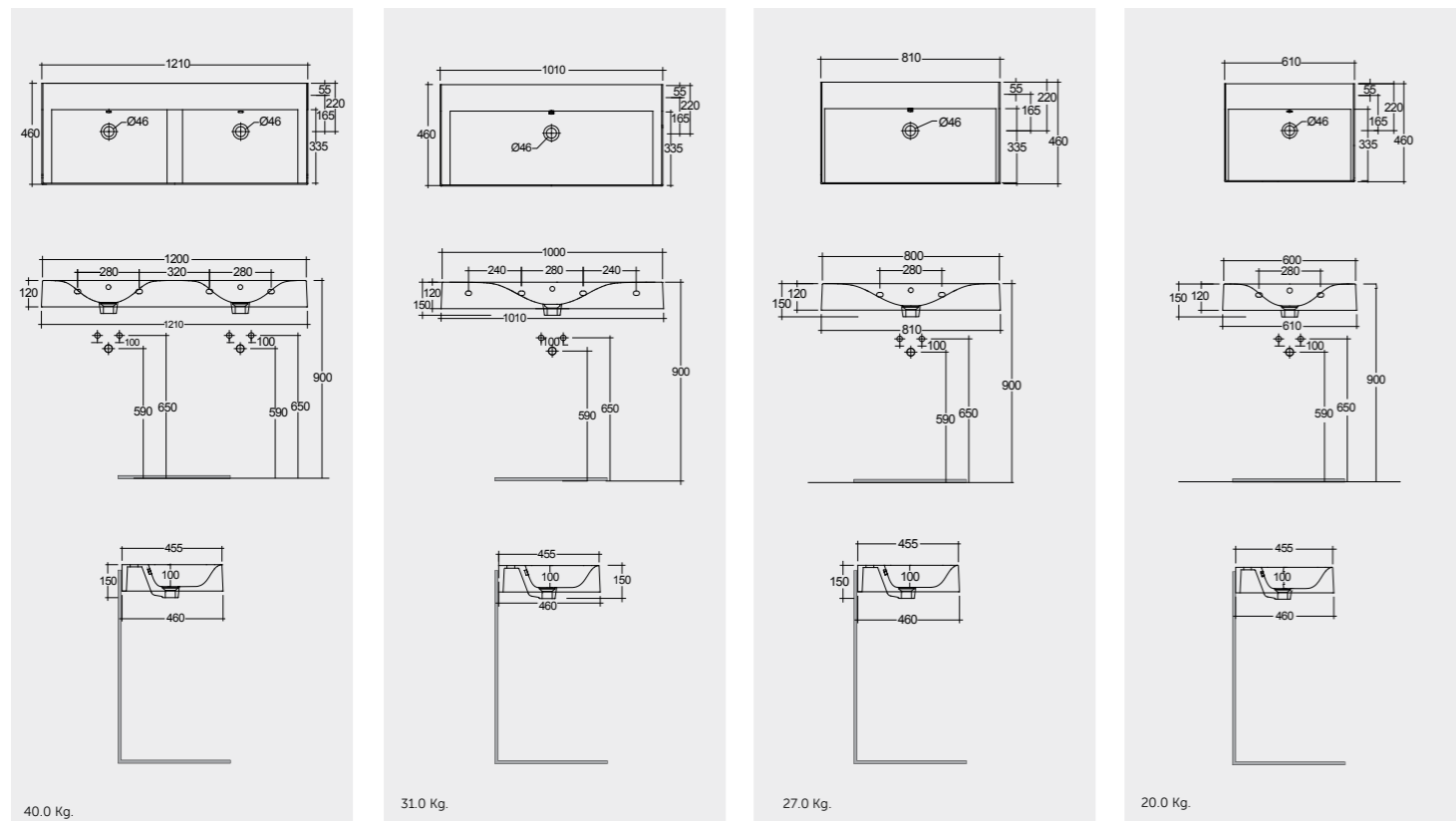
121 x 46 CM
DESWB12100AWHA

101 x 46 CM
DESWB10100AWHA

81 x 46 CM
DESWB08100AWHA

61 x 46 CM
DESWB06100AWHA

Measurements | Misure | Dimensions | Medidas | Abmessungen | Размеры



All dimensions in mm tolerance $\pm 5\%$ for below 200mm and $\pm 3\%$ for above 200mm | Tutte le dimensioni hanno una tolleranza di $\pm 5\%$ mm al di sotto dei 200mm e di $\pm 3\%$ mm al disopra dei 200mm | Toutes les dimensions en mm tolérance $\pm 5\%$ pour moins de 200mm et $\pm 3\%$ pour plus de 200mm | Todas las medidas en mm con tolerancia de 5% para menos de 200mm y 3% para más de 200mm | Alle Abmessungen in mm, Toleranz $\pm 5\%$ für unter 200mm, und $\pm 3\%$ für über 200mm | Все размеры указаны в мм, погрешность $\pm 5\%$ ниже 200 мм и $\pm 3\%$ выше 200 мм

Models | Modelli | Modèles | Modelos | Modelle | Модели



MS0102AWHA

MS0103AWHA

FREE-FLOW
CHROME : DUO002444

CLICK-CLACK
CHROME : DUO000444

FOR WASH BASIN
ABS CHROME : BTRWBABS002

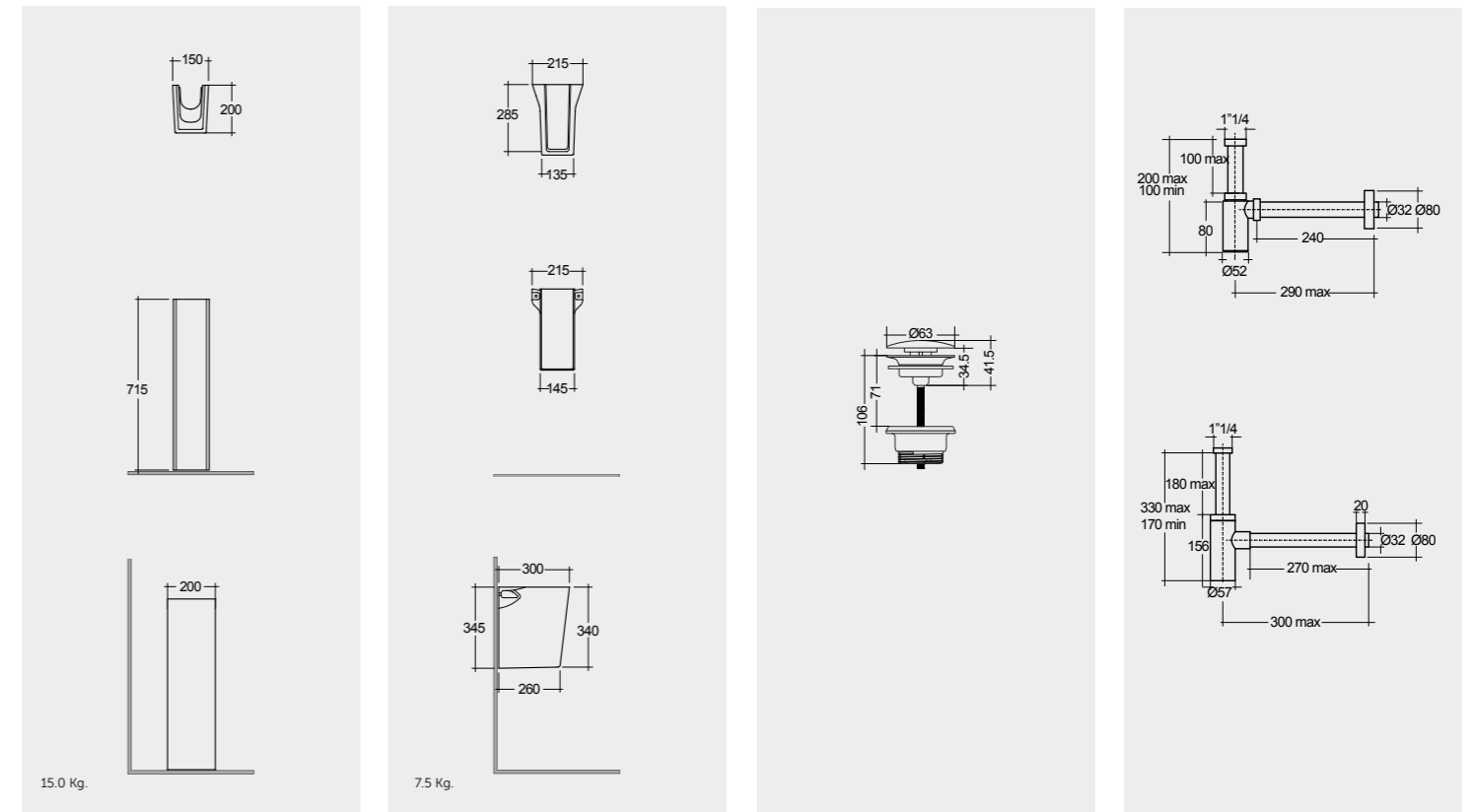
FOR WASH BASIN
INOX CHROME : BTRWBSST001

Suitable for Wash Basin : 101, 81, 61 CM

Suitable for Wash Basin : 101, 81, 61 CM

Inspectionable

Measurements | Misure | Dimensions | Medidas | Abmessungen | Размеры



RAK-DES WITH RAK-JOY & RAK-JOY UNO

RAK-Des with RAK-Joy



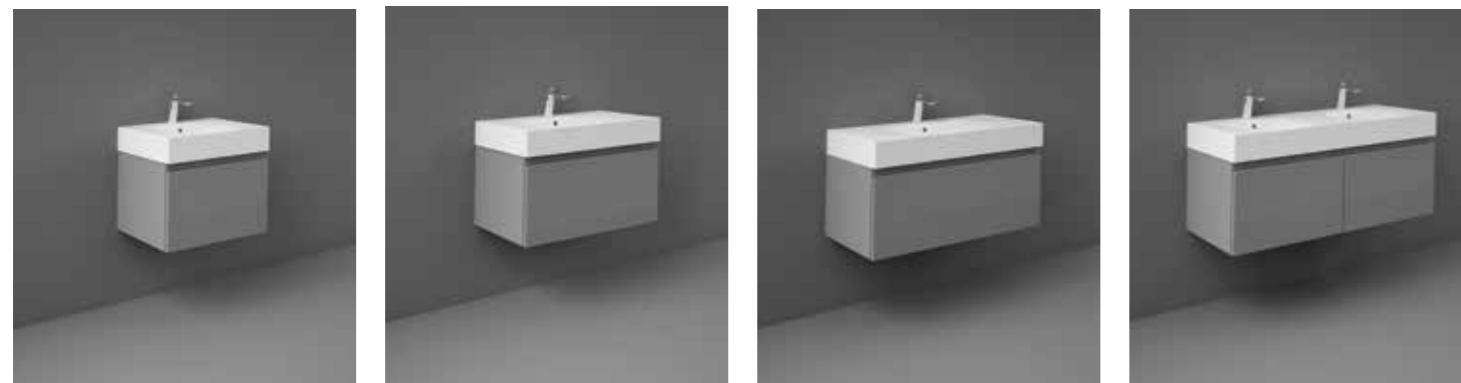
61 CM
DESWB06101AWHA
W 60 x D 46 x H 60CM
JOYWH060UGY

81 CM
DESWB08101AWHA
W 80 x D 46 x H 60CM
JOYWH080UGY

101 CM
DESWB10101AWHA
W 100 x D 46 x H 60CM
JOYWH100UGY

121 CM
DESWB12101AWHA
120cm = 2x W 60CM Units
JOYWH060UGY x2

RAK-Des with RAK-Joy Uno



61 CM
DESWB06101AWHA
W 60 x D 46 x H 40CM
UNOWH060UGY

81 CM
DESWB08101AWHA
W 80 x D 46 x H 40CM
UNOWH080UGY

101 CM
DESWB10101AWHA
W 100 x D 46 x H 40CM
UNOWH100UGY

121 CM
DESWB12101AWHA
120cm = 2x W 60CM Units
UNOWH060UGY x2



FOR VANITY (RAK-JOY)
PP WHITE : BTRWBPPR021

Inspectionable
Compact Height



FOR VANITY (RAK-JOY UNO)
PP WHITE : BTRWBPPR022

Inspectionable
Space Saving

RAK-JOY - COLORS AND FINISHES

RAK-JOY - FINITURE E COLORI | RAK-JOY - FINITURES ET COULEURS |
JOY - OBERFLÄCHEN UND FARBEN | JOY - ЦВЕТА И ОТДЕЛКА



W 100 x D 3 x H 80CM
JOYMR10000LED
101 x 46 CM
DESWB10101AWHA
W 100 x D 46 x H 40CM
UNOWH100MOK
W 30 x D 23 x H 120CM
JOYTS120MOK

Models | Modelli | Modèles | Modelle | Модели



70 CM
DESC7000AWHA



FREE-FLOW
CHROME : DUO002444

CLICK-CLACK
CHROME : DUO000444



FOR VANITY (RAK-JOY)
PP WHITE : BTRWBPPR021

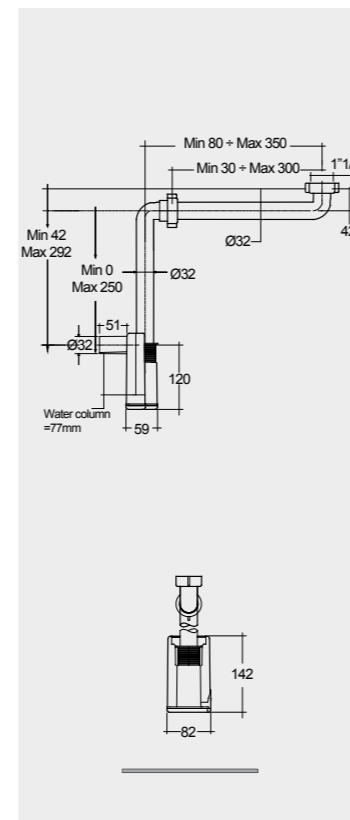
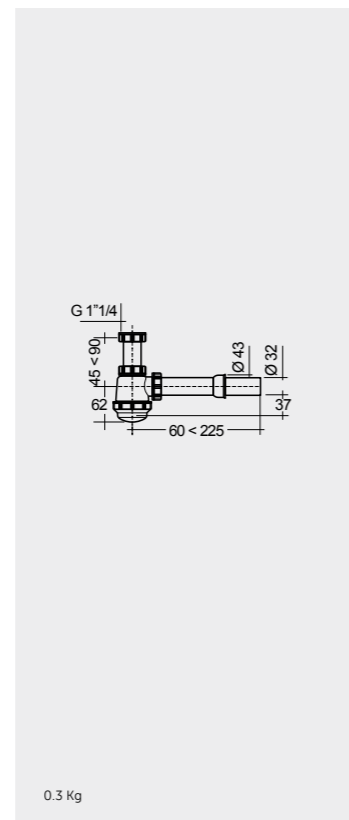
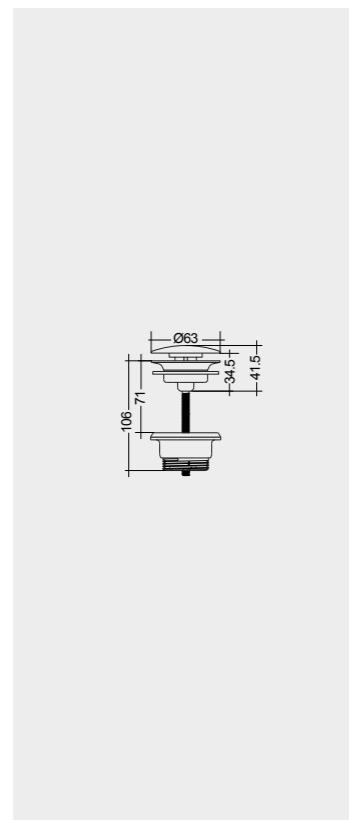
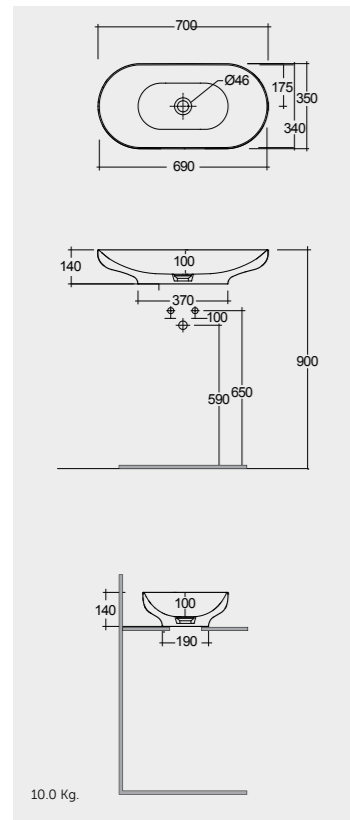
Inspectionable
Compact Height



FOR VANITY (RAK-JOY UNO)
PP WHITE : BTRWBPPR022

Inspectionable
Space Saving

Measurements | Misure | Dimensions | Abmessungen | Размеры



Note | Nota | Remarque | Hinweis | Примечание

All dimensions in mm tolerance $\pm 5\%$ for below 200mm and $\pm 3\%$ for above 200mm | Tutte le dimensioni hanno una tolleranza di $\pm 5\%$ mm al di sotto dei 200mm e di $\pm 3\%$ mm al di sopra dei 200mm | Toutes les dimensions en mm tolérance $\pm 5\%$ pour moins de 200mm et $\pm 3\%$ pour plus de 200mm/ Alle Abmessungen in mm, Toleranz $\pm 5\%$ für unter 200mm, und $\pm 3\%$ für über 200mm | Все размеры указаны в мм, погрешность $\pm 5\%$ ниже 200 мм и $\pm 3\%$ выше 200 мм



70 CM
DESC7000AWHA

RAK-DES WITH RAK-PRECIOUS SURFACES



83 CM
PRESL08347102A

Suitable for RAK-Des Counter Top WB: 70 CM



103 CM
PRESL10347102A

Suitable for RAK-Des Counter Top WB: 70 CM



163 CM
PRESL16347102A

Suitable for RAK-Des Counter Top WB: 70 CM



203 CM
PRESL20347102A

Suitable for RAK-Des Counter Top WB: 70 CM



FOR VANITY (RAK-JOY)
PP WHITE : BTRWBPPR021

Inspectionable
Compact Height



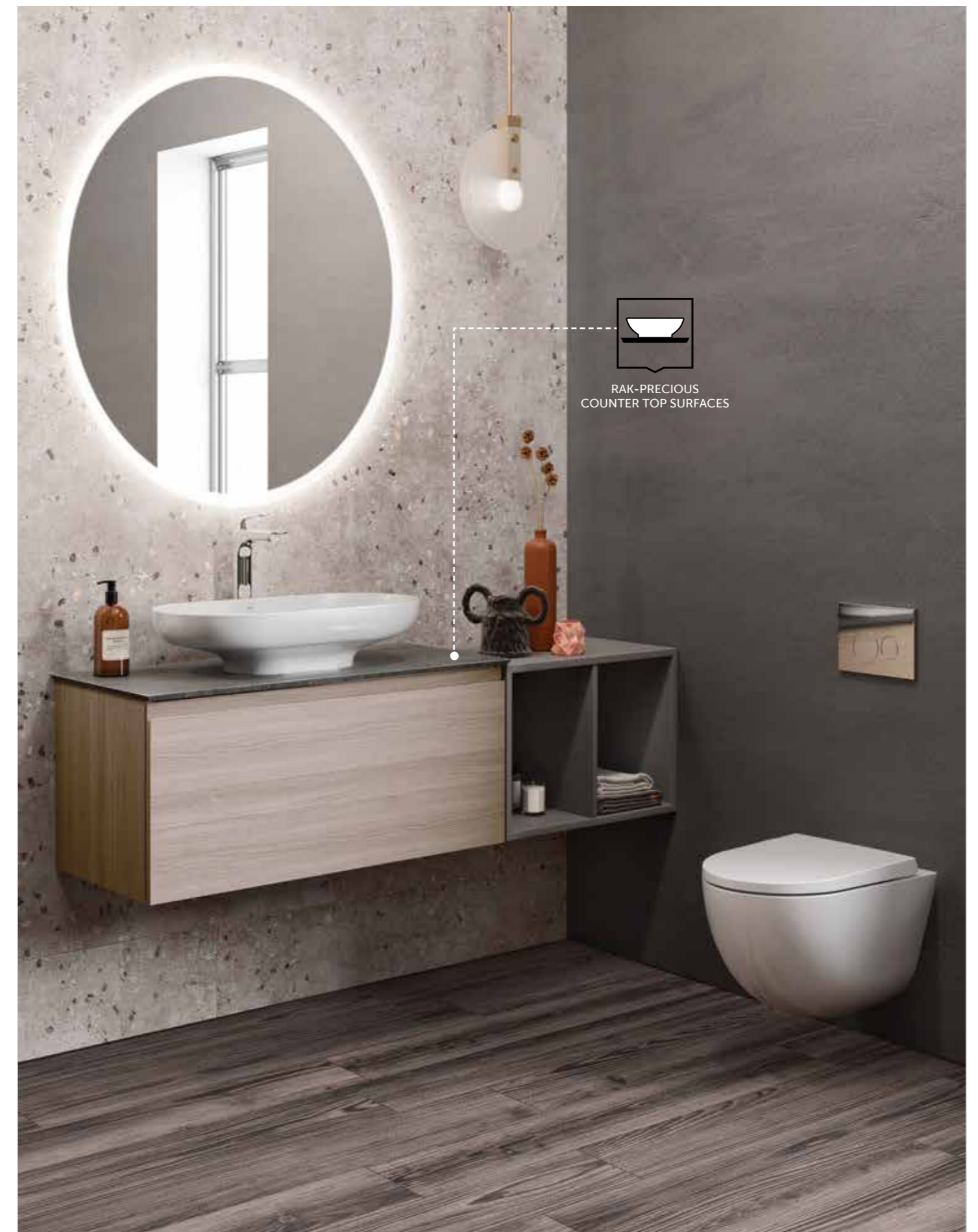
FOR VANITY (RAK-JOY UNO)
PP WHITE : BTRWBPPR022

Inspectionable
Space Saving

RAK-PRECIOUS - COLORS AND FINISHES

RAK-PRECIOUS - FINITURE E COLORI | RAK-PRECIOUS - FINITURES ET COULEURS | RAK-PRECIOUS - OBERFLÄCHEN UND FARBEN | RAK-PRECIOUS - ЦВЕТА И ОТДЕЛКА

	100 CARRARA (LAPPATO)		103 SURFACE XL COOL GREY (NATURAL)
	101 MACAUBAS (NATURAL)		104 BEHIND GREY (NATURAL)
	102 TRAVERTINO IVORY (LAPPATO)		105 UNI DARK BLACK (NATURAL)



RAK-PRECIOUS
COUNTER TOP SURFACES

W 80 x D 3 x H 80CM
JOYMR08000LED

70 CM
DESCT7000AWHA

W 100 x D 46 x H 40CM
UNOWH100SOK

SOK

60 CM
JOYOS040MGY





MGY

52 CM
DESWC1446AWHA



 61 CM
 DESWB06100AWHA
  For wash basin 61 CM
 METLG002504
 504



 61 CM
 DESWB06100AWHA
  For wash basin 61 CM
 METLG002524
  52 CM
 DESWC1446AWHA
 524

RAK-DES METAL LEGS

Models | Modelli | Modèles | Modelle | Модели



For wash basin 121 CM
METLG001504



For wash basin 101 CM
METLG001504



For wash basin 81 CM
METLG002504



For wash basin 61 CM
METLG002504

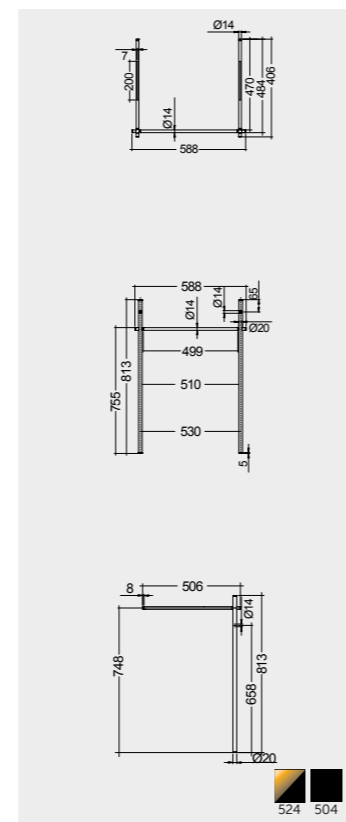
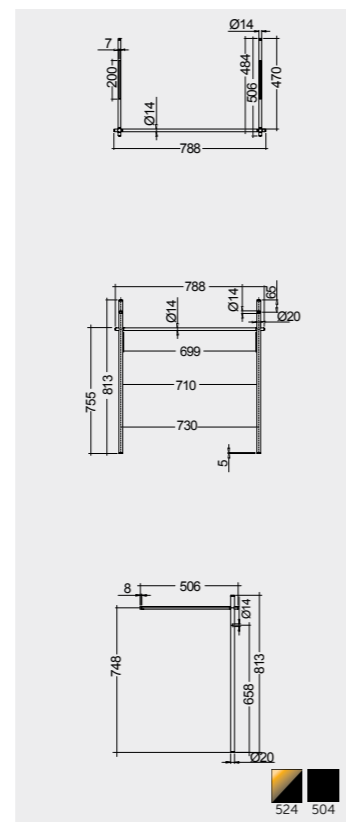
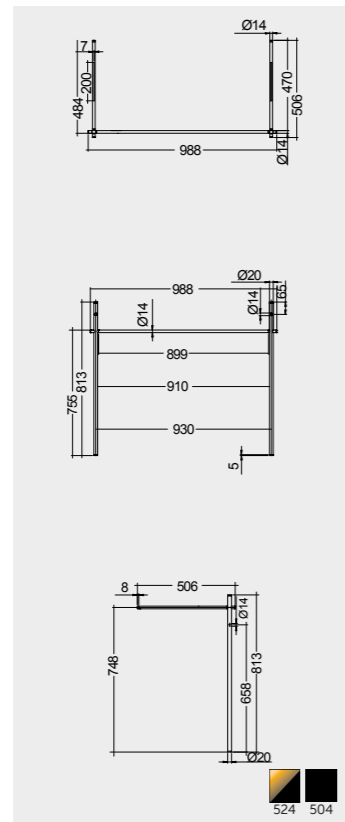
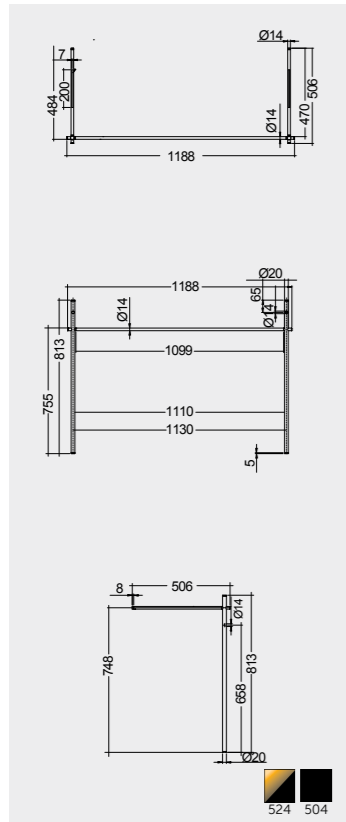
Horizontal bar included for size
121 & 101cm

Horizontal bar included for size
121 & 101cm

Horizontal bar included for size
81 & 61cm

Horizontal bar included for size
81 & 61cm

Measurements | Misure | Dimensions | Abmessungen | Размеры



Note | Nota | Remarque | Hinweis | Примечание

All dimensions in mm tolerance $\pm 5\%$ for below 200mm and $\pm 3\%$ for above 200mm | Tutte le dimensioni hanno una tolleranza di $\pm 5\%$ mm al di sotto dei 200mm e di $\pm 3\%$ mm al di sopra dei 200mm | Toutes les dimensions en mm tolérance $\pm 5\%$ pour moins de 200mm et $\pm 3\%$ pour plus de 200mm/ Alle Abmessungen in mm, Toleranz $\pm 5\%$ für unter 200mm, und $\pm 3\%$ für über 200mm | Все размеры указаны в мм, погрешность $\pm 5\%$ ниже 200 мм и $\pm 3\%$ выше 200 мм



RAK-DES TOWEL HOLDERS

Modets | Modelli | Modèles | Modelle | Модели



For wash basin 121 CM
METTR001504



For wash basin 101 CM
METTR002504



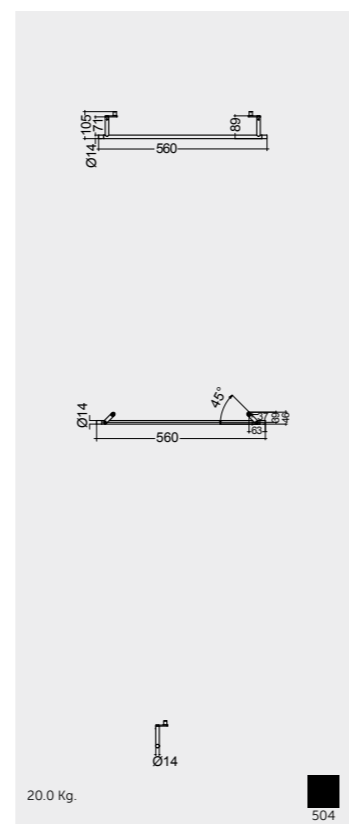
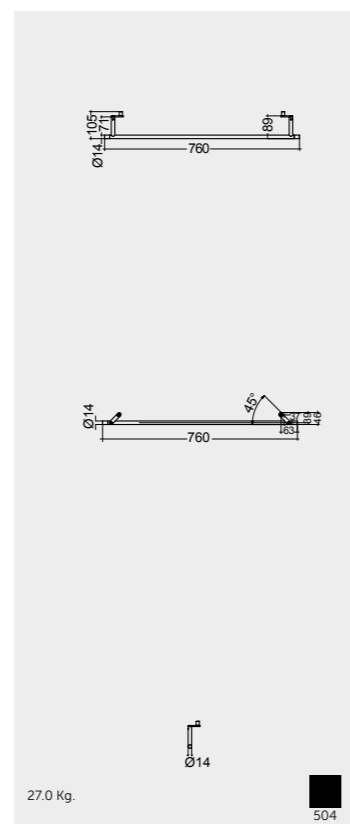
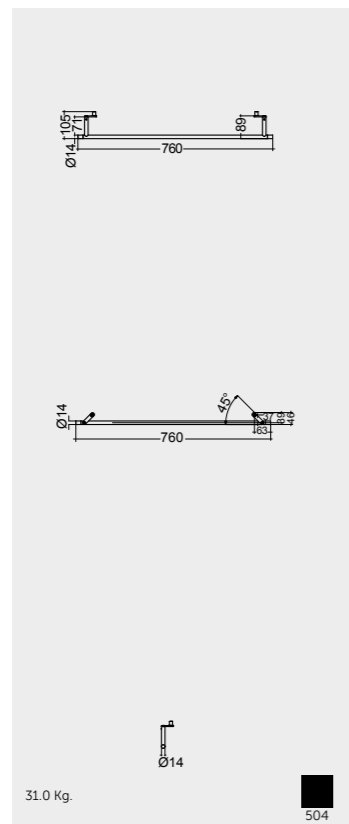
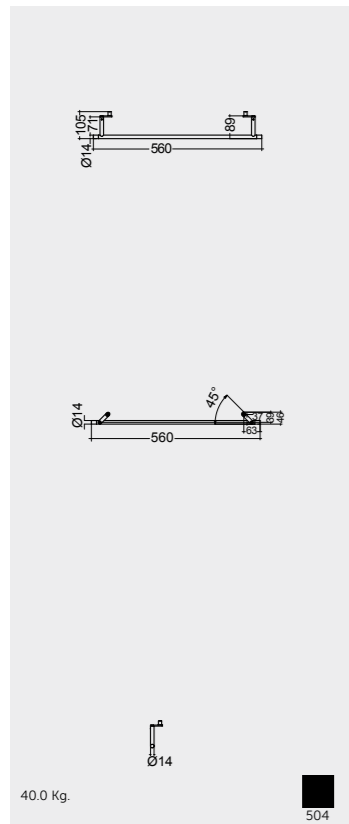
For wash basin 81 CM
METTR002504



For wash basin 61 CM
METTR001504

2 units required

Measurements | Misure | Dimensions | Abmessungen | Размеры



Note | Nota | Remarque | Hinweis | Примечание

All dimensions in mm tolerance $\pm 5\%$ for below 200mm and $\pm 3\%$ for above 200mm | Tutte le dimensioni hanno una tolleranza di $\pm 5\%$ mm al di sotto dei 200mm e di $\pm 3\%$ mm al di sopra dei 200mm | Toutes les dimensions en mm tolérance $\pm 5\%$ pour moins de 200mm et $\pm 3\%$ pour plus de 200mm/ Alle Abmessungen in mm, Toleranz $\pm 5\%$ für unter 200mm, und $\pm 3\%$ für über 200mm | Все размеры указаны в мм, погрешность $\pm 5\%$ ниже 200 мм и $\pm 3\%$ выше 200 мм



W 60 x D 3 x H 60CM
JOYMR06000LED

81 CM
DESWB10100AWHA

For wash basin 81 CM
METTR002504

Vertical towel holder 156 x45
METTH001524



RAK-DES VERTICAL TOWEL HOLDER & SIDE TABLES

Models | Modelli | Modèles | Modelle | Модели



Vertical towel holder 156 x45
METTH001524

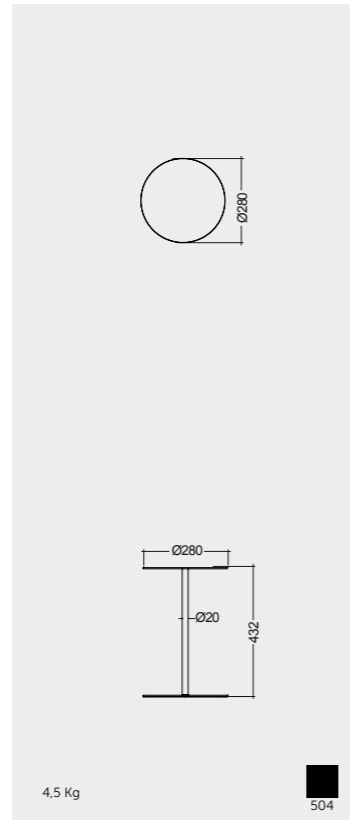
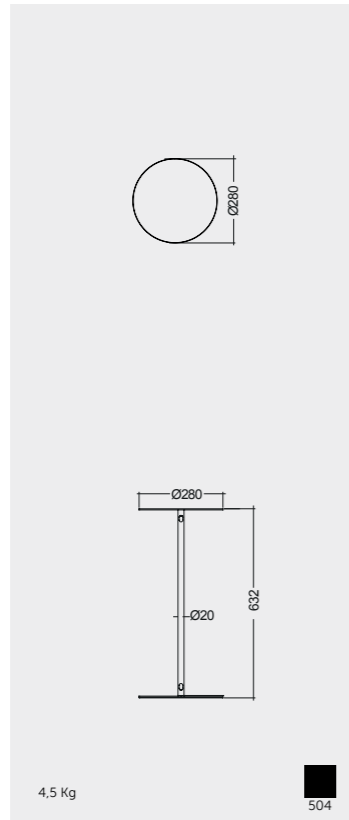
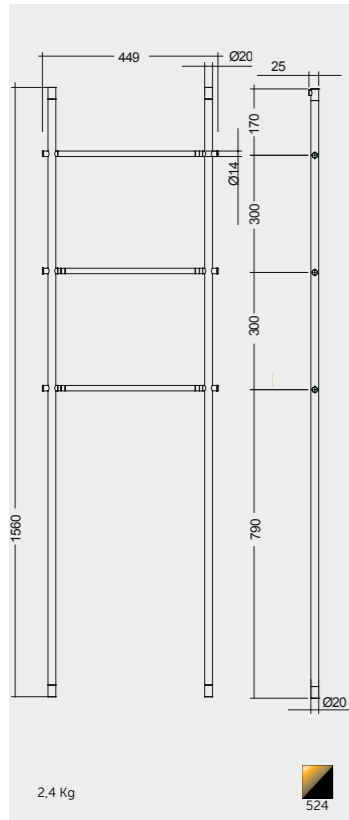


Ø 28 H63CM
METST001504



Ø 28 H43CM
METST002504

Measurements | Misure | Dimensions | Abmessungen | Размеры



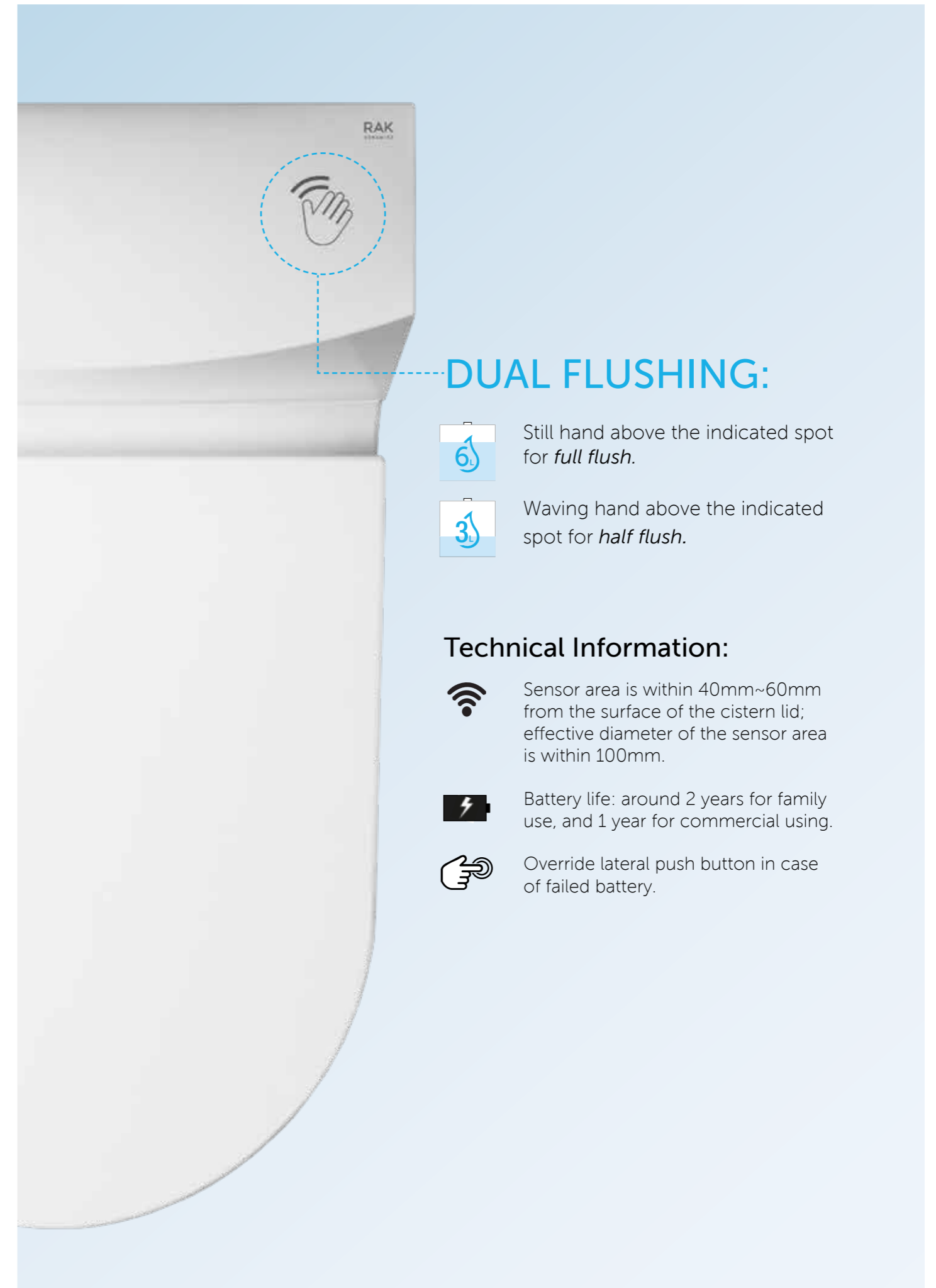
Note | Nota | Remarque | Hinweis | Примечание

All dimensions in mm tolerance $\pm 5\%$ for below 200mm and $\pm 3\%$ for above 200mm | Tutte le dimensioni hanno una tolleranza di $\pm 5\%$ mm al di sotto dei 200mm e di $\pm 3\%$ mm al di sopra dei 200mm | Toutes les dimensions en mm tolérance $\pm 5\%$ pour moins de 200mm et $\pm 3\%$ pour plus de 200mm/ Alle Abmessungen in mm, Toleranz $\pm 5\%$ für unter 200mm, und $\pm 3\%$ für über 200mm | Все размеры указаны в мм, погрешность $\pm 5\%$ ниже 200 мм и $\pm 3\%$ выше 200 мм



Touchless flushing

Enjoy the same hands free, germ free experience of commercial restrooms. With the new RAK Ceramics Touchless Flushing System, this same ease of use and minimal spreading of germs has finally expanded to the home use toilets. A sensor module mounts underneath the toilet's cistern lid and runs on four AA batteries. It utilizes emerging sensing technology, which projects an electromagnetic field that is both extremely accurate and reliable. This type of sensor detects the user in the projected field and initiates the dual flush: 6 Liters keeping the hand above the spot, or 3 Liters waving the hand.



DUAL FLUSHING:



Still hand above the indicated spot for *full flush*.



Waving hand above the indicated spot for *half flush*.

Technical Information:



Sensor area is within 40mm~60mm from the surface of the cistern lid; effective diameter of the sensor area is within 100mm.



Battery life: around 2 years for family use, and 1 year for commercial using.



Override lateral push button in case of failed battery.

Models | Modelli | Modèles | Modelle | Модели



Rimless



Rimless



64 CM
DESWC1146AWHA
SENWT1805AWHA

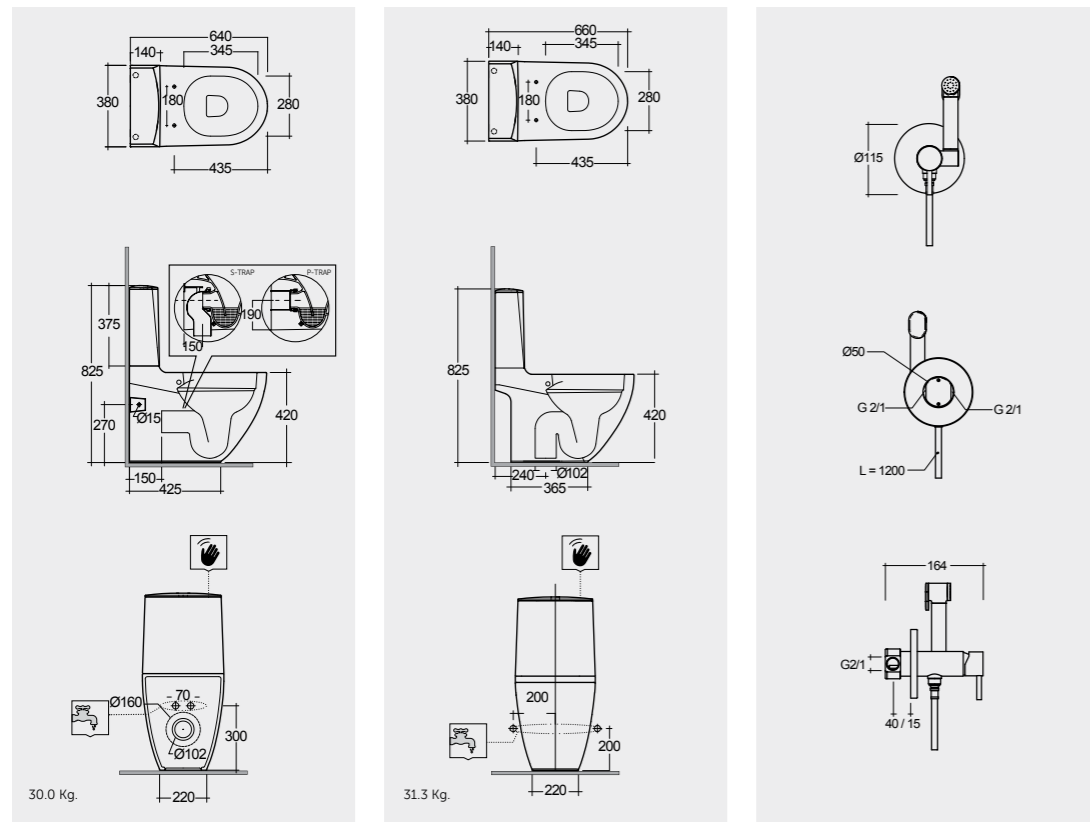
66 CM
DESWC1045AWHA
SENWT1805AWHA

SET WITH MIXER (SHATAFF)
BRASS CHROME: SPRDOMX0001

Hidden Fixations
Comfort Height 42 CM

Back Open
Comfort Height 42 CM

Measurements | Misure | Dimensions | Abmessungen | Размеры



Urea RAK-Des
DESSC3901WH
Urea RAK-Des
DESSC3900WH

Urea RAK-Des
DESSC3901WH
Urea RAK-Des
DESSC3900WH

Note | Nota | Remarque | Hinweis | Примечание

All dimensions in mm tolerance $\pm 5\%$ for below 200mm and $\pm 3\%$ for above 200mm | Tutte le dimensioni hanno una tolleranza di $\pm 5\%$ mm al di sotto dei 200mm e di $\pm 3\%$ mm al di sopra dei 200mm | Toutes les dimensions en mm tolérance $\pm 5\%$ pour moins de 200mm et $\pm 3\%$ pour plus de 200mm/ Alle Abmessungen in mm, Toleranz $\pm 5\%$ für unter 200mm, und $\pm 3\%$ für über 200mm | Все размеры указаны в мм, погрешность $\pm 5\%$ ниже 200 мм и $\pm 3\%$ выше 200 мм



Models | Modelli | Modèles | Modelle | Модели



64 CM
DESWC1146AWHA
Bottom Inlet: SENWT1800AWHA
Side Inlet: SENWT1801AWHA

Hidden Fixations
Comfort Height 42 CM



66 CM
DESWC1045AWHA
Bottom Inlet: SENWT1800AWHA
Side Inlet: SENWT1801AWHA

Back Open
Comfort Height 42 CM



52 CM
DESWC1346AWHA

Hidden Fixations
Comfort Height 42 CM



52 CM
DESWC1446AWHA

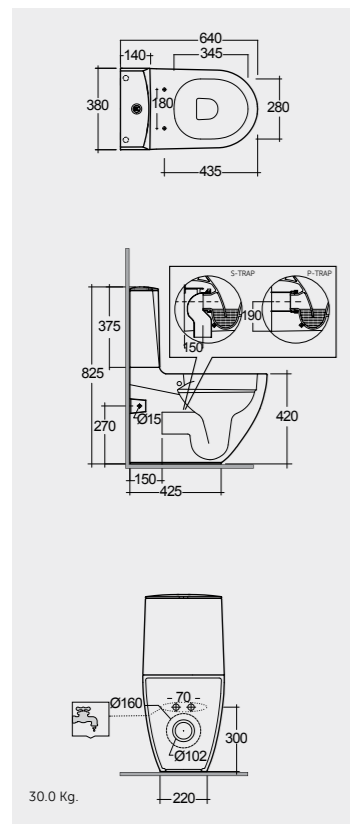
Hidden Fixations
Comfort Height 42 CM



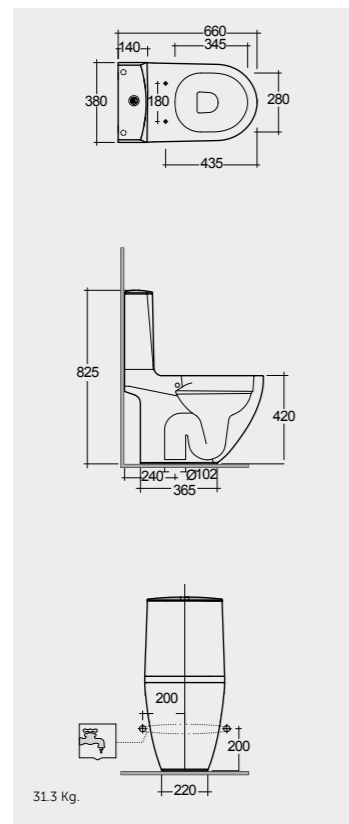
58 CM
DESWC1347AWHA

Hidden Fixations
Comfort Height 42 CM
Shifted Outlet (Traslato)

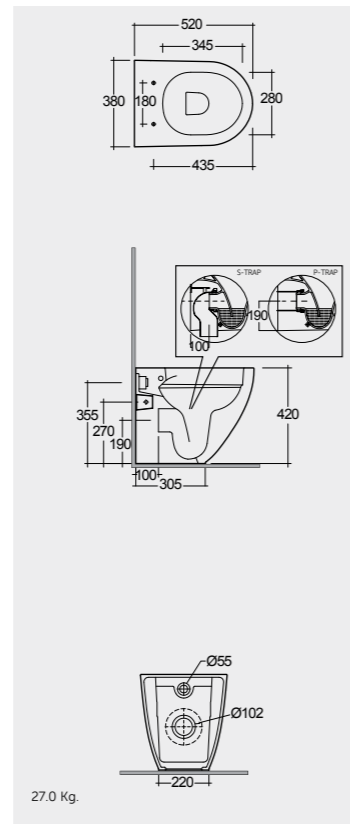
Measurements | Misure | Dimensions | Abmessungen | Размеры



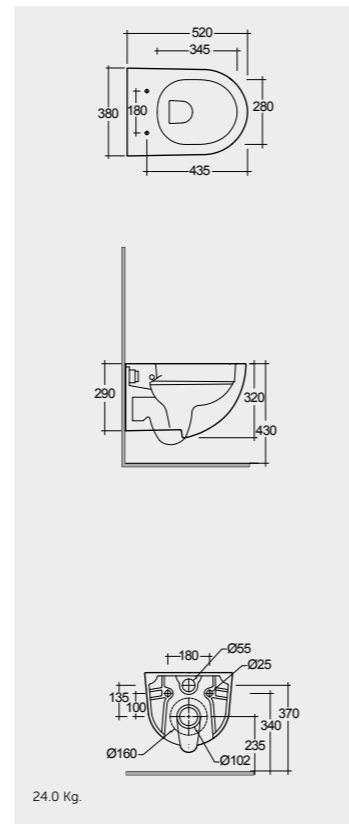
Urea RAK-Des
DESSC3901WH
Urea RAK-Des
DESSC3900WH



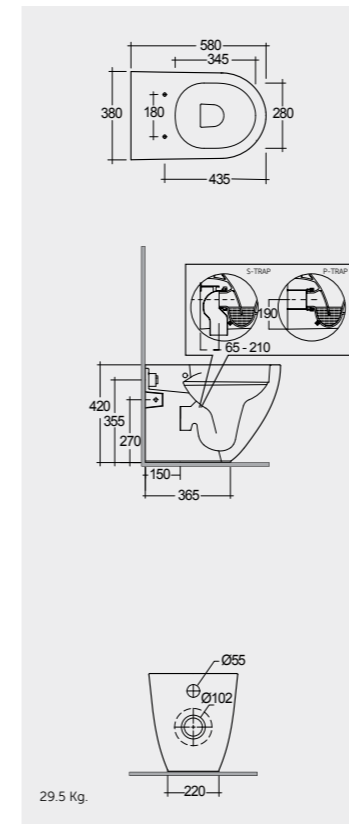
Urea RAK-Des
DESSC3901WH
Urea RAK-Des
DESSC3900WH



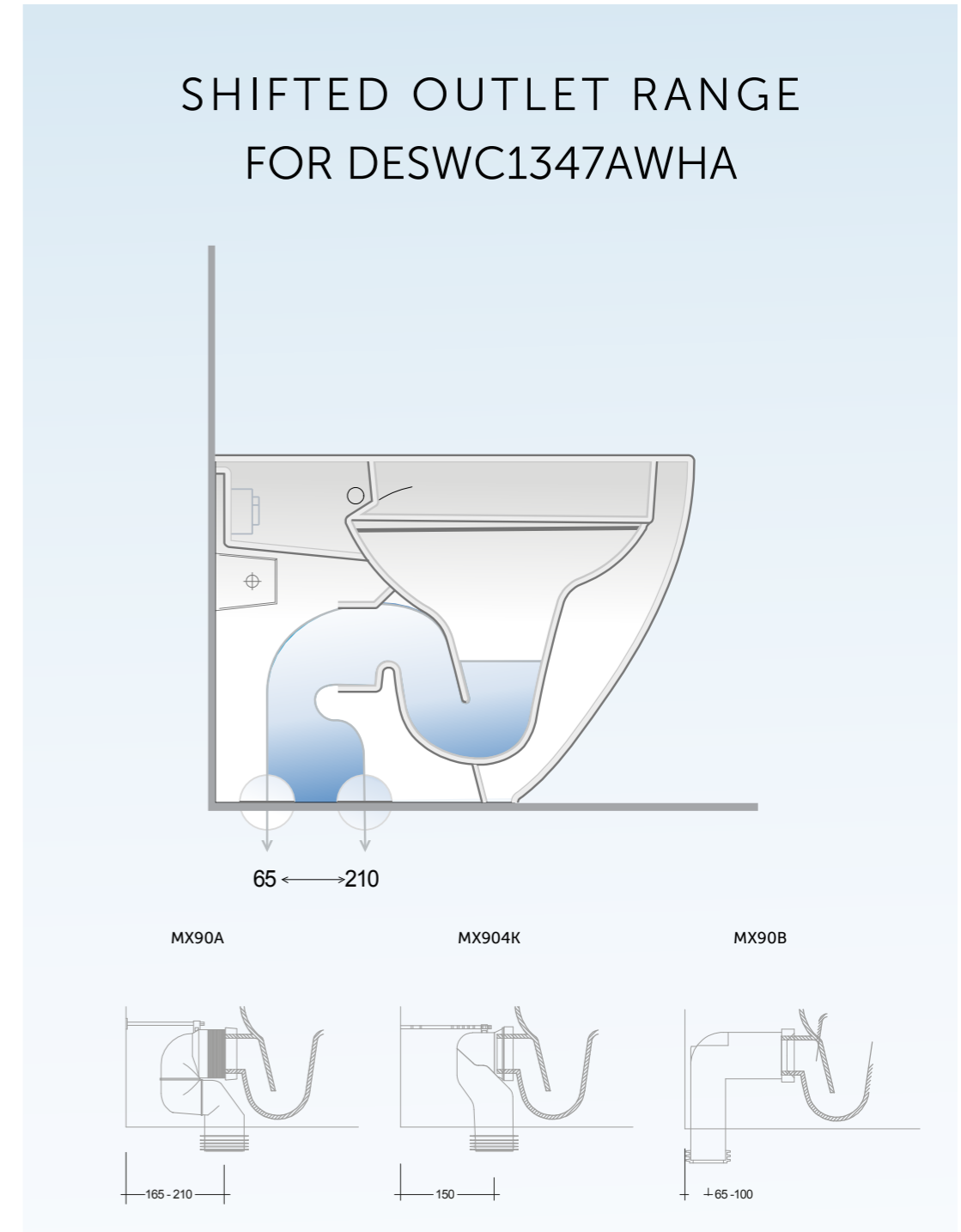
Urea RAK-Des
DESSC3901WH
Urea RAK-Des
DESSC3900WH



Urea RAK-Des
DESSC3901WH
Urea RAK-Des
DESSC3900WH



Urea RAK-Des
DESSC3901WH
Urea RAK-Des
DESSC3900WH



Note | Nota | Remarque | Hinweis | Примечание

All dimensions in mm tolerance $\pm 5\%$ for below 200mm and $\pm 3\%$ for above 200mm | Tutte le dimensioni hanno una tolleranza di $\pm 5\%$ mm al di sotto dei 200mm e di $\pm 3\%$ mm al di sopra dei 200mm | Toutes les dimensions en mm tolérance $\pm 5\%$ pour moins de 200mm et $\pm 3\%$ pour plus de 200mm/ Alle Abmessungen in mm, Toleranz $\pm 5\%$ für unter 200mm, und $\pm 3\%$ für über 200mm | Все размеры указаны в мм, погрешность $\pm 5\%$ ниже 200 мм и $\pm 3\%$ выше 200 мм

Models | Modelli | Modèles | Modelle | Модели



58 CM
DESBD2017AWHA

Hidden Fixations



52 CM
DESBD2015AWHA

Hidden Fixations



52 CM
DESBD2101AWHA

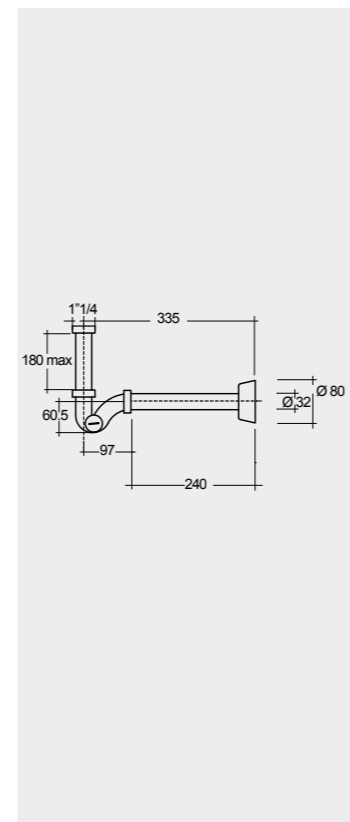
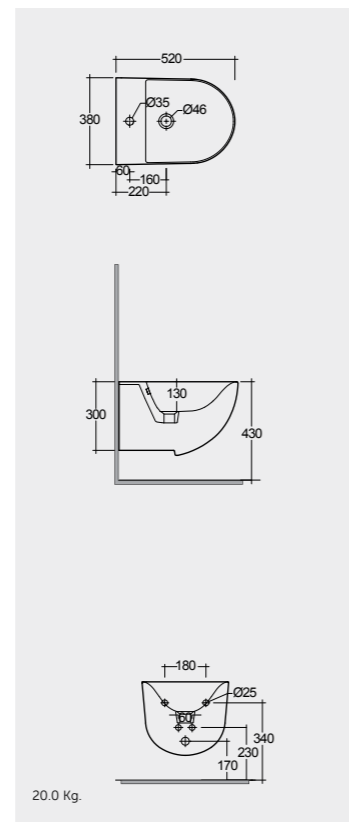
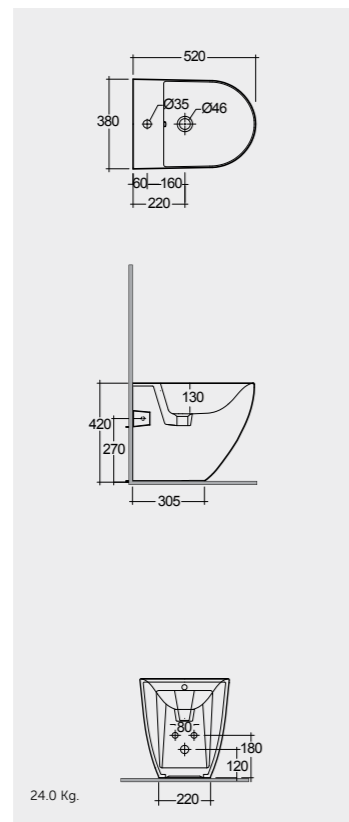
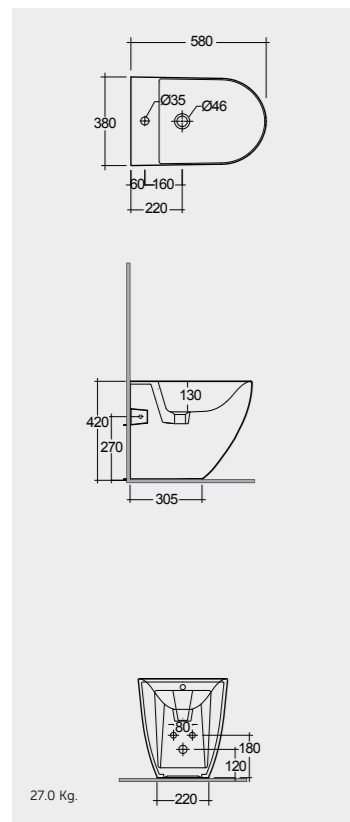
Hidden Fixations



FOR BIDET
ABS CHROME: BTRBDABS010
FOR BIDET
PP WHITE: BTRBDPPR011

Inspectionable

Measurements | Misure | Dimensions | Abmessungen | Размеры



Note | Nota | Remarque | Hinweis | Примечание

All dimensions in mm tolerance $\pm 5\%$ for below 200mm and $\pm 3\%$ for above 200mm | Tutte le dimensioni hanno una tolleranza di $\pm 5\%$ mm al di sotto dei 200mm e di $\pm 3\%$ mm al di sopra dei 200mm | Toutes les dimensions en mm tolérance $\pm 5\%$ pour moins de 200mm et $\pm 3\%$ pour plus de 200mm/ Alle Abmessungen in mm, Toleranz $\pm 5\%$ für unter 200mm, und $\pm 3\%$ für über 200mm | Все размеры указаны в мм, погрешность $\pm 5\%$ ниже 200 мм и $\pm 3\%$ выше 200 мм



W 60 x D 3 x H 60CM JOYMR06000LED
81 CM DESWB08101AWHA
For wash basin 81 CM METLG002524
52 CM DESWC1446AWHA
52 CM DESBD2101AWHA
Ø 28 H63CM METST001504
Ø 28 H43CM METST002504

RAK-ILLUSION

Amazement is a great sensation of wonder, brought by something unexpected. This is exactly the base of **RAK-Illusion** design. Lines so light it creates an impression of suspension, its surprising details and unique character can make the bathroom a magical and unexpected place.

Lo stupore: una sensazione di grande meraviglia, provocata da qualcosa di inatteso. E' esattamente cio' che sta alla base del design di **RAK-Illusion**. Linee tanto leggere da sembrare sospese, dettagli sorprendenti e un carattere unico in grado di rendere la stanza da bagno un luogo magico ed inaspettato.

La stupeur : une sensation de grande merveille, provoquée par quelque chose d' inattendu. C' est exactement ce qui se trouve à la base du design **RAK-Illusion**. Lignes si légères qu' elles semblent suspendues, détails surprenants et un caractère unique, capable de faire de la salle de bains un lieu magique et inattendu.

Sprachlosigkeit : ein Gefühl der großen Verwunderung, die von etwas Unerwartetem ausgelöst wird. Genau darauf basiert das Design von **RAK-Illusion**. Linien, die so leicht sind, dass sie zu schweben scheinen, überraschende Details und ein einzigartiger Charakter, der das Badezimmer zu einem magischen und unerwarteten Ort macht.

Изумление - это великое чувство удивления, вызванное чем-то неожиданным. Это и есть основа дизайна коллекции **RAK-Illusion**. Линии настолько светлые, что создается впечатление подвешенности, ее удивительные детали и неповторимый характер могут превратить ванную комнату в волшебное и неожиданное место.



60 CM
ILLCT6000AWHA

203 CM
PRESL20347105A

52 CM
ILLWC1346AWHA

52 CM
ILLBD2015AWHA

Models | Modelli | Modèles | Modelle | Модели



54 CM
ILLFS5501AWHA

Hidden Fixations



54 CM
ILLFS5500AWHA

Hidden Fixations



CLICK-CLACK POP-UP WASTE
DUO000444

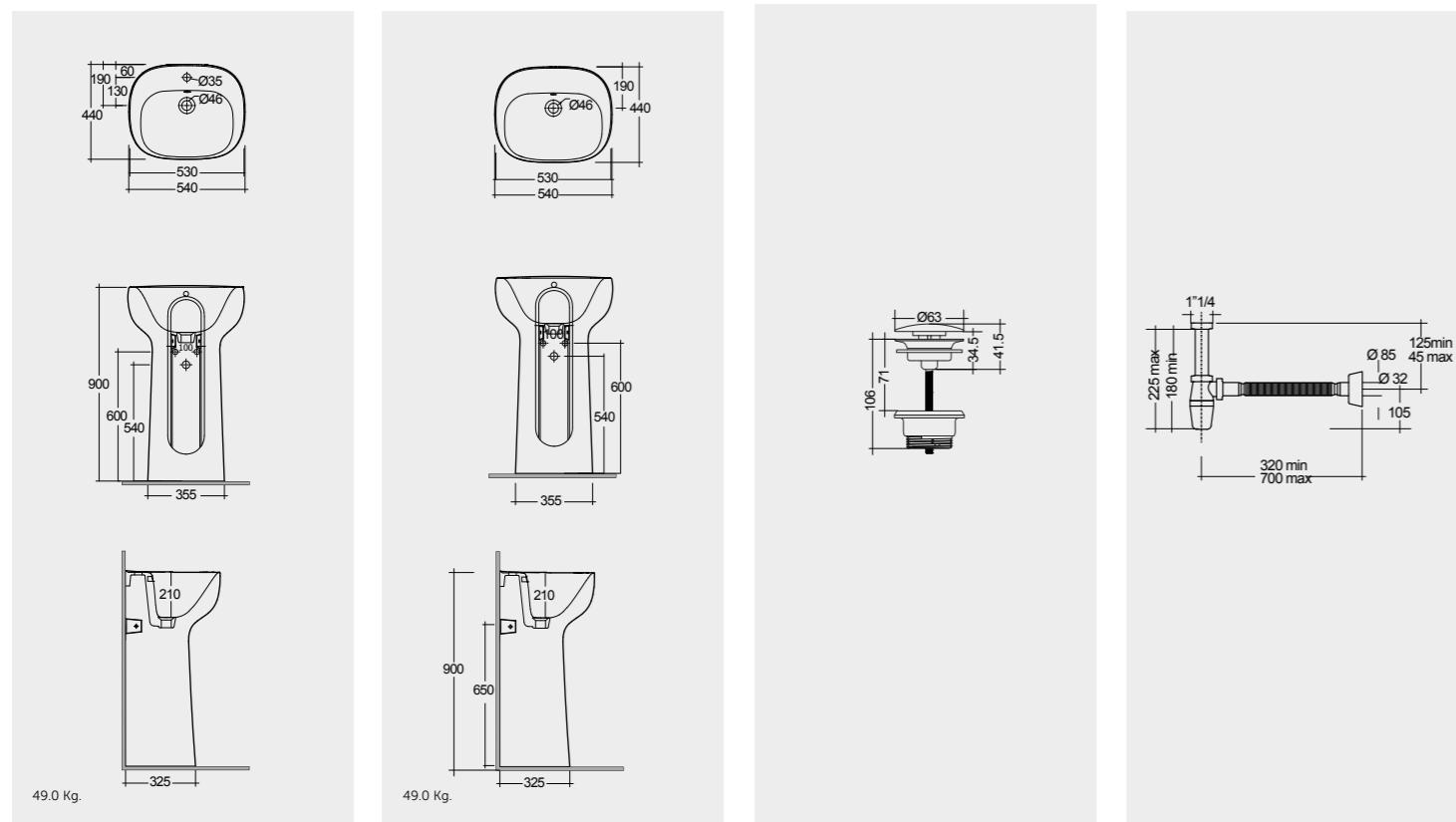
FREE-FLOW WASTE
DUO002444



FOR WASH BASIN
PP WHITE : BTRWBPPR020

With Flexible Hose
Inspectionable

Measurements | Misure | Dimensions | Abmessungen | Размеры



Note | Nota | Remarque | Hinweis | Примечание

All dimensions in mm tolerance $\pm 5\%$ for below 200mm and $\pm 3\%$ for above 200mm | Tutte le dimensioni hanno una tolleranza di $\pm 5\%$ mm al di sotto dei 200mm e di $\pm 3\%$ mm al di sopra dei 200mm | Toutes les dimensions en mm tolérance $\pm 5\%$ pour moins de 200mm et $\pm 3\%$ pour plus de 200mm/ Alle Abmessungen in mm, Toleranz $\pm 5\%$ für unter 200mm, und $\pm 3\%$ für über 200mm | Все размеры указаны в мм, погрешность $\pm 5\%$ ниже 200 мм и $\pm 3\%$ выше 200 мм



54 CM
ILLFS5501AWHA

52 CM
ILLWC1446AWHA

Models | Modelli | Modèles | Modelle | Модели



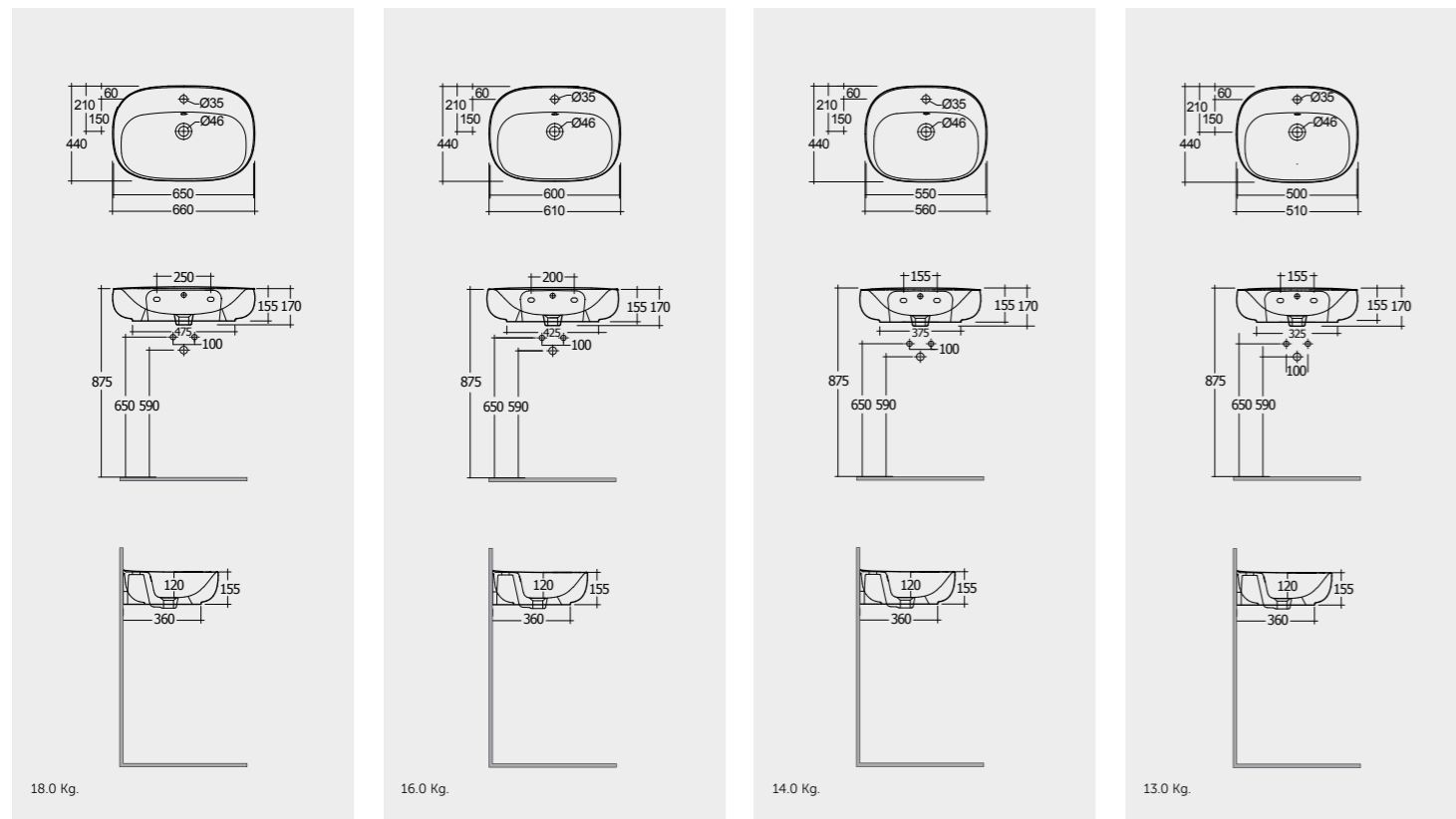
65 CM
ILLWB6501AWHA

60 CM
ILLWB6001AWHA

55 CM
ILLWB5501AWHA

50 CM
ILLWB5001AWHA

Measurements | Misure | Dimensions | Abmessungen | Размеры



Note | Nota | Remarque | Hinweis | Примечание

All dimensions in mm tolerance $\pm 5\%$ for below 200mm and $\pm 3\%$ for above 200mm | Tutte le dimensioni hanno una tolleranza di $\pm 5\%$ mm al di sotto dei 200mm e di $\pm 3\%$ mm al di sopra dei 200mm | Toutes les dimensions en mm tolérance $\pm 5\%$ pour moins de 200mm et $\pm 3\%$ pour plus de 200mm/ Alle Abmessungen in mm, Toleranz $\pm 5\%$ für unter 200mm, und $\pm 3\%$ für über 200mm | Все размеры указаны в мм, погрешность $\pm 5\%$ ниже 200 мм и $\pm 3\%$ выше 200 мм

Models | Modelli | Modèles | Modelle | Модели



MORFP2400AWHA

MORHP2500AWHA

60 CM
ILLCT6000AWHA

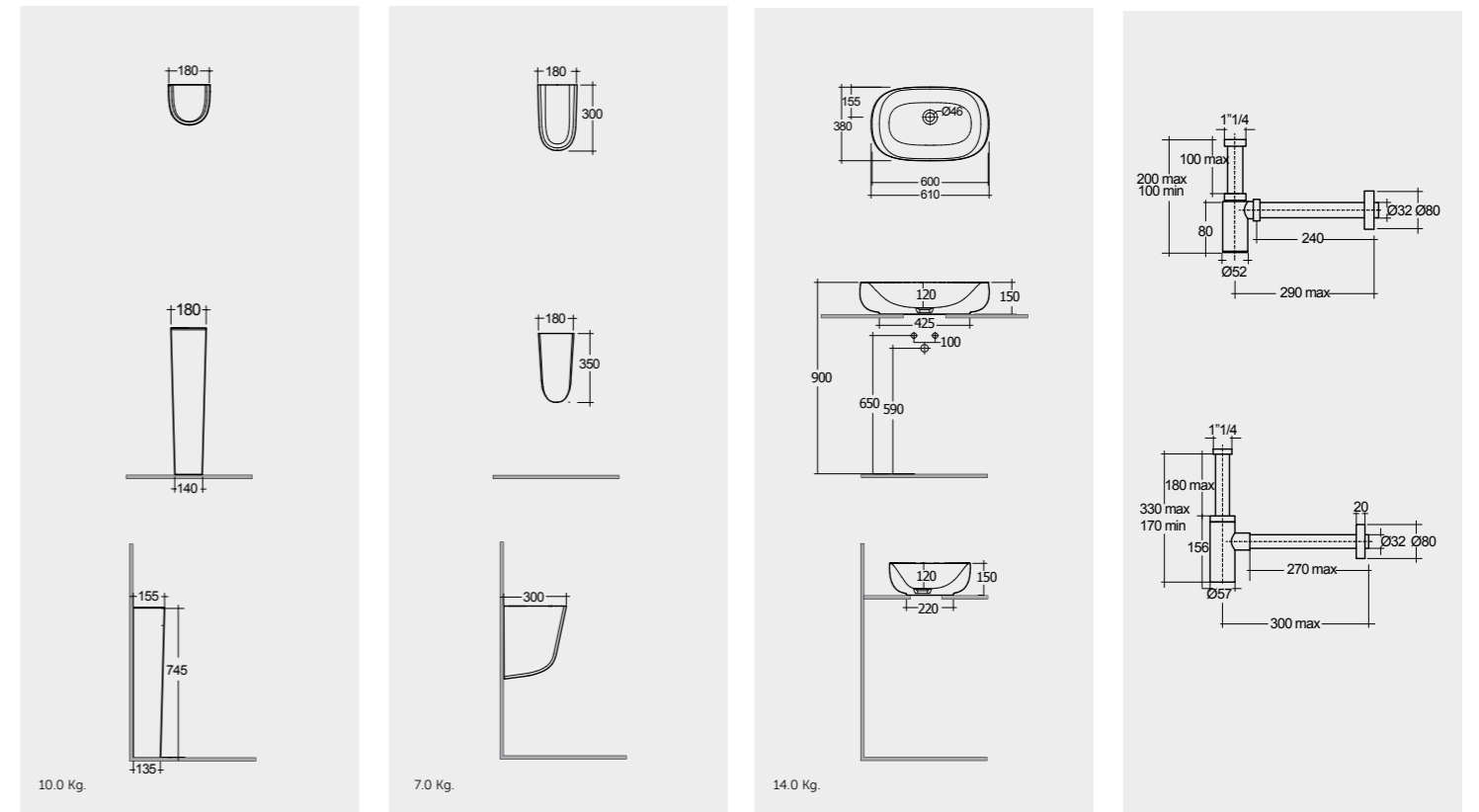
FOR WASH BASIN
ABS CHROME : BTRWBABS002
FOR WASH BASIN
INOX CHROME : BTRWBSST001

Suitable for Wash Basin : 65, 55 CM

Suitable for Wash Basin : 65, 60, 55 CM

Inspectionable

Measurements | Misure | Dimensions | Abmessungen | Размеры



RAK-ILLUSION WITH RAK-PRECIOUS SURFACES



63 CM
PRESL06347102A

Suitable for RAK-Illusion Counter Top WB :
60 CM



83 CM
PRESL08347102A

Suitable for RAK-Illusion Counter Top WB :
60 CM



103 CM
PRESL10347102A

Suitable for RAK-Illusion Counter Top WB :
60 CM



163 CM
PRESL16347102A

Suitable for RAK-Illusion Counter Top WB :
60 CM



203 CM
PRESL20347102A

Suitable for RAK-Illusion Counter Top WB :
60 CM



FOR VANITY
PP WHITE : BTRWBPPR021

Inspectionable
Compact Height

RAK-PRECIOUS - COLORS AND FINISHES

RAK-PRECIOUS - FINITURE E COLORI | RAK-PRECIOUS - FINITURES ET COULEURS |
RAK-PRECIOUS - OBERFLÄCHEN UND FARBEN | RAK-PRECIOUS - ЦВЕТА И ОТДЕЛКА

	100 CARRARA (LAPPATO)		103 SURFACE XL COOL GREY (NATURAL)
	101 MACAUBAS (NATURAL)		104 BEHIND GREY (NATURAL)
	102 TRAVERTINO IVORY (LAPPATO)		105 UNI DARK BLACK (NATURAL)



60 CM
ILLCT6000AWHA

203 CM
PRESL20347105A

200cm = 2x W 100CM Units
JOYWH100PWH x2

200CM = 2x W 100 x D 18 x H 68CM Cabinets
JOYMC10003 x2

RAK-ILLUSION WITH RAK-PRECIOUS SURFACES



63 CM
PRESL06347102E

Suitable for RAK-Illusion WB :
60 / 55 / 50 CM



83 CM
PRESL08347102E

Suitable for RAK-Illusion WB :
65 / 60 / 55 / 50 CM



103 CM
PRESL10347102E

Suitable for RAK-Illusion WB :
65 / 60 / 55 / 50 CM



123 CM
PRESL12347102E

Suitable for RAK-Illusion WB :
55 / 50 CM



163 CM
PRESL16347102E

Suitable for RAK-Illusion WB :
65 / 60 / 55 / 50 CM



FOR VANITY
PP WHITE : BTRWBPPR021

Inspectionable
Compact Height



203 CM
PRESL20347102E

Suitable for RAK-Illusion WB :
65 / 60 / 55 / 50 CM

RAK-PRECIOUS - COLORS AND FINISHES

RAK-PRECIOUS - FINITURE E COLORI | RAK-PRECIOUS - FINITURES ET COULEURS |
RAK-PRECIOUS - OBERFLÄCHEN UND FARBEN | RAK-PRECIOUS - ЦВЕТА И ОТДЕЛКА

	100 CARRARA (LAPPATO)		103 SURFACE XL COOL GREY (NATURAL)
	101 MACAUBAS (NATURAL)		104 BEHIND GREY (NATURAL)
	102 TRAVERTINO IVORY (LAPPATO)		105 UNI DARK BLACK (NATURAL)



65 CM
ILLWB6501AWHA

203 CM
PRESL20347103E

200cm = 2x W 100CM Units
JOYWH100PWH x2

W 80 x D 2 x H 68CM
JOYMR08068LED

103

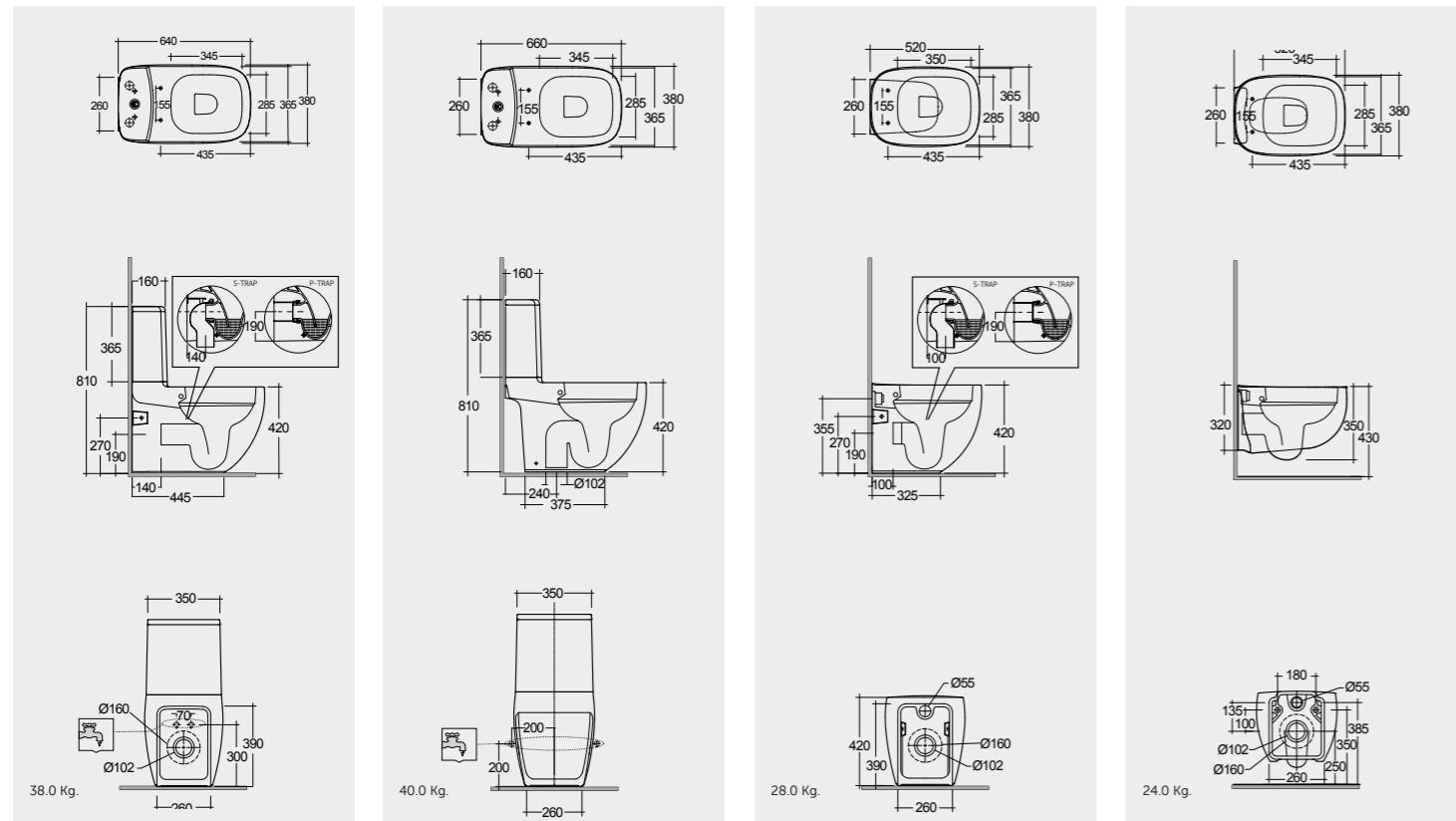
Models | Modelli | Modèles | Modelle | Модели



<p>64 CM ILLWC1146AWHA Bottom Inlet: ILLWT1800AWHA Side Inlet: ILLWT1801AWHA</p>	<p>66 CM ILLWC1045AWHA Bottom Inlet: ILLWT1800AWHA Side Inlet: ILLWT1801AWHA</p>	<p>52 CM ILLWC1346AWHA</p>	<p>52 CM ILLWC1446AWHA</p>
--	--	--------------------------------	--------------------------------

Hidden Fixations | Back Open | Hidden Fixations | Hidden Fixations

Measurements | Misure | Dimensions | Abmessungen | Размеры



<p>Urea RAK-Illusion ILLSC3901WH</p>	<p>Urea RAK-Illusion ILLSC3901WH</p>	<p>Urea RAK-Illusion ILLSC3901WH</p>	<p>Urea RAK-Illusion ILLSC3901WH</p>
<p>Urea RAK-Illusion ILLSC3900WH</p>	<p>Urea RAK-Illusion ILLSC3900WH</p>	<p>Urea RAK-Illusion ILLSC3900WH</p>	<p>Urea RAK-Illusion ILLSC3900WH</p>

Note | Nota | Remarque | Hinweis | Примечание

All dimensions in mm tolerance $\pm 5\%$ for below 200mm and $\pm 3\%$ for above 200mm | Tutte le dimensioni hanno una tolleranza di $\pm 5\%$ mm al di sotto dei 200mm e di $\pm 3\%$ mm al di sopra dei 200mm | Toutes les dimensions en mm tolérance $\pm 5\%$ pour moins de 200mm et $\pm 3\%$ pour plus de 200mm/ Alle Abmessungen in mm, Toleranz $\pm 5\%$ für unter 200mm, und $\pm 3\%$ für über 200mm | Все размеры указаны в мм, погрешность $\pm 5\%$ ниже 200 мм и $\pm 3\%$ выше 200 мм



<p>52 CM ILLWC1446AWHA</p>	<p>52 CM ILLBD2101AWHA</p>
--------------------------------	--------------------------------

Models | Modelli | Modèles | Modelle | Модели



52 CM
ILLBD2101AWHA

Hidden Fixations



52 CM
ILLBD2101AWHA

Hidden Fixations



SET WITH MIXER (SHATAFF)
BRASS CHROME: SPRDOMX0001

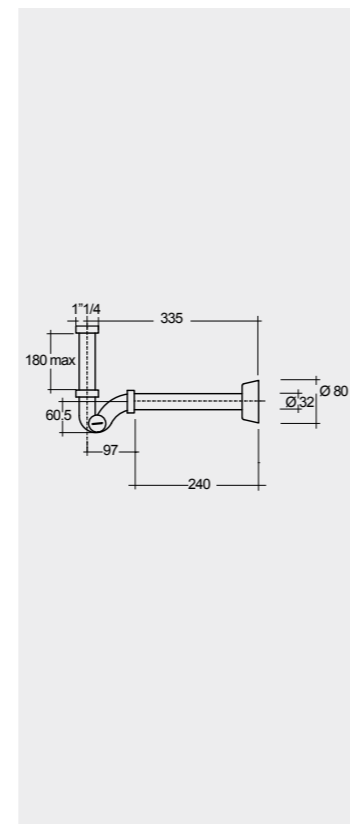
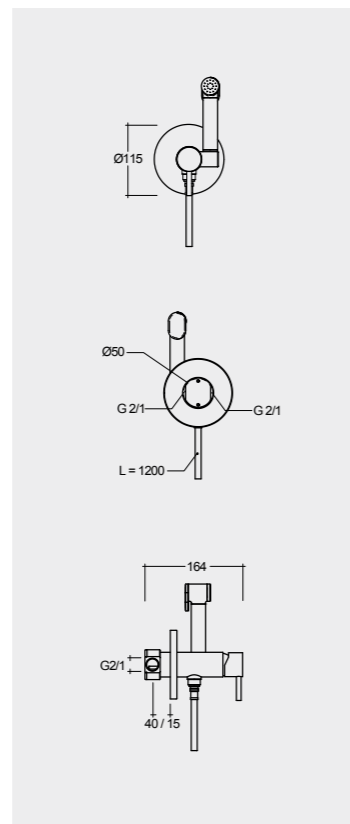
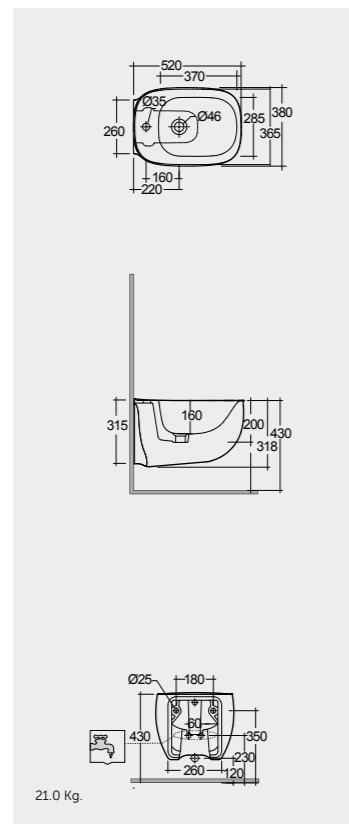
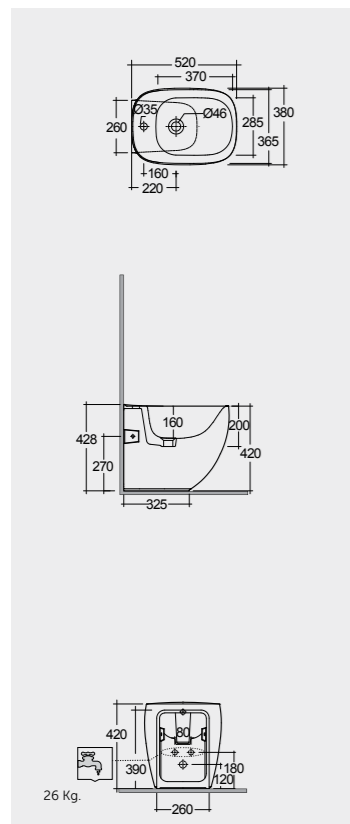


FOR BIDET
ABS CHROME: BTRBDABS010

FOR BIDET
PP WHITE: BTRBDPPR011

Inspectionable

Measurements | Misure | Dimensions | Abmessungen | Размеры



Note | Nota | Remarque | Hinweis | Примечание

All dimensions in mm tolerance $\pm 5\%$ for below 200mm and $\pm 3\%$ for above 200mm | Tutte le dimensioni hanno una tolleranza di $\pm 5\%$ mm al di sotto dei 200mm e di $\pm 3\%$ mm al di sopra dei 200mm | Toutes les dimensions en mm tolérance $\pm 5\%$ pour moins de 200mm et $\pm 3\%$ pour plus de 200mm/ Alle Abmessungen in mm, Toleranz $\pm 5\%$ für unter 200mm, und $\pm 3\%$ für über 200mm | Все размеры указаны в мм, погрешность $\pm 5\%$ ниже 200 мм и $\pm 3\%$ выше 200 мм

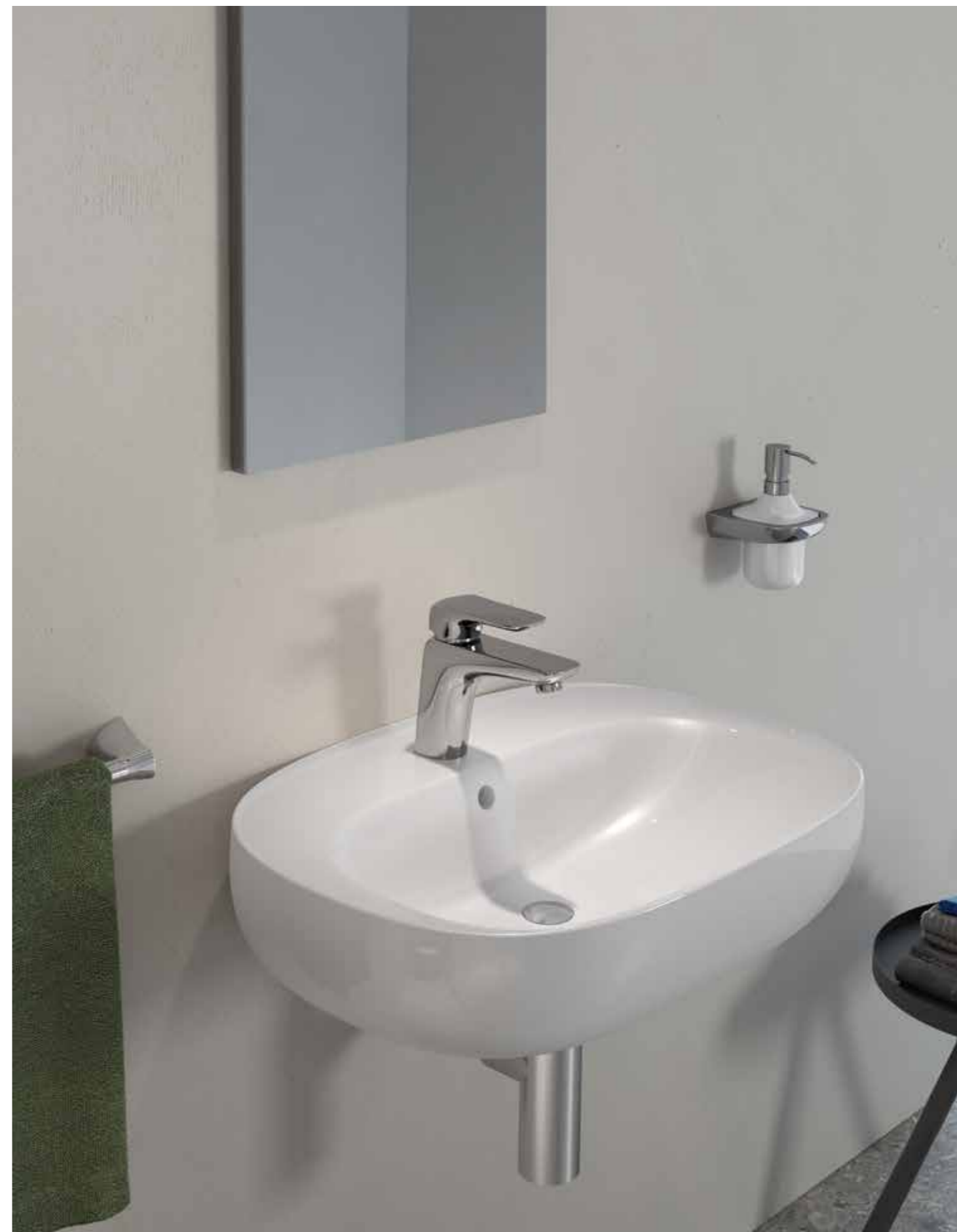


52 CM
ILLWC1346AWHA

52 CM
ILLBD2015AWHA



64 CM
ILLWC1146AWHA
ILLWT1800AWHA



55 CM
ILLWB5501AWHA

RAK-SENSATION

An eclectic collection, combining aesthetic functionality and innovation. Rimless technology, hidden fixations and symmetrical shapes underlining the soft turning of the unique and distinctive form.

Stylish and captivating **RAK-Sensation** defines your bathroom with natural harmony.

Un progetto eclettico e ampio che unisce estetica, funzionalità e innovazione. Tecnologia Rimless, sistema di fissaggio nascosto e forme equilibrate con un particolare accento sulle morbide curve dalla linea unica e distintiva.

Elegante, intrigante, **RAK-Sensation** dona carattere e naturale armonia al vostro bagno.

Un projet éclectique et ample qui unit l'esthétique, la fonctionnalité et l'innovation. Technologie Rimless, système de fixation cachée et forms équilibrées, avec un accent particulier mis sur les courbes douces de la ligne unique et distinctive.

Élégante et intrigante, **RAK-Sensation** confère du caractère et une harmonie naturelle à votre salle de bains.

Ein eklektisches und umfassendes Projekt, das Ästhetik, Funktionalität und Innovation vereint. Technologie Rimless, Verdecktes Befestigungssystem und ausgeglichene Formen, mit einem besonderen Akzent auf den weichen Kurven der einzigartigen und kennzeichnenden Linie.

Elegant und fesselnd, verleiht **RAK-Sensation** Ihrem Bad Charakter und eine natürliche Harmonie.

Эта коллекция сочетает в себе эстетичность, функциональность и инновационность. Безободковая технология Rimless, скрытые крепления и симметричные очертания подчеркивают мягкие переходы уникальной и самобытной формы.

Стиль и завораживающая красота коллекции **RAK-Sensation** придаст вашей ванной комнате ощущение естественной гармонии.



60 CM
SENWB6001AWHA

52 CM
SENWC1446AWHA

52 CM
SENBD2101AWHA

Models | Modelli | Modèles | Modelle | Модели



55 CM
SENFS5501AWHA



55 CM
SENFS5500AWHA

No Tap Hole



FOR WASH BASIN
PP WHITE : BTRWBPPR020

With Flexible Hose

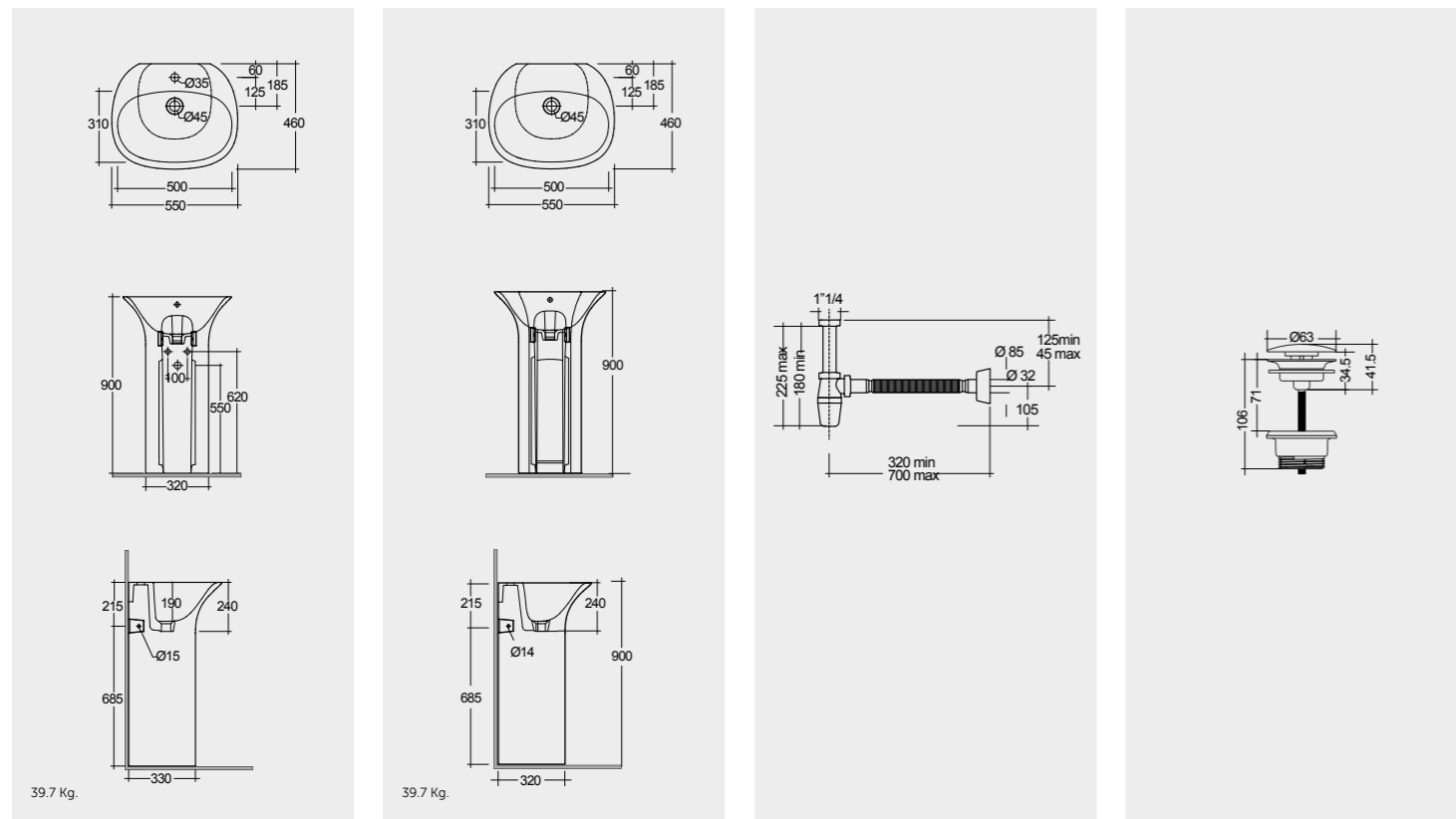
Inspectionable



FREE-FLOW
CHROME : DUO002444

CLICK-CLACK
CHROME : DUO000444

Measurements | Misure | Dimensions | Abmessungen | Размеры



Note | Nota | Remarque | Hinweis | Примечание

All dimensions in mm tolerance $\pm 5\%$ for below 200mm and $\pm 3\%$ for above 200mm | Tutte le dimensioni hanno una tolleranza di $\pm 5\%$ mm al di sotto dei 200mm e di $\pm 3\%$ mm al di sopra dei 200mm | Toutes les dimensions en mm tolérance $\pm 5\%$ pour moins de 200mm et $\pm 3\%$ pour plus de 200mm/ Alle Abmessungen in mm, Toleranz $\pm 5\%$ für unter 200mm, und $\pm 3\%$ für über 200mm | Все размеры указаны в мм, погрешность $\pm 5\%$ ниже 200 мм и $\pm 3\%$ выше 200 мм



55 CM
SENFS5501AWHA

Models | Modelli | Modèles | Modelle | Модели



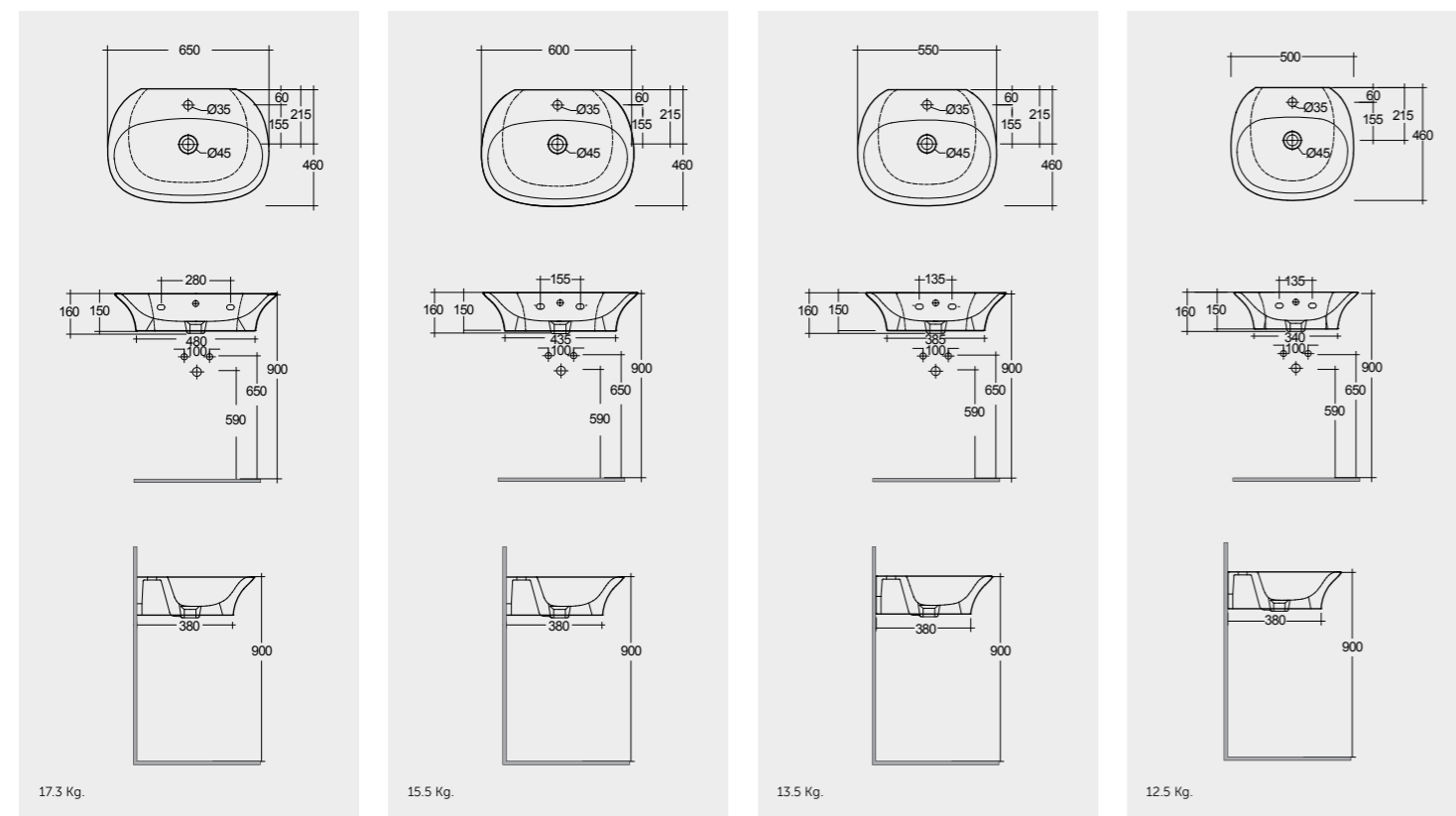
65 CM
SENWB6501AWHA

60 CM
SENWB6001AWHA

55 CM
SENWB5501AWHA

50 CM
SENWB5001AWHA

Measurements | Misure | Dimensions | Abmessungen | Размеры



Note | Nota | Remarque | Hinweis | Примечание

All dimensions in mm tolerance $\pm 5\%$ for below 200mm and $\pm 3\%$ for above 200mm | Tutte le dimensioni hanno una tolleranza di $\pm 5\%$ mm al di sotto dei 200mm e di $\pm 3\%$ mm al di sopra dei 200mm | Toutes les dimensions en mm tolérance $\pm 5\%$ pour moins de 200mm et $\pm 3\%$ pour plus de 200mm/ Alle Abmessungen in mm, Toleranz $\pm 5\%$ für unter 200mm, und $\pm 3\%$ für über 200mm | Все размеры указаны в мм, погрешность $\pm 5\%$ ниже 200 мм и $\pm 3\%$ выше 200 мм

Models | Modelli | Modèles | Modelle | Модели



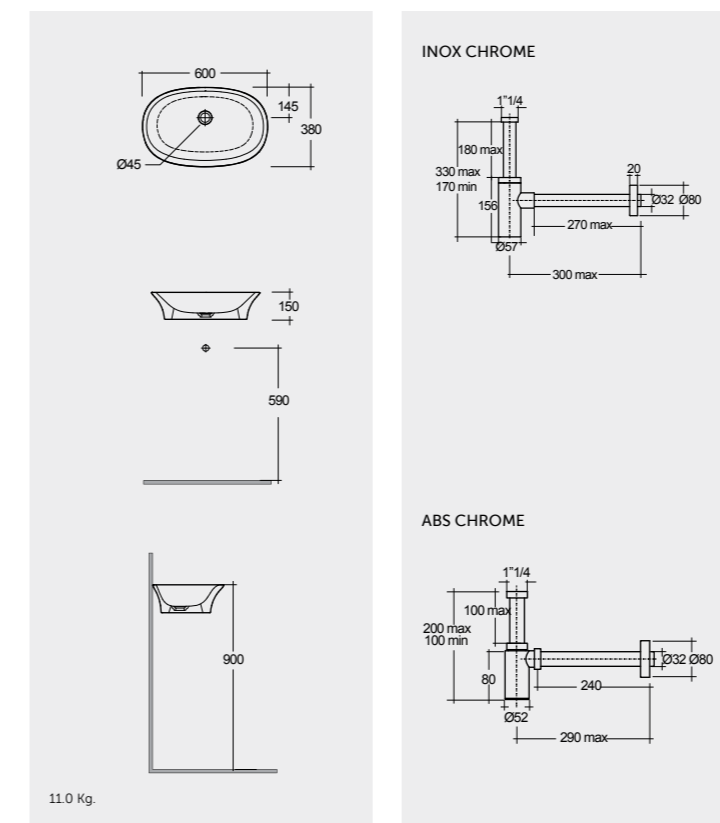
60 CM
SENCT6000AWHA

FOR WASH BASIN
INOX CHROME : BTRWBSST001

FOR WASH BASIN
ABS CHROME : BTRWBABS002

Inspectionable

Measurements | Misure | Dimensions | Abmessungen | Размеры



RAK-SENSATION WITH RAK-PRECIOUS SURFACES



63 CM
PRESL06347102A

Suitable for RAK-Sensation Counter Top WB : 60 CM



83 CM
PRESL08347102A

Suitable for RAK-Sensation Counter Top WB : 60 CM



103 CM
PRESL10347102A

Suitable for RAK-Sensation Counter Top WB : 60 CM



163 CM
PRESL16347102A

Suitable for RAK-Sensation Counter Top WB : 60 CM



203 CM
PRESL20347102A

Suitable for RAK-Sensation Counter Top WB : 60 CM



FOR VANITY
PP WHITE : BTRWBPPR021

Inspectionable
Compact Height

RAK-PRECIOUS - COLORS AND FINISHES

RAK-PRECIOUS - FINITURE E COLORI | RAK-PRECIOUS - FINITURES ET COULEURS | RAK-PRECIOUS - OBERFLÄCHEN UND FARBEN | RAK-PRECIOUS - ЦВЕТА И ОТДЕЛКА

	100 CARRARA (LAPPATO)		103 SURFACE XL COOL GREY (NATURAL)
	101 MACAUBAS (NATURAL)		104 BEHIND GREY (NATURAL)
	102 TRAVERTINO IVORY (LAPPATO)		105 UNI DARK BLACK (NATURAL)



RAK-PRECIOUS
COUNTER TOP SURFACES

60 CM
SENC5000AWHA

83 CM
PRESL08347103A

W 80 x D 46 x H 60CM
JOYWH080EGY

W 80 x D 2 x H 68CM
JOYMR08068LED

RAK-SENSATION WITH RAK-PRECIOUS SURFACES



63 CM
PRESL06347102E

Suitable for RAK-Sensation WB :
60 / 55 / 50 CM



83 CM
PRESL08347102E

Suitable for RAK-Sensation WB :
65 / 60 / 55 / 50 CM



103 CM
PRESL10347102E

Suitable for RAK-Sensation WB :
65 / 60 / 55 / 50 CM



123 CM
PRESL12347102E

Suitable for RAK-Sensation WB :
55 / 50 CM



163 CM
PRESL16347102A

Suitable for RAK-Sensation WB :
65 / 60 / 55 / 50 CM



FOR VANITY
PP WHITE : BTRWBPPR021

Inspectionable
Compact Height



203 CM
PRESL20347102A

Suitable for RAK-Sensation WB :
65 / 60 / 55 / 50 CM

RAK-PRECIOUS - COLORS AND FINISHES

RAK-PRECIOUS - FINITURE E COLORI | RAK-PRECIOUS - FINITURES ET COULEURS | RAK-PRECIOUS - OBERFLÄCHEN UND FARBEN | RAK-PRECIOUS - ЦВЕТА И ОТДЕЛКА

	100 CARRARA (LAPPATO)		103 SURFACE XL COOL GREY (NATURAL)
	101 MACAUBAS (NATURAL)		104 BEHIND GREY (NATURAL)
	102 TRAVERTINO IVORY (LAPPATO)		105 UNI DARK BLACK (NATURAL)



60 CM
SENCT5000AWHA


103 CM
PRESL10347100E

W 100 x D 46 x H 60CM
JOYWH100PWH



W 100 x D 2 x H 68CM
JOYMR10068LED

Touchless flushing




Enjoy the same hands free, germ free experience of commercial restrooms. With the new RAK Ceramics Touchless Flushing System, this same ease of use and minimal spreading of germs has finally expanded to the home use toilets. A sensor module mounts underneath the toilet's cistern lid and runs on four AA batteries. It utilizes emerging sensing technology, which projects an electromagnetic field that is both extremely accurate and reliable. This type of sensor detects the user in the projected field and initiates the dual flush: 6 Liters keeping the hand above the spot, or 3 Liters waving the hand.



DUAL FLUSHING:

-  Still hand above the indicated spot for *full flush*.
-  Waving hand above the indicated spot for *half flush*.

Technical Information:

-  Sensor area is within 40mm~60mm from the surface of the cistern lid; effective diameter of the sensor area is within 100mm.
-  Battery life: around 2 years for family use, and 1 year for commercial using.
-  Override lateral push button in case of failed battery.

Models | Modelli | Modèles | Modelle | Модели



62 CM
SENWC1146AWHA
SENWT1805AWHA

Hidden Fixations
Comfort Height 42 CM



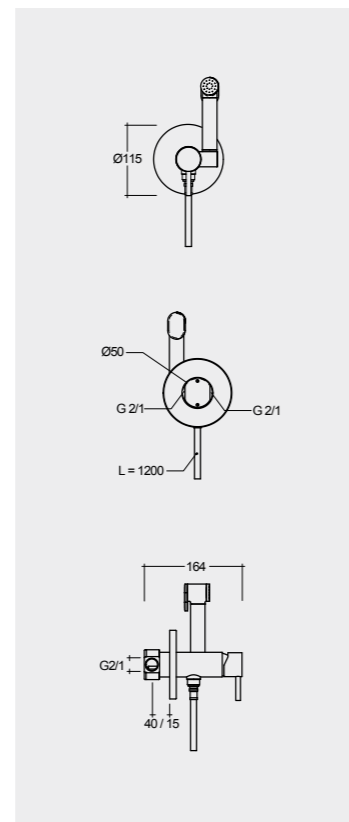
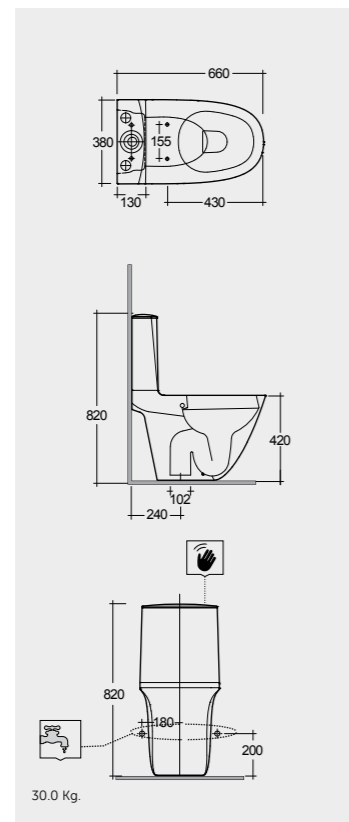
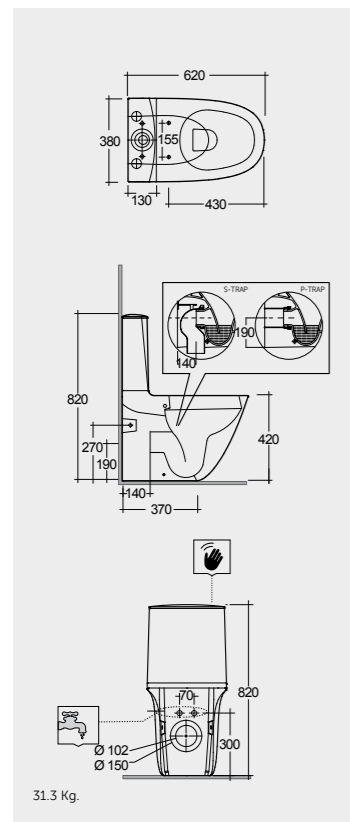
66 CM
SENWC1045AWHA
SENWT1805AWHA

Back Open
Comfort Height 42 CM



SET WITH MIXER (SHATAFF)
BRASS CHROME: SPRDOMX0001

Measurements | Misure | Dimensions | Abmessungen | Размеры



Urea RAK-Sensation
SENSC3900WH
Urea RAK-Sensation
SENSC3901WH

Urea RAK-Sensation
SENSC3900WH
Urea RAK-Sensation
SENSC3901WH

Note | Nota | Remarque | Hinweis | Примечание

All dimensions in mm tolerance $\pm 5\%$ for below 200mm and $\pm 3\%$ for above 200mm | Tutte le dimensioni hanno una tolleranza di $\pm 5\%$ mm al di sotto dei 200mm e di $\pm 3\%$ mm al di sopra dei 200mm | Toutes les dimensions en mm tolérances $\pm 5\%$ pour moins de 200mm et $\pm 3\%$ pour plus de 200mm/ Alle Abmessungen in mm, Toleranz $\pm 5\%$ für unter 200mm, und $\pm 3\%$ für über 200mm | Все размеры указаны в мм, погрешность $\pm 5\%$ ниже 200 мм и $\pm 3\%$ выше 200 мм



Models | Modelli | Modèles | Modelle | Модели



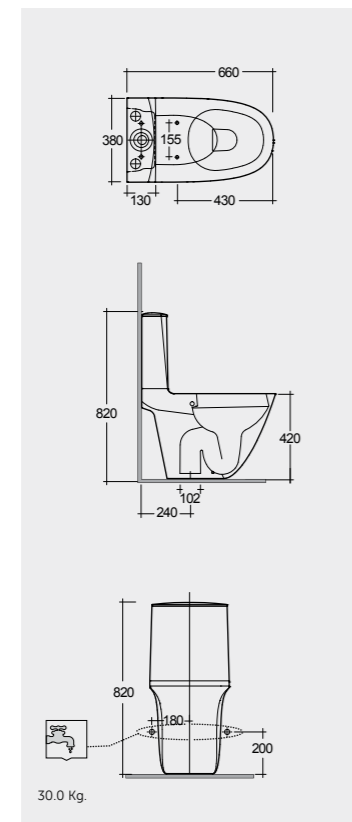
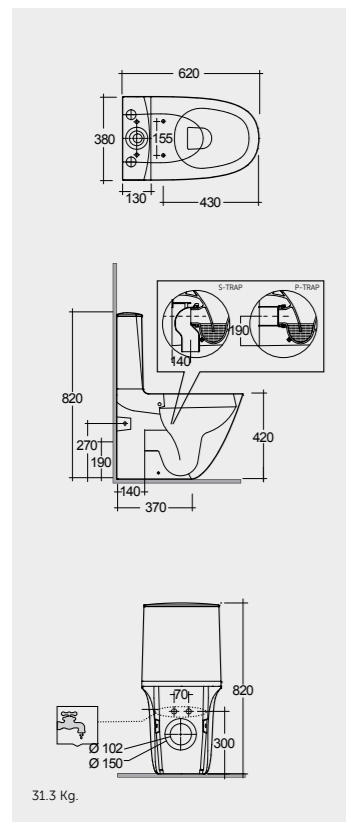
62 CM
SENWC1146AWHA
Bottom Inlet: SENWT1800AWHA
Side Inlet: SENWT1801AWHA

66 CM
SENWC1045AWHA
Bottom Inlet: SENWT1800AWHA
Side Inlet: SENWT1801AWHA

Hidden Fixations
Comfort Height 42 CM

Back Open
Comfort Height 42 CM

Measurements | Misure | Dimensions | Abmessungen | Размеры



Urea RAK-Sensation
SENSC3900WH

Urea RAK-Sensation
SENSC3900WH

Note | Nota | Remarque | Hinweis | Примечание

All dimensions in mm tolerance $\pm 5\%$ for below 200mm and $\pm 3\%$ for above 200mm | Tutte le dimensioni hanno una tolleranza di $\pm 5\%$ mm al di sotto dei 200mm e di $\pm 3\%$ mm al di sopra dei 200mm | Toutes les dimensions en mm tolérance $\pm 5\%$ pour moins de 200mm et $\pm 3\%$ pour plus de 200mm/ Alle Abmessungen in mm, Toleranz $\pm 5\%$ für unter 200mm, und $\pm 3\%$ für über 200mm | Все размеры указаны в мм, погрешность $\pm 5\%$ ниже 200 мм и $\pm 3\%$ выше 200 мм



Models | Modelli | Modèles | Modelle | Модели



52 CM
SENWC1346AWHA

52 CM
SENWC1446AWHA

48 CM
SENWC1447AWHA

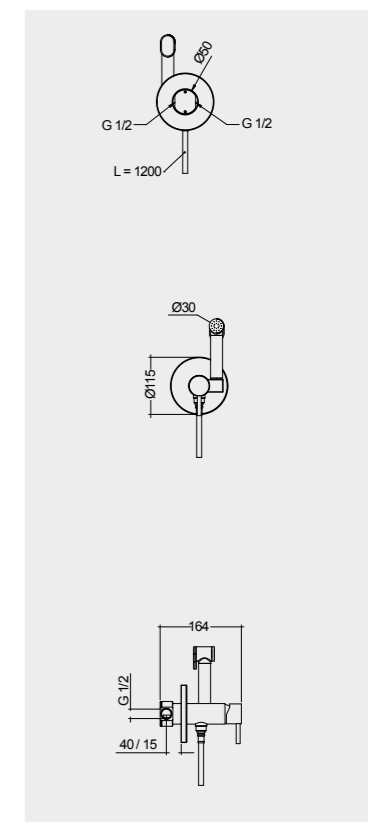
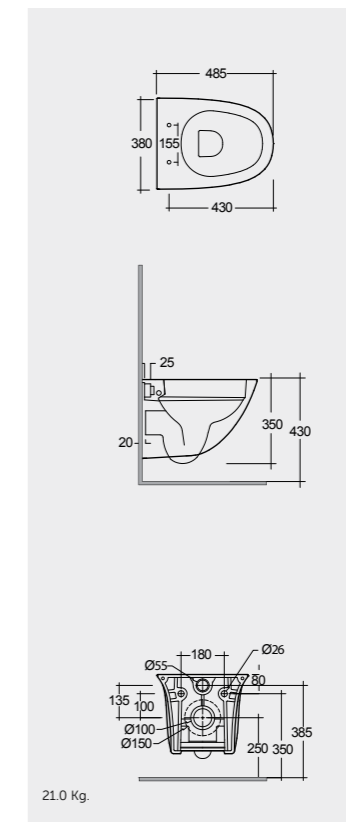
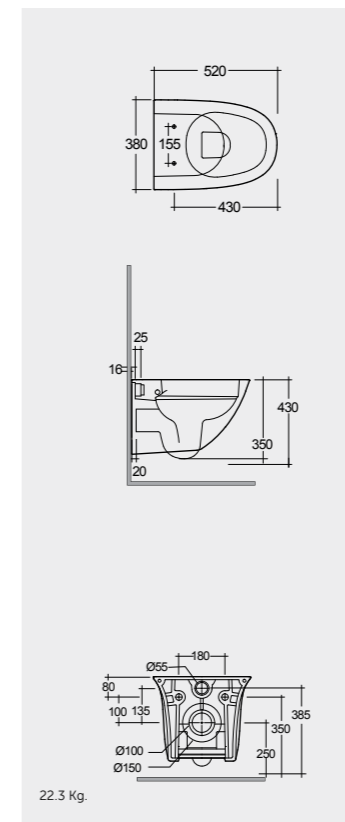
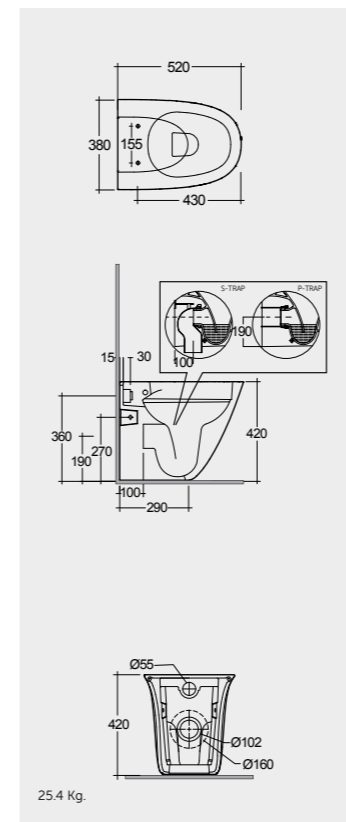
SET WITH MIXER (SHATAFF)
BRASS CHROME : SPRDOMX0001

Hidden Fixations
Comfort Height 42 CM

Hidden Fixations

Hidden Fixations

Measurements | Misure | Dimensions | Abmessungen | Размеры



Urea RAK-Sensation
SENSC3901WH

Urea RAK-Sensation
SENSC3901WH

Urea RAK-Sensation
SENSC3901WH

Urea RAK-Sensation
SENSC3900WH

Urea RAK-Sensation
SENSC3900WH

Models | Modelli | Modèles | Modelle | Модели



52 CM
SENBD2105AWHA



52 CM
SENBD2101AWHA



48 CM
SENBD2104AWHA



FOR BIDET
PP WHITE : BTRBDPPR011
FOR BIDET
ABS CHROME : BTRBDABS010

Hidden Fixations

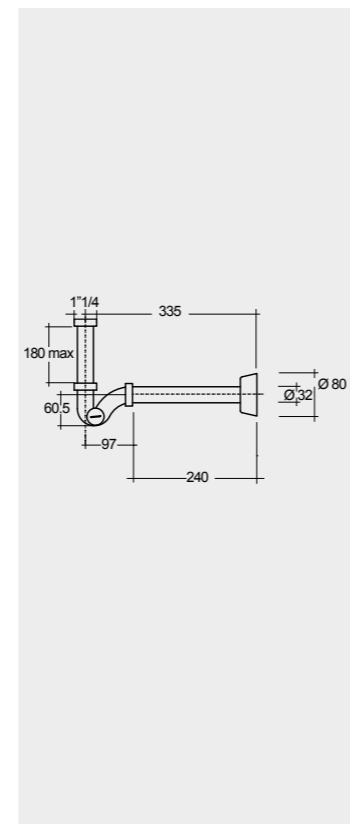
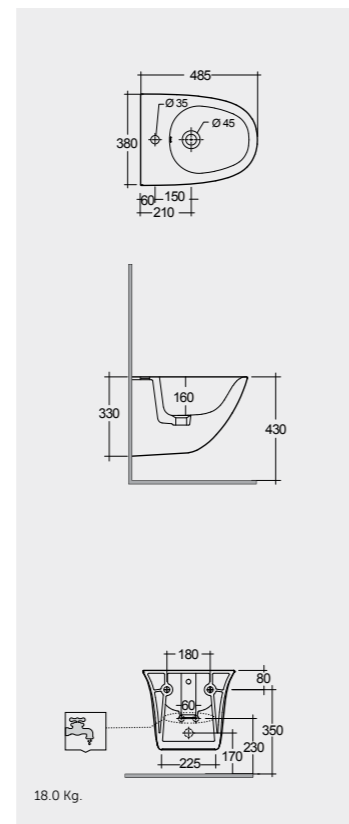
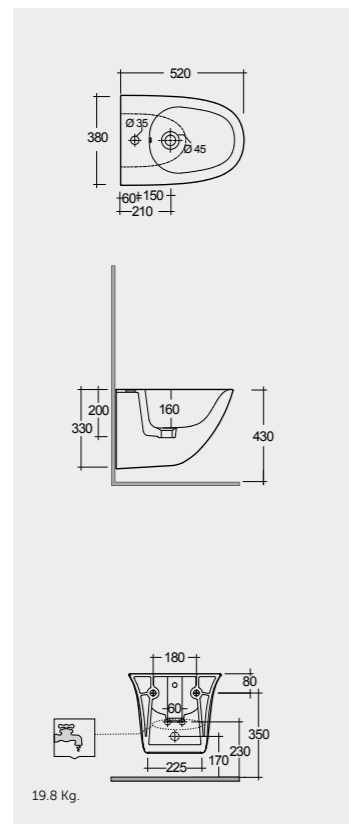
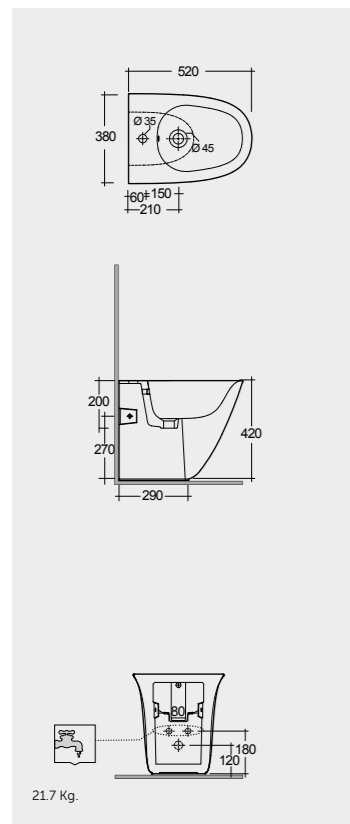
Comfort Height 42 CM

Hidden Fixations

Hidden Fixations

Inspectionable

Measurements | Misure | Dimensions | Abmessungen | Размеры



Note | Nota | Remarque | Hinweis | Примечание

All dimensions in mm tolerance $\pm 5\%$ for below 200mm and $\pm 3\%$ for above 200mm | Tutte le dimensioni hanno una tolleranza di $\pm 5\%$ mm al di sotto dei 200mm e di $\pm 3\%$ mm al di sopra dei 200mm | Toutes les dimensions en mm tolérance $\pm 5\%$ pour moins de 200mm et $\pm 3\%$ pour plus de 200mm/ Alle Abmessungen in mm, Toleranz $\pm 5\%$ für unter 200mm, und $\pm 3\%$ für über 200mm | Все размеры указаны в мм, погрешность $\pm 5\%$ ниже 200 мм и $\pm 3\%$ выше 200 мм



52 CM
SENWC1346AWHA

52 CM
SENBD2015AWHA

RAK-RESORT

RAK-Resort bathroom suits combines aesthetics and practicality in an elegant manner while its compact form uses economically making the bathroom area feel luxuriously spacious

RAK-Resort is available in close coupled back to wall or wall hung formats.

Il completo bagno **RAK-Resort** mette insieme estetica e praticità in modo elegante, mentre l'economia della sua forma compatta rende lussuosamente spaziosa l'area bagno.

RAK-Resort è disponibile nei formati monoblocco, a muro e sospeso.

Les salles de bains pour centres climatiques associent beauté et une fonctionnalité élégante tout en gardant une forme compacte économique qui rend la salle de bains spacieuse et luxurieuse.

RAK-Resort est disponible en formats monoblocs, dos au mur ou suspendus.

RAK-Resort-Badezimmerausstattungen kombinieren Ästhetik und Funktionalität auf eine elegante Weise. Die kompakte Form erschafft ein geräumiges und luxuriöses Gefühl.

RAK-Resort ist in den Formaten geschlossen gekoppelte Rückwandmontage und zum Hängen an der Wand.

Изысканность и практичность элегантно сочетаются в комплекте сантехники **RAK-Resort**: он позволит вам по-настоящему роскошно оформить ванную комнату и сэкономить место!

Комплект RAK-Resort доступен в цвете альпийский белый с подвесным унитазом и унитазом-компакт.



52 CM
RST23AWHA

52 CM
RST07AWHA

Models | Modelli | Modèles | Modelle | Модели



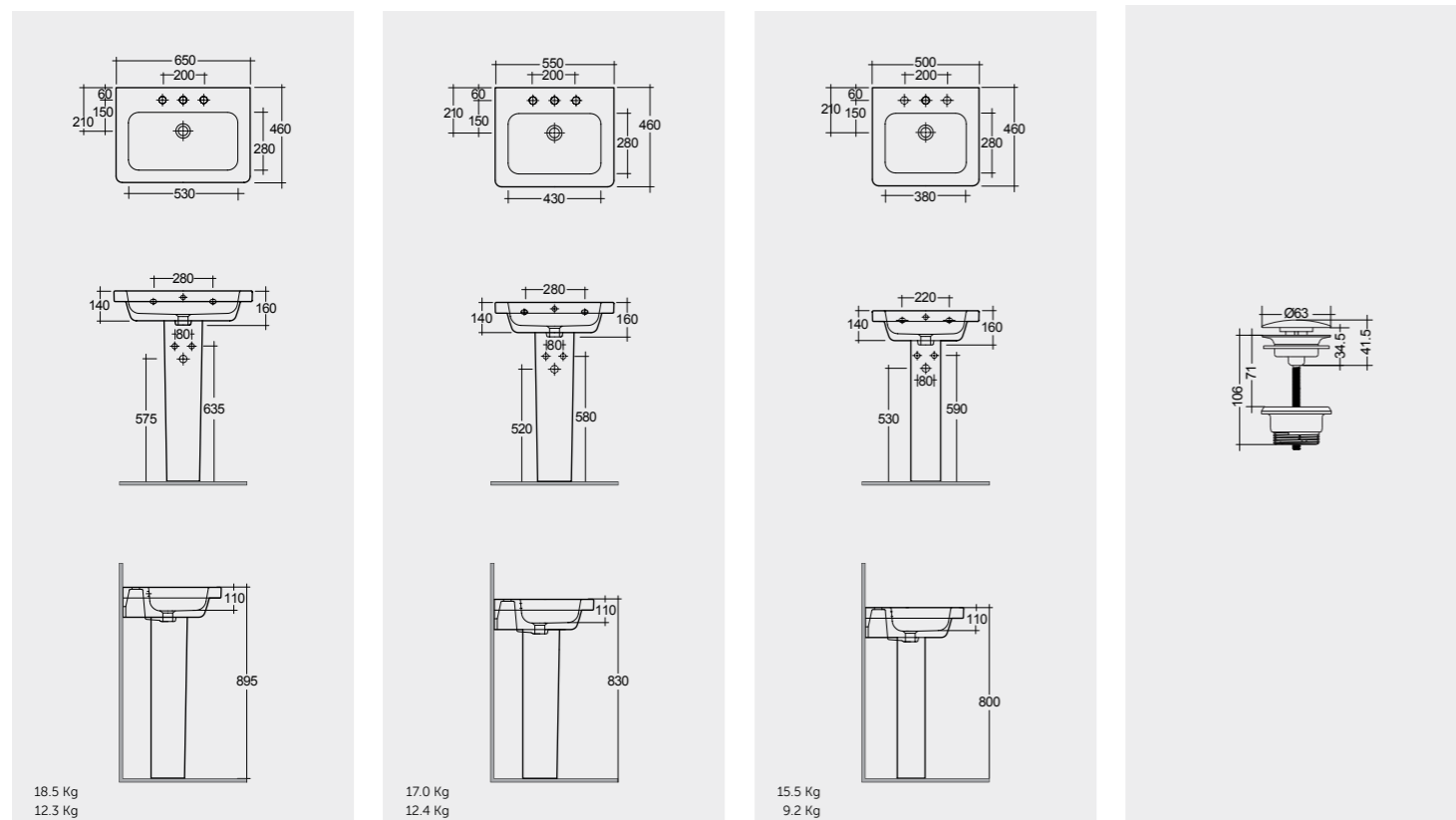
65 CM
REWB00003
REPD00001

55 CM
REWB00002
REPD00001

50 CM
REWB00001
REPD00001

FREE-FLOW WASTE
DUO002444
CLICK-CLACK WASTE
DUO000444

Measurements | Misure | Dimensions | Abmessungen | Размеры



18.5 Kg
12.3 Kg

17.0 Kg
12.4 Kg

15.5 Kg
9.2 Kg

Models | Modelli | Modèles | Modelle | Модели



65 CM
REWB00003
REPD00002

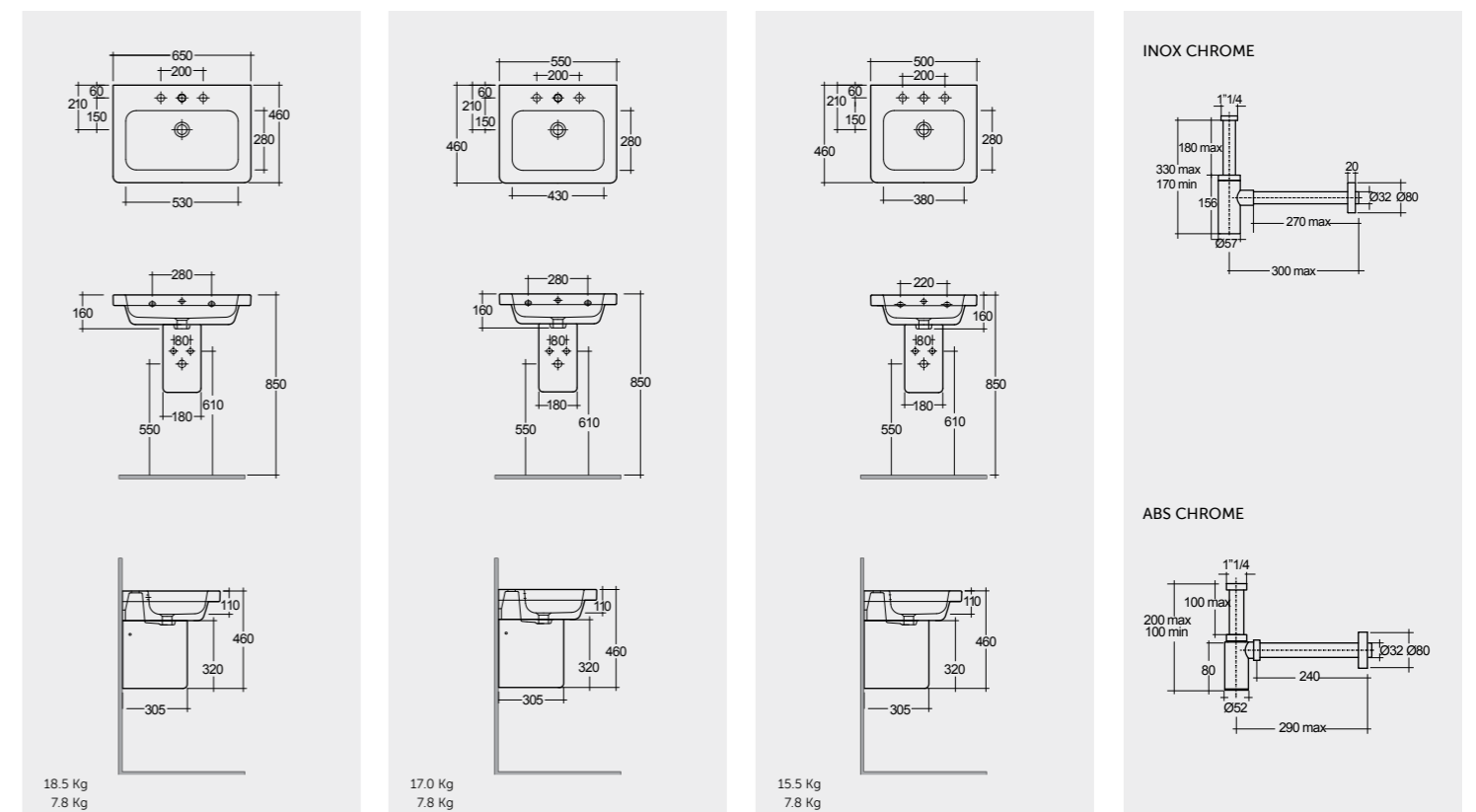
55 CM
REWB00002
REPD00002

50 CM
REWB00001
REPD00002

FOR WASH BASIN
INOX CHROME : BTRWBSST001
ABS CHROME : BTRWBABS002

Inspectionable

Measurements | Misure | Dimensions | Abmessungen | Размеры



18.5 Kg
7.8 Kg

17.0 Kg
7.8 Kg

15.5 Kg
7.8 Kg

Note | Nota | Remarque | Hinweis | Примечание

All dimensions in mm tolerance $\pm 5\%$ for below 200mm and $\pm 3\%$ for above 200mm | Tutte le dimensioni hanno una tolleranza di $\pm 5\%$ mm al di sotto dei 200mm e di $\pm 3\%$ mm al di sopra dei 200mm | Toutes les dimensions en mm tolérance $\pm 5\%$ pour moins de 200mm et $\pm 3\%$ pour plus de 200mm/ Alle Abmessungen in mm, Toleranz $\pm 5\%$ für unter 200mm, und $\pm 3\%$ für über 200mm | Все размеры указаны в мм, погрешность $\pm 5\%$ ниже 200 мм и $\pm 3\%$ выше 200 мм

Models | Modelli | Modèles | Modelle | Модели



45 CM
REWB00006

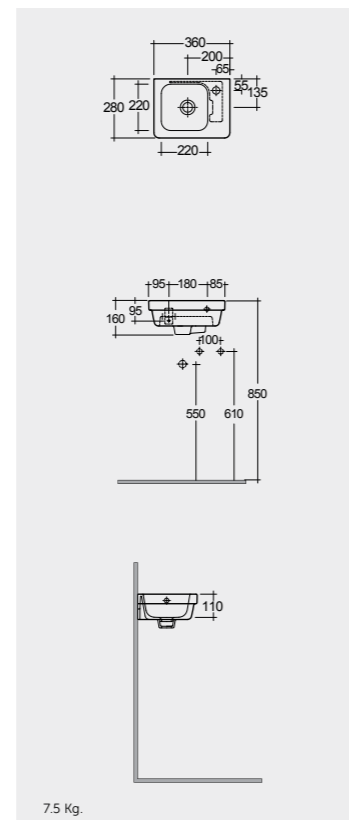
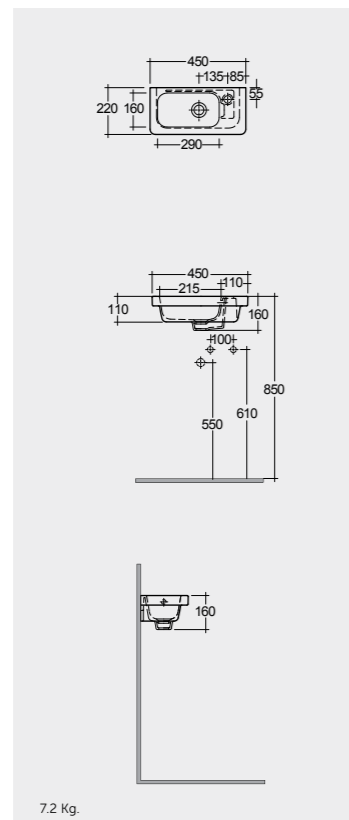
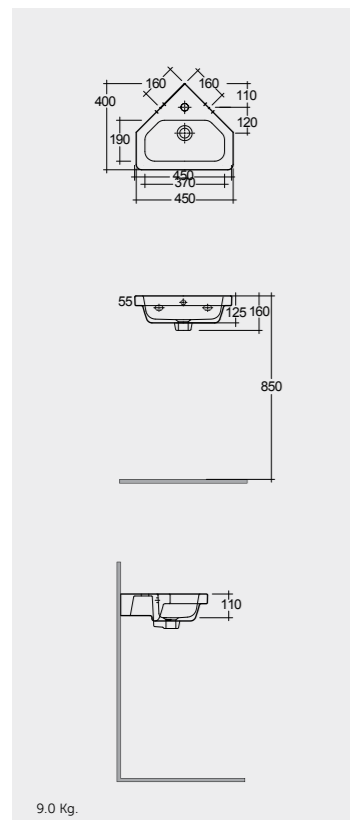


45 CM
REWB00005



36 CM
REWB00004

Measurements | Misure | Dimensions | Abmessungen | Размеры



Note | Nota | Remarque | Hinweis | Примечание

All dimensions in mm tolerance $\pm 5\%$ for below 200mm and $\pm 3\%$ for above 200mm | Tutte le dimensioni hanno una tolleranza di $\pm 5\%$ mm al di sotto dei 200mm e di $\pm 3\%$ mm al di sopra dei 200mm | Toutes les dimensions en mm tolérance $\pm 5\%$ pour moins de 200mm et $\pm 3\%$ pour plus de 200mm / Alle Abmessungen in mm, Toleranz $\pm 5\%$ für unter 200mm, und $\pm 3\%$ für über 200mm | Все размеры указаны в мм, погрешность $\pm 5\%$ ниже 200 мм и $\pm 3\%$ выше 200 мм

Models | Modelli | Modèles | Modelle | Модели



58 CM
REWB00007

Oval



42 CM
FEECT4200AWHA

Round



FREE-FLOW WASTE
DUO002444
CLICK-CLACK WASTE
DUO000444

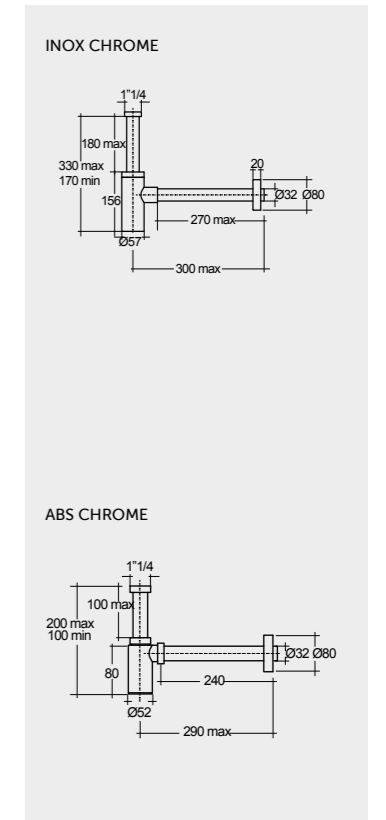
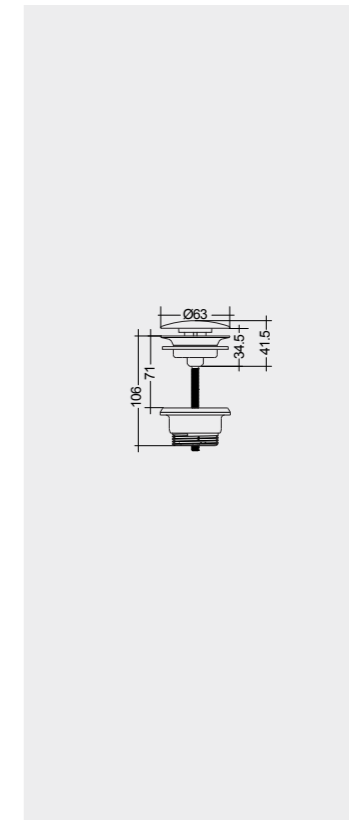
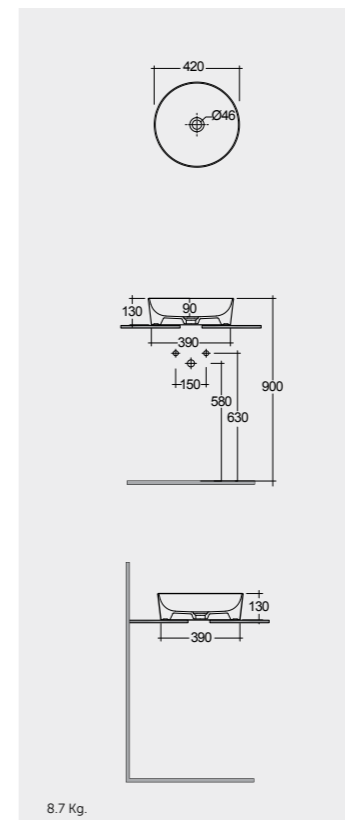
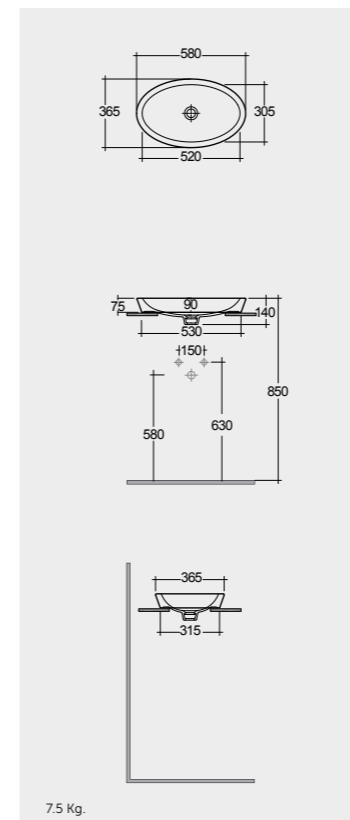


FOR WASH BASIN
INOX CHROME : BTRWBSST001

FOR WASH BASIN
ABS CHROME : BTRWBABS002

Inspectionable

Measurements | Misure | Dimensions | Abmessungen | Размеры



Models | Modelli | Modèles | Modelle | Модели



60 CM
REWC00005
REWT00001

60 CM
REWC00003
REWT00001

65 CM
RST11AWHA
REWT00001

SET WITH MIXER (SHATAFF)
BRASS CHROME : SPRDOMX0001

Back Open

Back Open
Comfort Height 45 CM

Models | Modelli | Modèles | Modelle | Модели



55 CM
RST21AWHA

55 CM
REWC00001

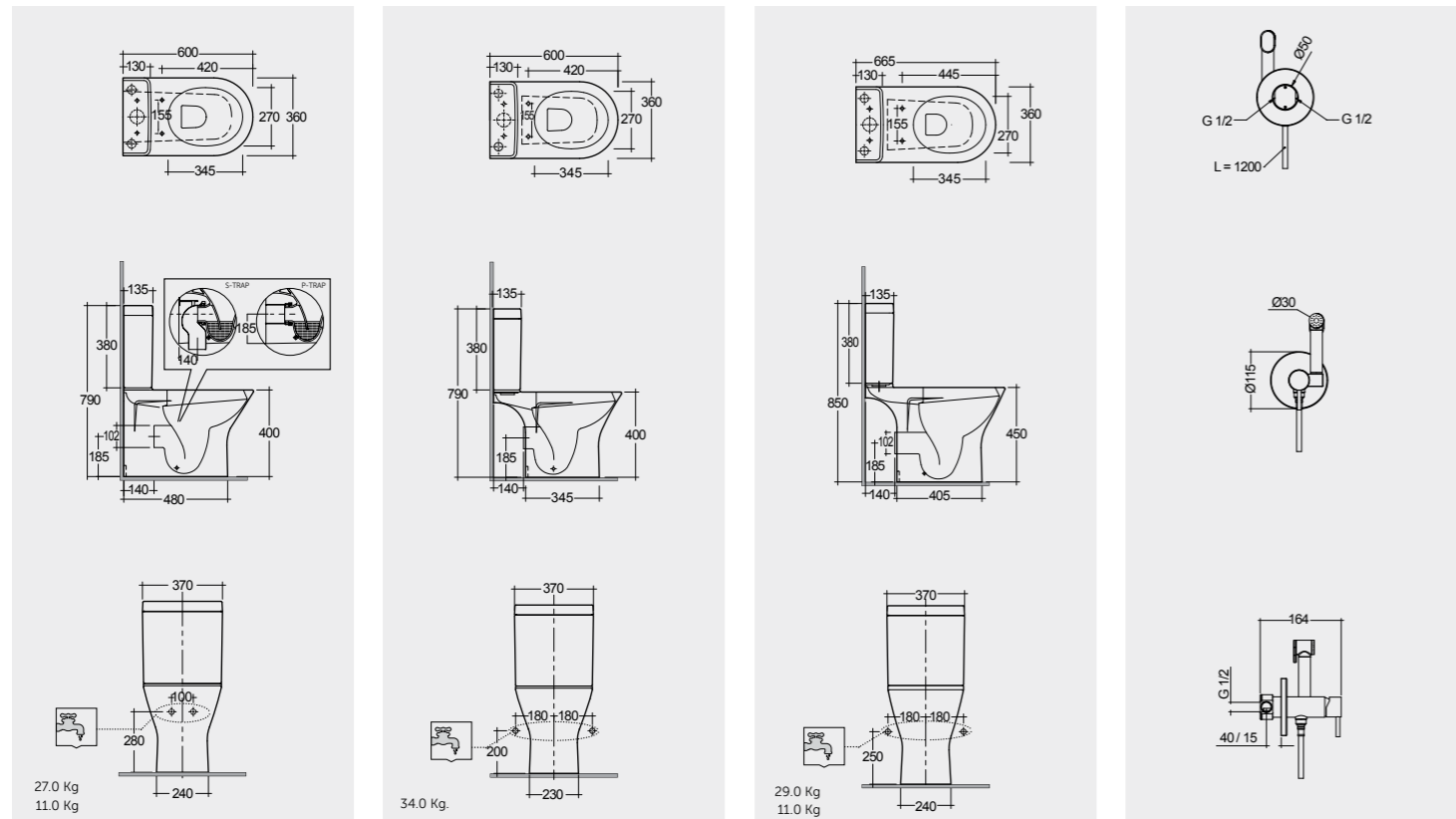
52 CM
RST23AWHA

52 CM
REWC00002

Comfort Height 45 CM

Hidden Fixations

Measurements | Misure | Dimensions | Abmessungen | Размеры



Urea RAK-Resort (Flat)
TGSC00001

Urea RAK-Resort (Flat)
TGSC00001

Urea RAK-Resort (Flat)
TGSC00001

Urea RAK-Resort (Flat)
RESC00004

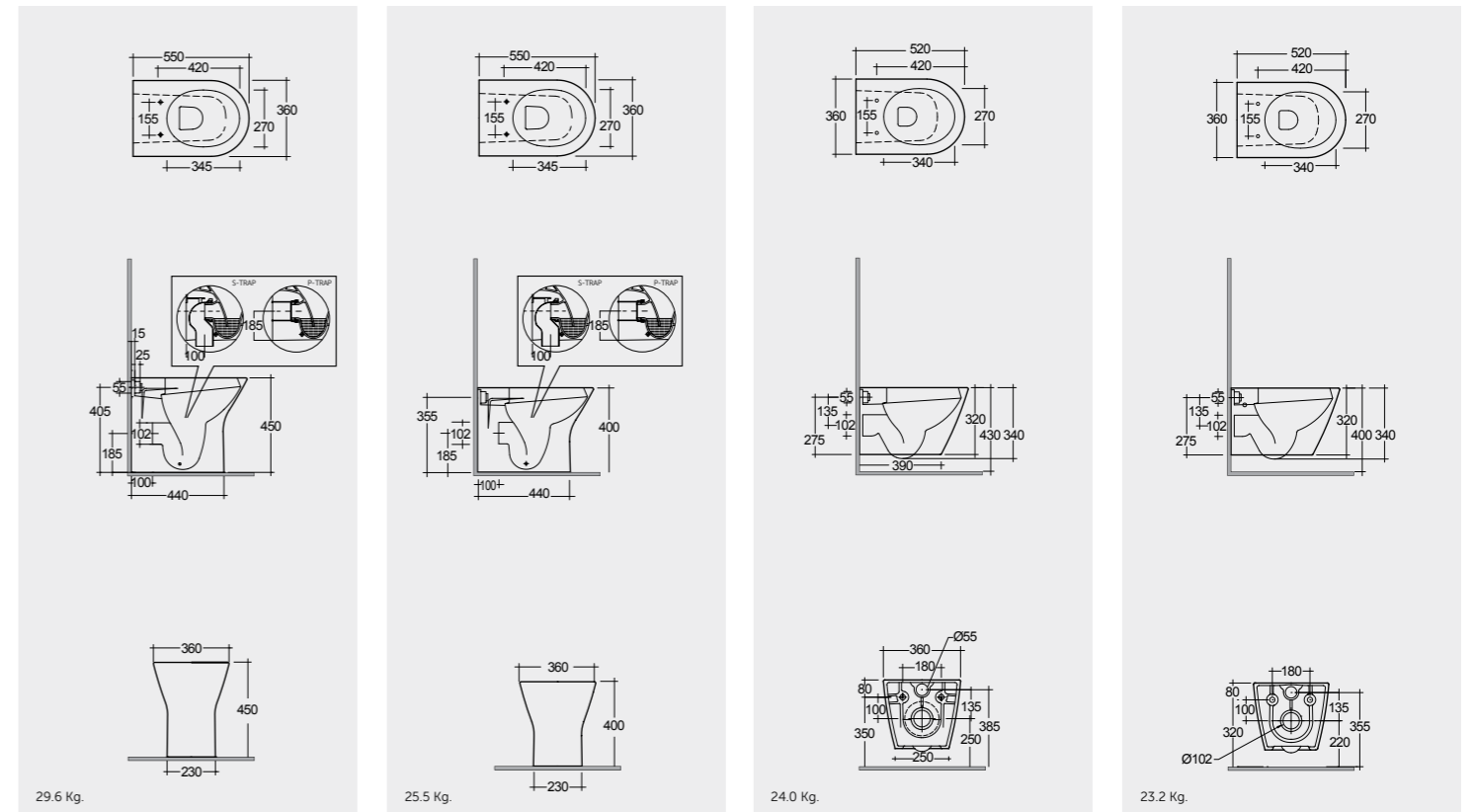
Urea RAK-Resort (Flat)
RESC00004

Urea RAK-Resort (Flat)
RESC00004

Note | Nota | Remarque | Hinweis | Примечание

All dimensions in mm tolerance $\pm 5\%$ for below 200mm and $\pm 3\%$ for above 200mm | Tutte le dimensioni hanno una tolleranza di $\pm 5\%$ mm al di sotto dei 200mm e di $\pm 3\%$ mm al di sopra dei 200mm | Toutes les dimensions en mm tolérance $\pm 5\%$ pour moins de 200mm et $\pm 3\%$ pour plus de 200mm/ Alle Abmessungen in mm, Toleranz $\pm 5\%$ für unter 200mm, und $\pm 3\%$ für über 200mm | Все размеры указаны в мм, погрешность $\pm 5\%$ ниже 200 мм и $\pm 3\%$ выше 200 мм

Measurements | Misure | Dimensions | Abmessungen | Размеры



Urea RAK-Resort (Flat)
TGSC00001

Urea RAK-Resort (Flat)
TGSC00001

Urea RAK-Resort (Flat)
TGSC00001

Urea RAK-Resort (Flat)
TGSC00001

Urea RAK-Resort (Flat)
RESC00004

Urea RAK-Resort (Flat)
RESC00004

Urea RAK-Resort (Flat)
RESC00004

Urea RAK-Resort (Flat)
RESC00004

Models | Modelli | Modèles | Modelle | Модели



55 CM
REBI00001



52 CM
RST07AWHA

Hidden Fixations



52 CM
REBI00002

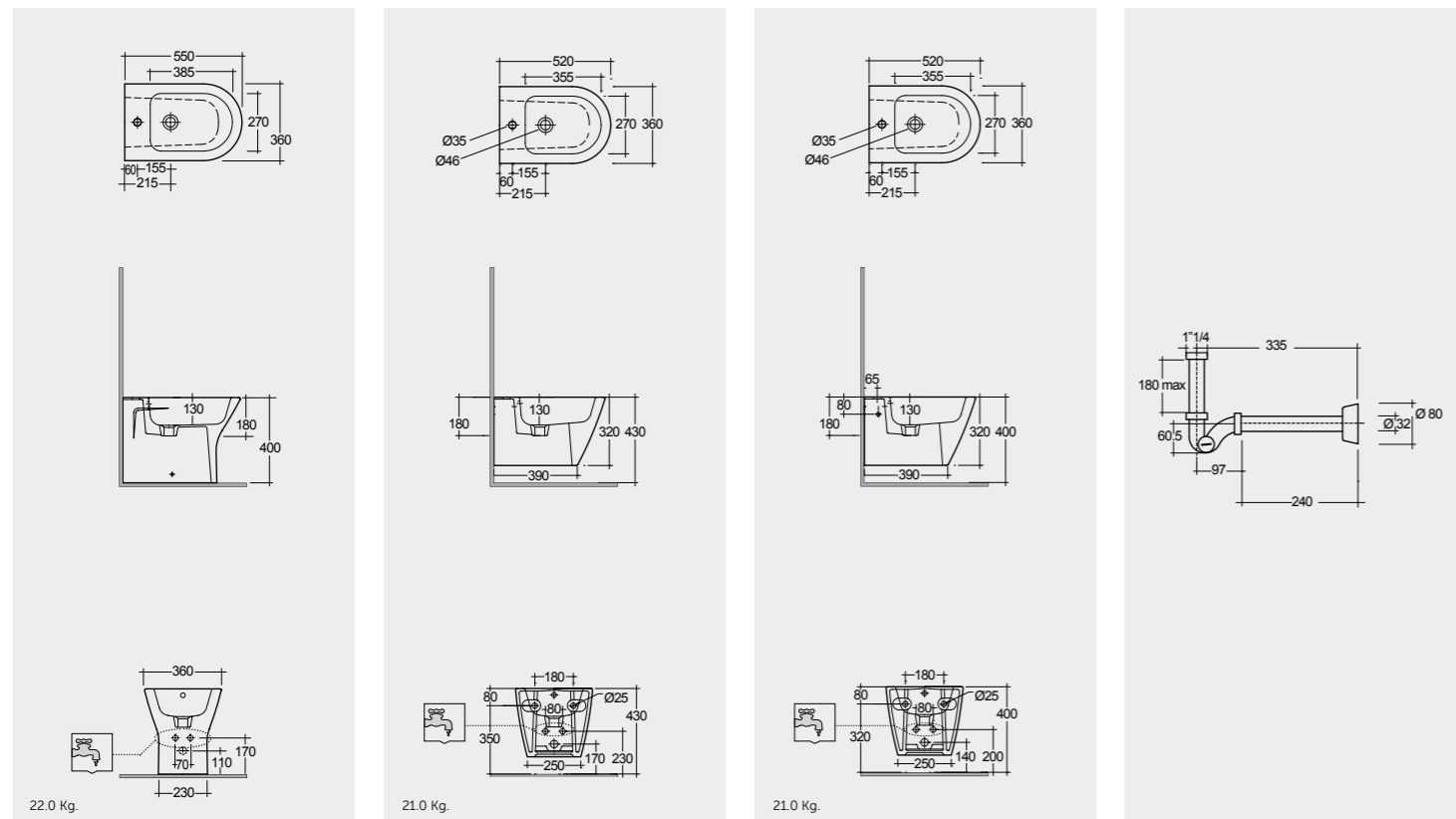


FOR BIDET
ABS CHROME : BTRBDABS010

FOR BIDET
PP WHITE : BTRBDPPR011

Inspectionable

Measurements | Misure | Dimensions | Abmessungen | Размеры



Note | Nota | Remarque | Hinweis | Примечание

All dimensions in mm tolerance $\pm 5\%$ for below 200mm and $\pm 3\%$ for above 200mm | Tutte le dimensioni hanno una tolleranza di $\pm 5\%$ mm al di sotto dei 200mm e di $\pm 3\%$ mm al di sopra dei 200mm | Toutes les dimensions en mm tolérance $\pm 5\%$ pour moins de 200mm et $\pm 3\%$ pour plus de 200mm/ Alle Abmessungen in mm, Toleranz $\pm 5\%$ für unter 200mm, und $\pm 3\%$ für über 200mm | Все размеры указаны в мм, погрешность $\pm 5\%$ ниже 200 мм и $\pm 3\%$ выше 200 мм



55 CM
REWC00001

55 CM
RST14AWHA

RAK-METROPOLITAN

RAK-Metropolitan bathroom suite has a uniquely designed shape giving a touch of finesse to the bathroom.

RAK-Metropolitan is available in close coupled, back to wall or wall hung formats.

Il completo bagno **RAK-Metropolitan** ha un design esclusivo che conferisce al bagno un tocco di raffinatezza.

RAK-Metropolitan è disponibile nei formati monoblocco, a muro e sospeso.

Les salles de bains **RAK-Métropolitaines** possèdent une structure unique qui donne une touche de finesse à la salle de bains.

Ce modèle est disponible en formats monoblocs, dos au mur ou suspendus.

Die **RAK-Metropolitan** Badezimmerausstattung verfügt über eine einzigartig gestaltete Form, was ihr einen Hauch von Finesse gibt.

RAK-Metropolitan ist in den Formaten geschlossen gekoppelte Rückwandmontage und zum Hängen an der Wand.

Уникальный дизайн комплекта для ванной комнаты **RAK-Metropolitan** воплощает изящество и роскошь.

Почувствуйте себя как в отеле Metropolitan! Комплект доступен с унитазом-компакт, подвесным и пристенным унитазами в семи различных расцветках.



50 CM
FEECT5000AWHA

52 CM
MP34AWHA

52 CM
MP18AWHA

RAK-METROPOLITAN

Models | Modelli | Modèles | Modelle | Модели



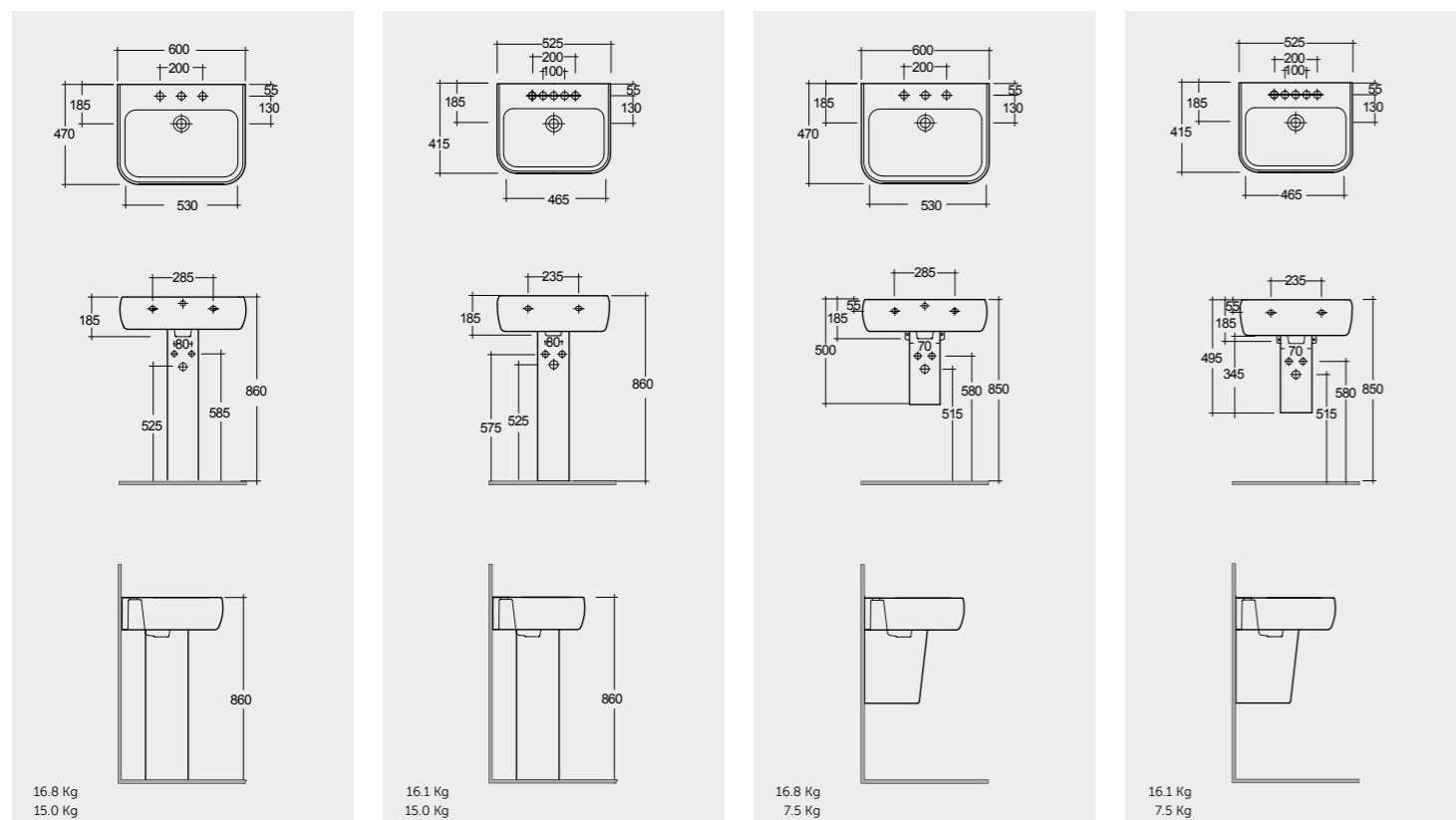
60 CM
MEWB00001
MEPD00001

52 CM
MEWB00002
MEPD00001

60 CM
MEWB00001
MEPD00002

52 CM
MEWB00002
MEPD00002

Measurements | Misure | Dimensions | Abmessungen | Размеры



Note | Nota | Remarque | Hinweis | Примечание

All dimensions in mm tolerance $\pm 5\%$ for below 200mm and $\pm 3\%$ for above 200mm | Tutte le dimensioni hanno una tolleranza di $\pm 5\%$ mm al di sotto dei 200mm e di $\pm 3\%$ mm al di sopra dei 200mm | Toutes les dimensions en mm tolérance $\pm 5\%$ pour moins de 200mm et $\pm 3\%$ pour plus de 200mm/ Alle Abmessungen in mm, Toleranz $\pm 5\%$ für unter 200mm, und $\pm 3\%$ für über 200mm | Все размеры указаны в мм, погрешность $\pm 5\%$ ниже 200 мм и $\pm 3\%$ выше 200 мм

Models | Modelli | Modèles | Modelle | Модели



42 CM
MP0701AWHA
MP0103AWHA

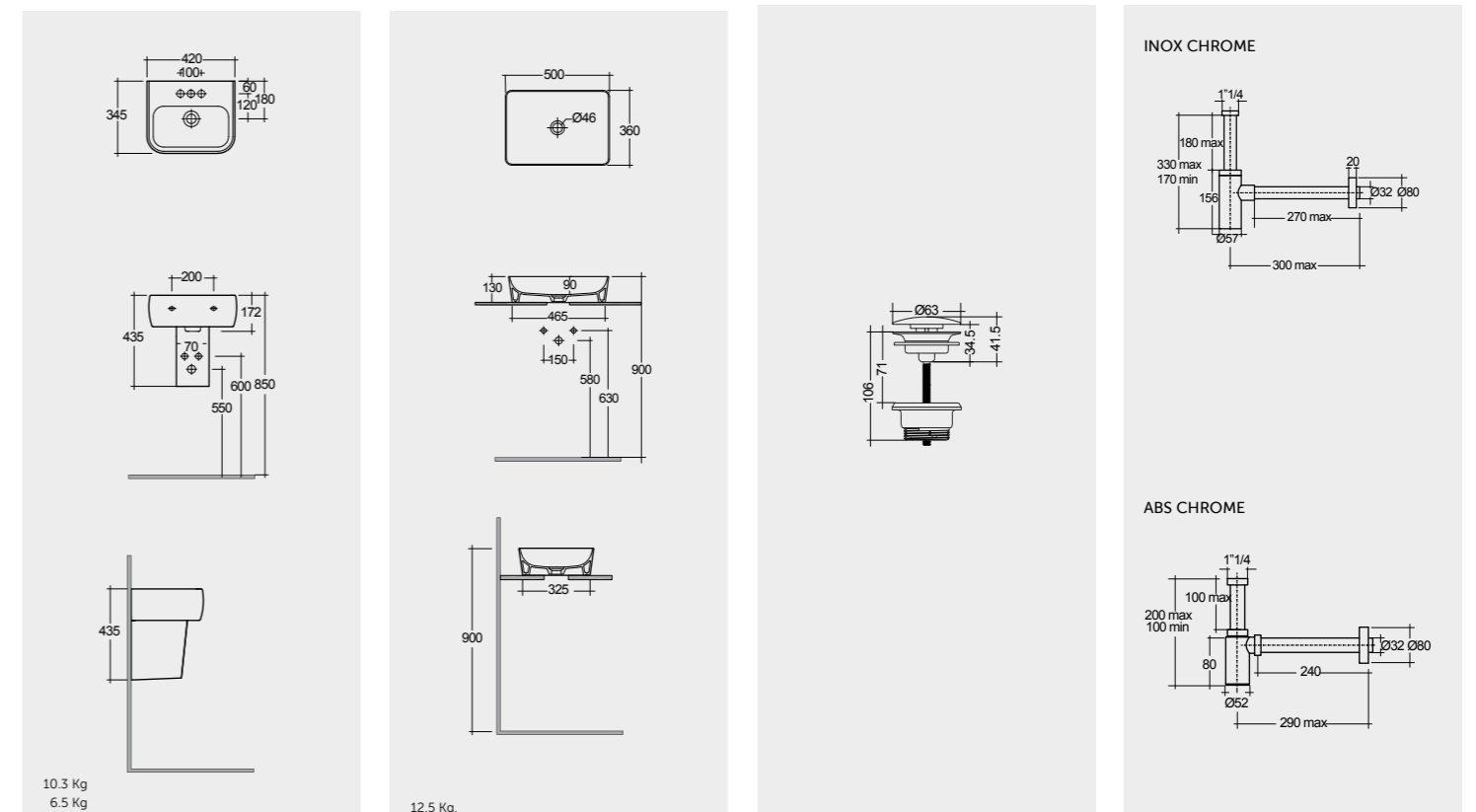
50 CM
FEECT5000AWHA
Rectangular

FREE-FLOW WASTE
DUO002444
CLICK-CLACK WASTE
DUO000444

FOR WASH BASIN
INOX CHROME : BTRWBSST001
FOR WASH BASIN
ABS CHROME : BTRWBABS002

Inspectionable

Measurements | Misure | Dimensions | Abmessungen | Размеры

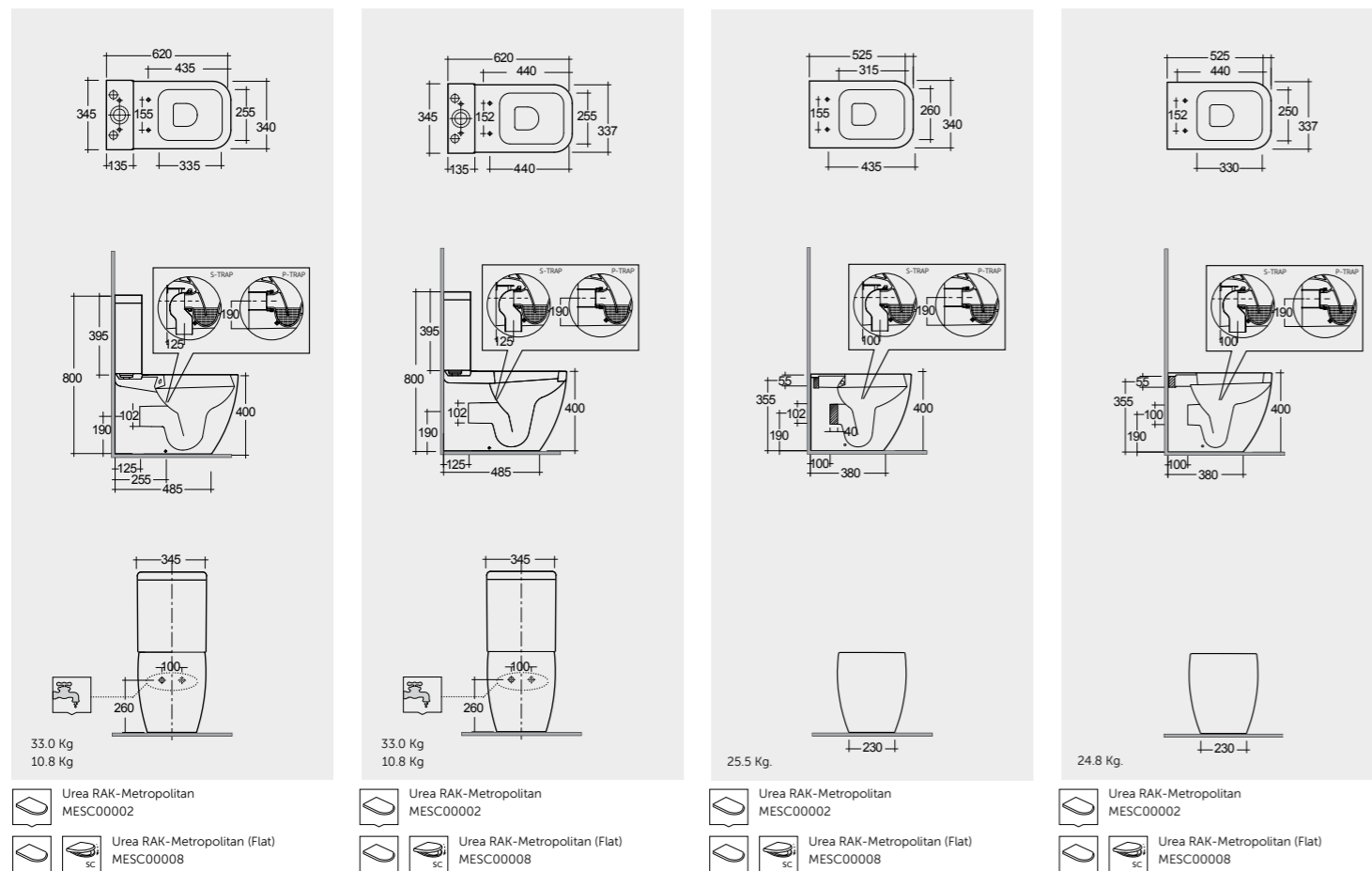


Modelli | Modèles | Modelle | Модели



62 CM MP29AWHA MEWT00001
 62 CM MEWC00003 MEWT00001
 52 CM MP34AWHA
 52 CM MEWC00001

Measurements | Misure | Dimensions | Abmessungen | Размеры



Note | Nota | Remarque | Hinweis | Примечание

All dimensions in mm tolerance $\pm 5\%$ for below 200mm and $\pm 3\%$ for above 200mm | Tutte le dimensioni hanno una tolleranza di $\pm 5\%$ mm al di sotto dei 200mm e di $\pm 3\%$ mm al di sopra dei 200mm | Toutes les dimensions en mm tolérance $\pm 5\%$ pour moins de 200mm et $\pm 3\%$ pour plus de 200mm/ Alle Abmessungen in mm, Toleranz $\pm 5\%$ für unter 200mm, und $\pm 3\%$ für über 200mm | Все размеры указаны в мм, погрешность $\pm 5\%$ ниже 200 мм и $\pm 3\%$ выше 200 мм

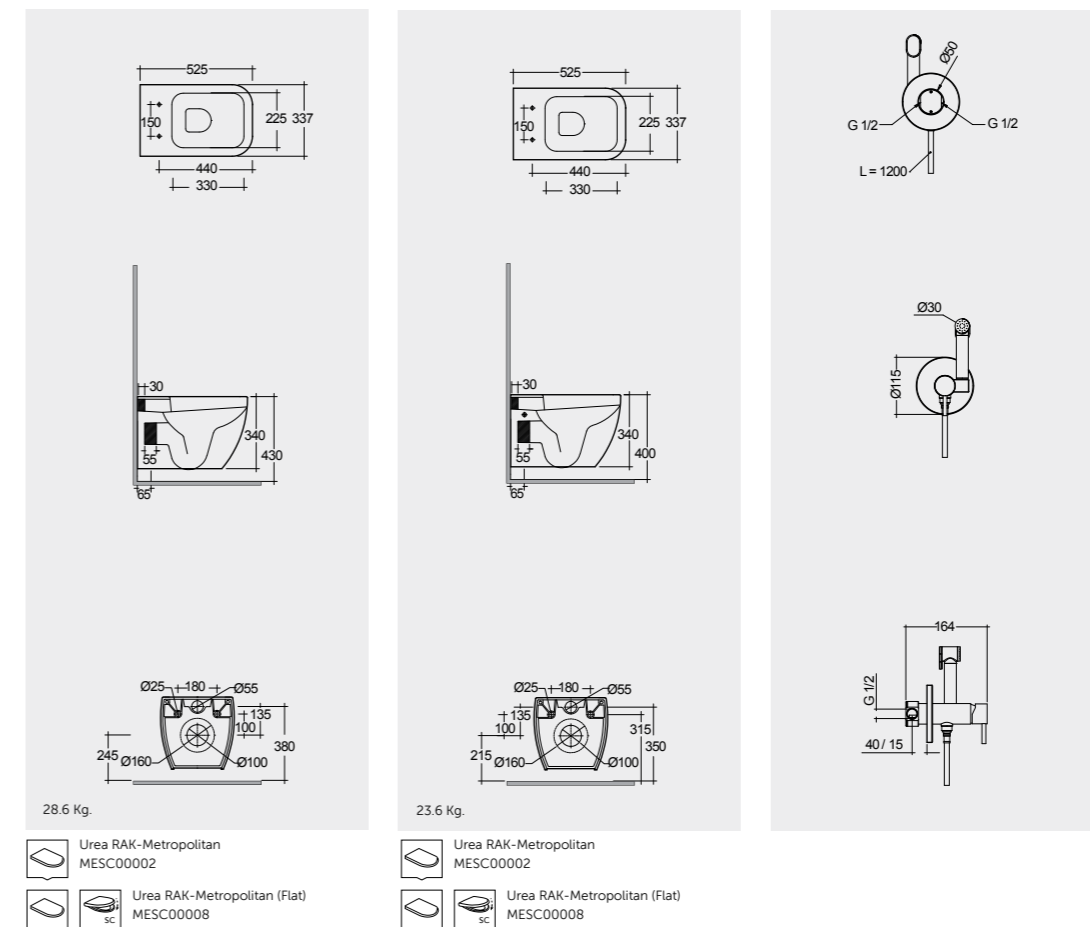
Modelli | Modèles | Modelle | Модели



52 CM MP13AWHA
 52 CM MEWC00002
 SET WITH MIXER (SHATAFF) BRASS CHROME : SPRDOMX0001

Hidden Fixations

Measurements | Misure | Dimensions | Abmessungen | Размеры



Models | Modelli | Modèles | Modelle | Модели



52 CM
MEBI00001



52 CM
MP07AWHA

Hidden Fixations



52 CM
MEBI00002

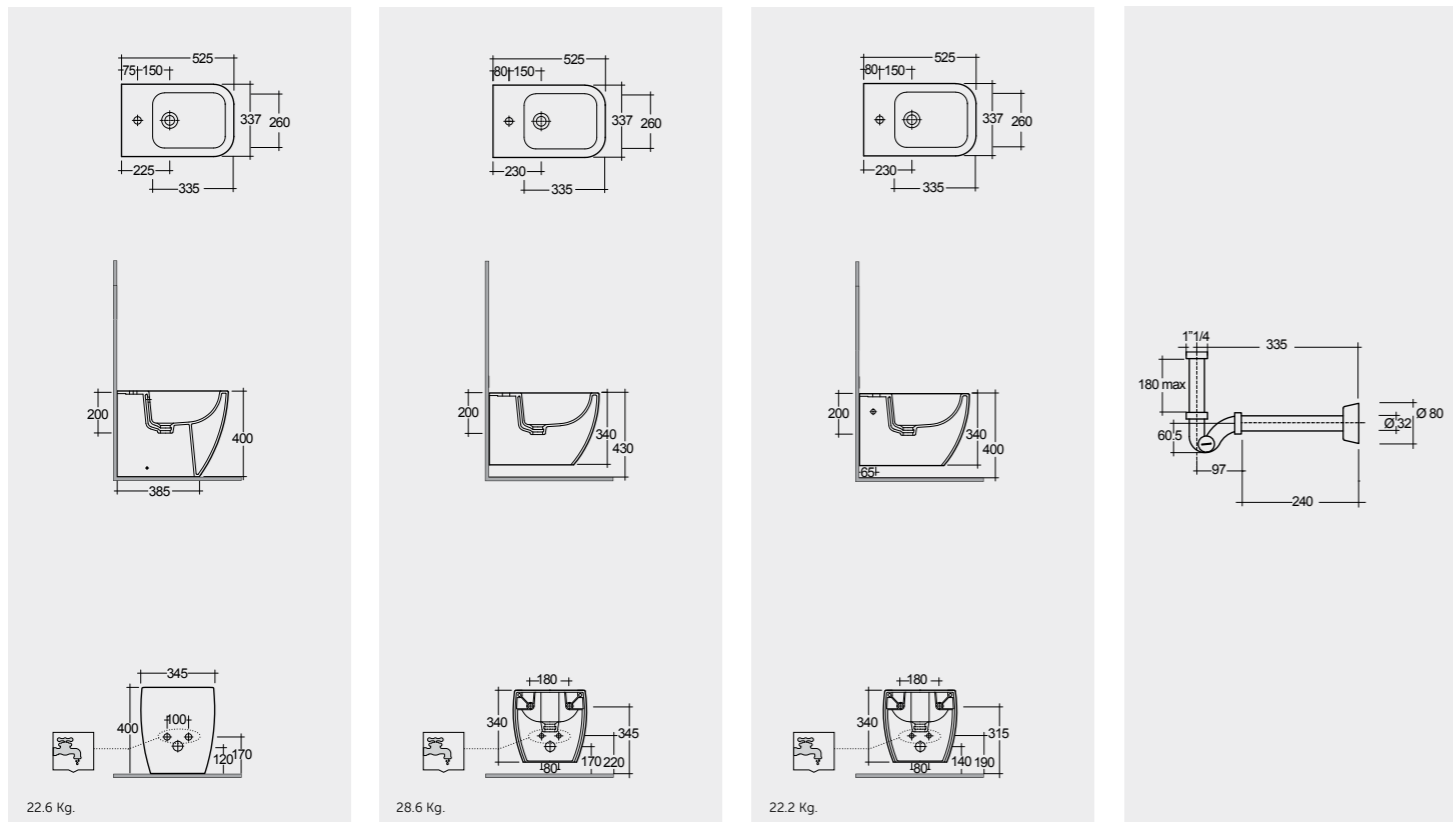


FOR BIDET
ABS CHROME : BTRBDABS010

FOR BIDET
PP WHITE : BTRBDPPR011

Inspectionable

Measurements | Misure | Dimensions | Abmessungen | Размеры



Note | Nota | Remarque | Hinweis | Примечание

All dimensions in mm tolerance $\pm 5\%$ for below 200mm and $\pm 3\%$ for above 200mm | Tutte le dimensioni hanno una tolleranza di $\pm 5\%$ mm al di sotto dei 200mm e di $\pm 3\%$ mm al di sopra dei 200mm | Toutes les dimensions en mm tolérance $\pm 5\%$ pour moins de 200mm et $\pm 3\%$ pour plus de 200mm/ Alle Abmessungen in mm, Toleranz $\pm 5\%$ für unter 200mm, und $\pm 3\%$ für über 200mm | Все размеры указаны в мм, погрешность $\pm 5\%$ ниже 200 мм и $\pm 3\%$ выше 200 мм



52 CM
MP13AWHA

52 CM
MP07AWHA

RAK-WASHINGTON

RAK-Washington Perfect, absolute shapes reveal the origins of the concept of elegance and give a tangible meaning to the word "beauty". Pure, intense, calming, timeless, beauty transforms spaces and remains forever engraved in the memory of those who for a moment stop to admire it, in silence.

RAK-Washington Forme perfette, assolute, svelano le origini del concetto di eleganza e danno un significato tangibile alla parola "bellezza". Pura, intensa, imperturbabile, la bellezza supera il tempo e trasforma lo spazio e resta per sempre scolpita nella memoria di chi per un attimo si ferma ad ammirarla, in silenzio.

RAK-Washington Formes parfaites et absolues qui révèlent les origines du concept de l'élégance et donnent une signification tangible à la parole "beauté". Pure, intensive, imperturbable, la beauté surmonte le temps, transforme l'espace et reste pour toujours gravée dans la mémoire de celui qui, pour un moment, s'arrête à l'admirer silencieusement.

RAK-Washington Perfekte und absolute Formen, die die Ursprünge des Eleganzkonzepts enthüllen und dem Wort "Schönheit" eine fassbare Bedeutung verleihen. Pur, intensiv und unerschütterlich, überwindet Schönheit die Zeit, verwandelt den Raum und bleibt für immer im Gedächtnis derer, die für einen Augenblick innehalten, um sie im Stillen zu bewundern.

Совершенные, абсолютные формы раскрывают истоки концепции элегантности и придают осязаемый смысл слову "красота". Чистая, сильная, успокаивающая, вневременная, красивая коллекция RAK-Washington преобразует пространство и навсегда запечатлится в памяти тех, кто на мгновение остановился, чтобы полюбоваться на неё... в тишине.



156X81 CM
WTBT15681505



505

58 CM
WT21AWHA
CISTERN : WT23AWHA
FITTINGS : FTWTLOCIST



505

58 CM
WT07AWHA

RAK-WASHINGTON

Models | Modelli | Modèles | Modelle | Модели



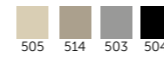
156X81 CM
WTBT15681500

Drain Included

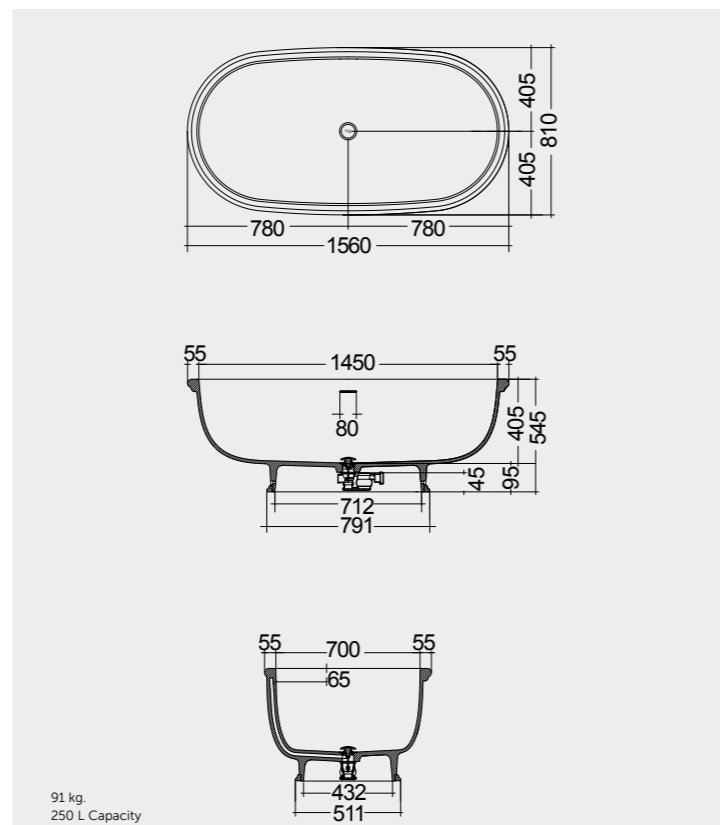
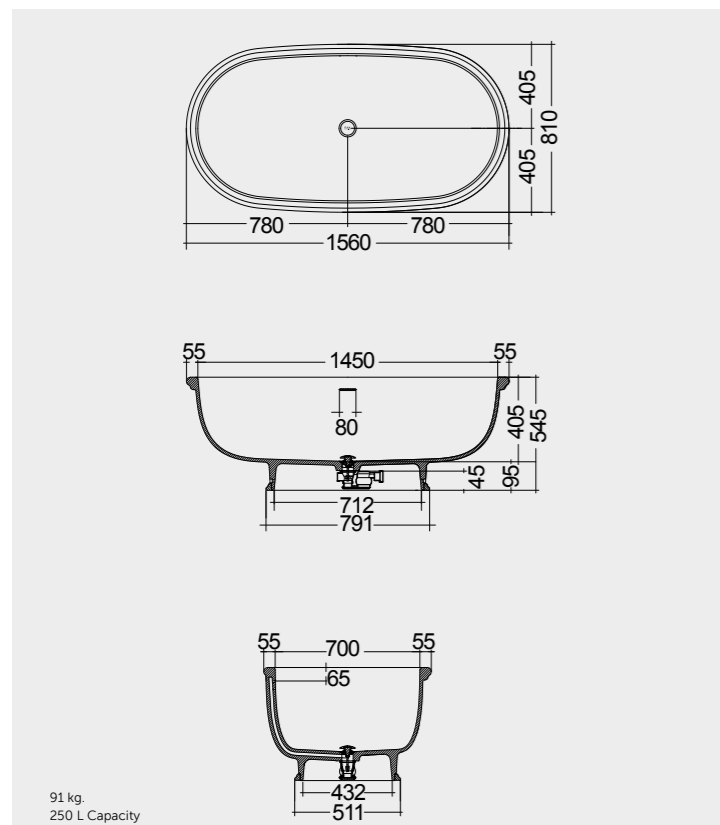


156X81 CM
WTBT15681505

Drain Included



Measurements | Misure | Dimensions | Abmessungen | Размеры



Note | Nota | Remarque | Hinweis | Примечание

All dimensions in mm tolerance $\pm 5\%$ for below 200mm and $\pm 3\%$ for above 200mm | Tutte le dimensioni hanno una tolleranza di $\pm 5\%$ mm al di sotto dei 200mm e di $\pm 3\%$ mm al di sopra dei 200mm | Toutes les dimensions en mm tolérance $\pm 5\%$ pour moins de 200mm et $\pm 3\%$ pour plus de 200mm/ Alle Abmessungen in mm, Toleranz $\pm 5\%$ für unter 200mm, und $\pm 3\%$ für über 200mm | Все размеры указаны в мм, погрешность $\pm 5\%$ ниже 200 мм и $\pm 3\%$ выше 200 мм



156X81 CM
WTBT15681514



FREE STANDING BATHTUBS IN RAK SOLID

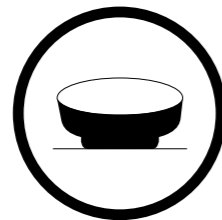
DESIGN AND FUNCTIONALITY

STILE E FUNZIONALITÀ | STYLE ET FONCTIONNALITÉ | STIL UND FUNKTIONALITÄT | ДИЗАЙН И ФУНКЦИОНАЛЬНОСТЬ

RAK-Washington bathtubs are made of RAKSOLID, a durable material composed of a mixture of natural minerals and resins. The elegant matte white finish gives a distinctive feel to the bathing area, as well as a pleasant to the touch and more anti-slip safety.



PLEASANT TO TOUCH
PIACEVOLE AL TATTO
AGRÉABLE À TOUCHER
ANGENEHM ZUM TASTEN
ПРИЯТНО ПРИКАСАТЬСЯ



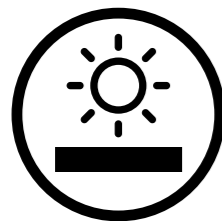
EXTERNAL LACQUERING
LACCATURA ESTERNA
LAQUAGE EXTERIEUR
AUSSENLACKIERUNG
ВНЕШНЯЯ ЛАКИРОВКА



HYGIENIC AND BACTERIOSTATIC
IGIENICO E BATTERIOSTATICO
HYGIENIQUE ET BACTÉRIOSTATIQUE
HYGIENISCH UND BAKTERIOSTATISCH
ГИГИЕНИЧНО И БАКТЕРИОСТАТИЧНО



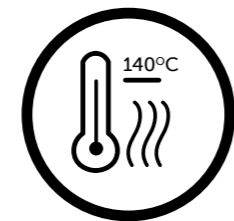
SLIP RESISTANCE
ANTISCIVOLO
ANTI GLISSANT
RUTSCHFEST
СОПРОТИВЛЯЕМОСТЬ СКОЛЬЖЕНИЮ



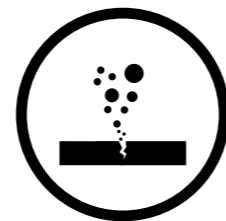
LIGHT FASTNESS
RESISTENTE ALLE VARIAZIONI DI LUCE
RÉSISTANT AUX VARIATIONS DE LUMIÈRE
RESISTENT GEGEN LICHTWECHSELWIRKUNGEN
СВЕТСТОЙКОСТЬ



RESISTANT TO CHEMICAL PRODUCTS
RESISTENTE AI PRODOTTI CHIMICI
RÉSISTANT AUX PRODUITS CHIMIQUES
RESISTENT GEGEN CHEMISCHE PRODUKTE
СОПРОТИВЛЯЕМОСТЬ ХИМИЧЕСКИМ ПРОДУКТАМ



HEAT RESISTANT UP TO 140°C
RESISTENZA AL CALORE FINO A 140°
RÉSISTANCE À LA CHALEUR JUSQU'À 140°
HITZEBESTÄNDIGKEIT BIS 140°
СОПРОТИВЛЯЕМОСТЬ НАГРЕВУ (ДО 140°C)



REPAIR
RIPARABILE IN CASO DI GRAFFI
RÉPARABLES EN CAS D'ÉGRATIGNURES
REPARIERBAR BEI KRATZERN
ВОССТАНОВЛЕНИЕ



MATT WHITE (500)

MATT GREIGE (505)

MATT CAPPUCCINO (514)

MATT GREY (503)

MATT BLACK (504)

Models | Modelli | Modèles | Modelle | Модели



108 CM
LADE00001
LADE00002

Deluxe



84 CM
LAAL00001
LAAL00002

Alexandra



FOR WASH BASIN
INOX CHROME : BTRWBSST001

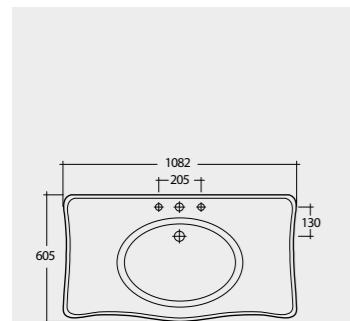
Inspectionable



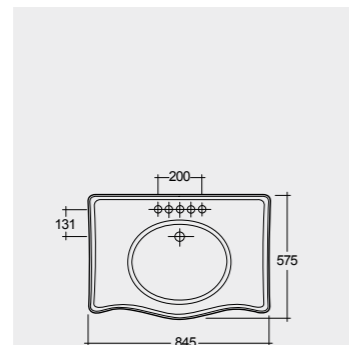
FOR WASH BASIN
ABS CHROME : BTRWBSST002

Inspectionable

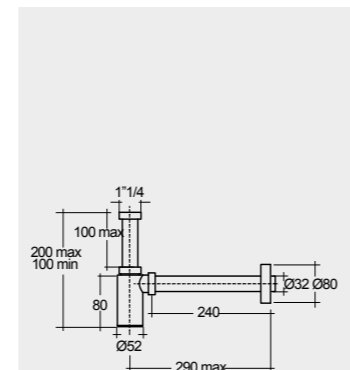
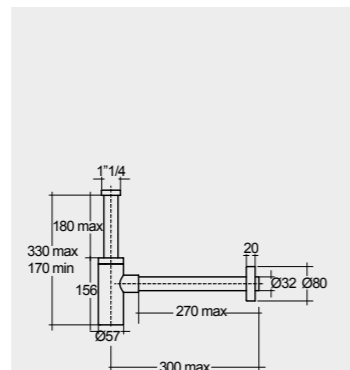
Measurements | Misure | Dimensions | Abmessungen | Размеры



39.0 Kg.
8.5 kg.



27.0 Kg.
8.5 kg.



108 CM
DC0101AWHA
AL0102AWHA

Deluxe

Note | Nota | Remarque | Hinweis | Примечание

All dimensions in mm tolerance $\pm 5\%$ for below 200mm and $\pm 3\%$ for above 200mm | Tutte le dimensioni hanno una tolleranza di $\pm 5\%$ mm al di sotto dei 200mm e di $\pm 3\%$ mm al di sopra dei 200mm | Toutes les dimensions en mm tolérance $\pm 5\%$ pour moins de 200mm et $\pm 3\%$ pour plus de 200mm/ Alle Abmessungen in mm, Toleranz $\pm 5\%$ für unter 200mm, und $\pm 3\%$ für über 200mm | Все размеры указаны в мм, погрешность $\pm 5\%$ ниже 200 мм и $\pm 3\%$ выше 200 мм

Models | Modelli | Modèles | Modelle | Модели



76 CM
WAWB00001
WAPD00001



65 CM
WAWB00002
WAPD00001



70 CM
WAWC00002
WAWT00001

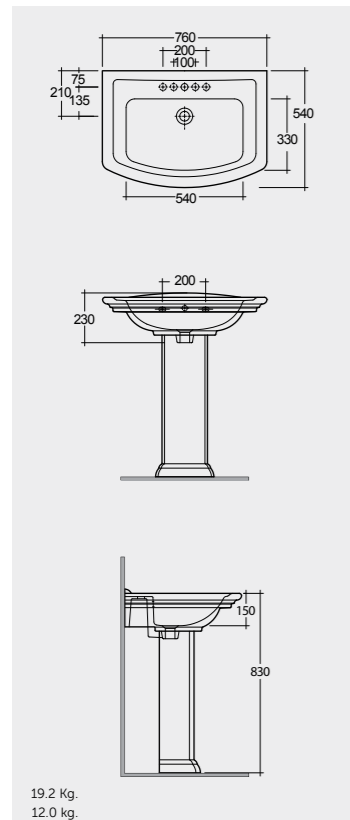
Back Open



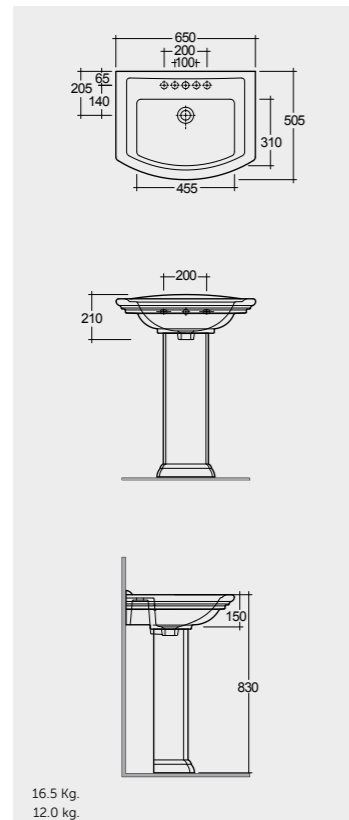
70 CM
WAWC00003
WAWT00001

Back Open

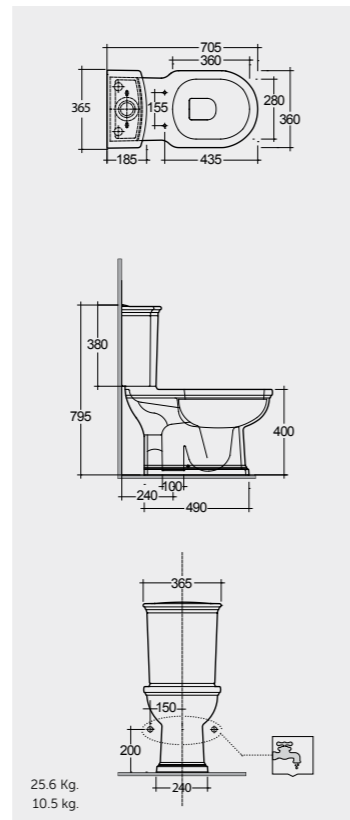
Measurements | Misure | Dimensions | Abmessungen | Размеры



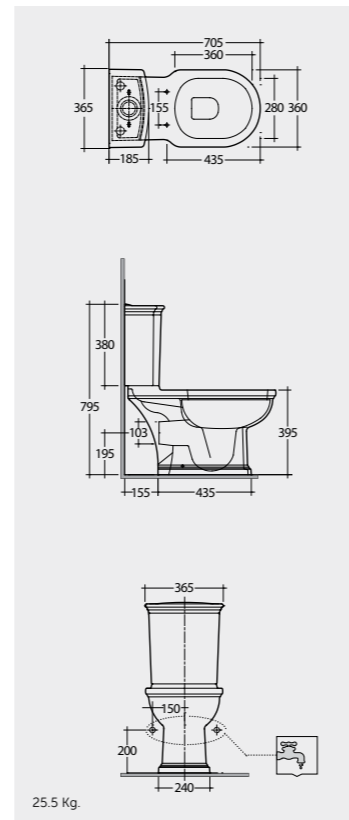
19.2 Kg.
12.0 kg.



16.5 Kg.
12.0 kg.



25.6 Kg.
10.5 kg.



25.5 Kg.

Lacquered Polyester RAK-Washington
WTSC3901503
Polyester RAK-Washington
WASC00001

Lacquered Polyester RAK-Washington
WTSC3901503
Polyester RAK-Washington
WASC00001

Note | Nota | Remarque | Hinweis | Примечание

All dimensions in mm tolerance $\pm 5\%$ for below 200mm and $\pm 3\%$ for above 200mm | Tutte le dimensioni hanno una tolleranza di $\pm 5\%$ mm al di sotto dei 200mm e di $\pm 3\%$ mm al di sopra dei 200mm | Toutes les dimensions en mm tolérance $\pm 5\%$ pour moins de 200mm et $\pm 3\%$ pour plus de 200mm/ Alle Abmessungen in mm, Toleranz $\pm 5\%$ für unter 200mm, und $\pm 3\%$ für über 200mm | Все размеры указаны в мм, погрешность $\pm 5\%$ ниже 200 мм и $\pm 3\%$ выше 200 мм

Models | Modelli | Modèles | Modelle | Модели



70 CM
WAWC00002
WT22AWHA

Back Open

With Front Lever



70 CM
WAWC00003
WT22AWHA

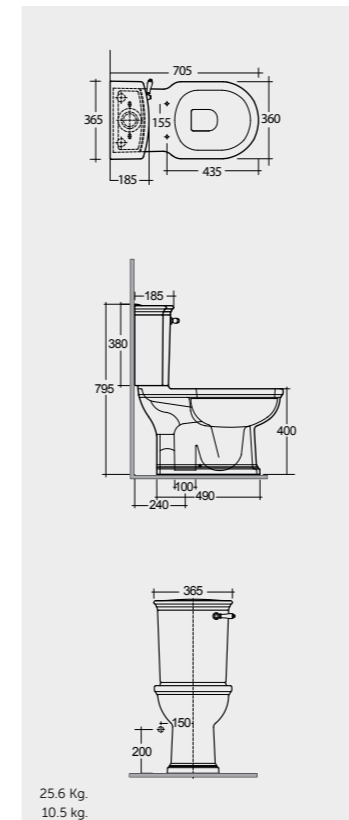
Back Open

With Front Lever



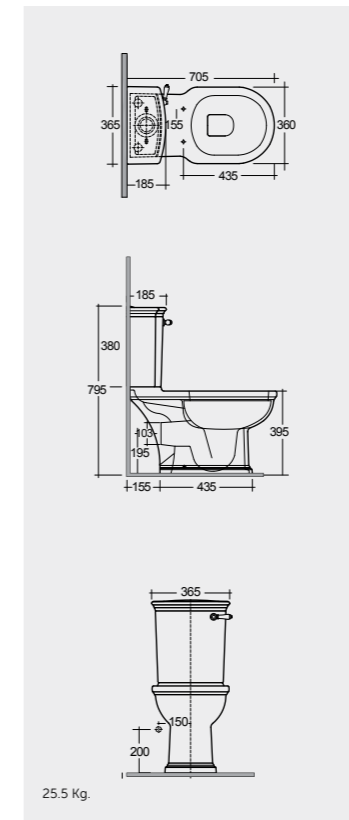
SET WITH MIXER (SHATAFF)
BRASS CHROME : SPRDOMX0001

Measurements | Misure | Dimensions | Abmessungen | Размеры



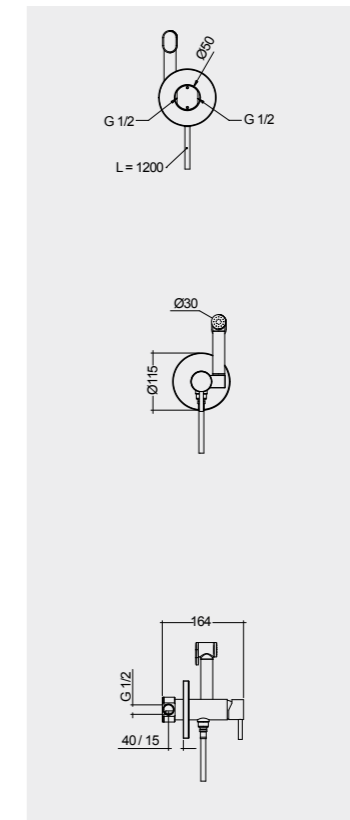
25.6 Kg.
10.5 kg.

Lacquered Polyester RAK-Washington
WTSC3901503
Polyester RAK-Washington
WASC00001

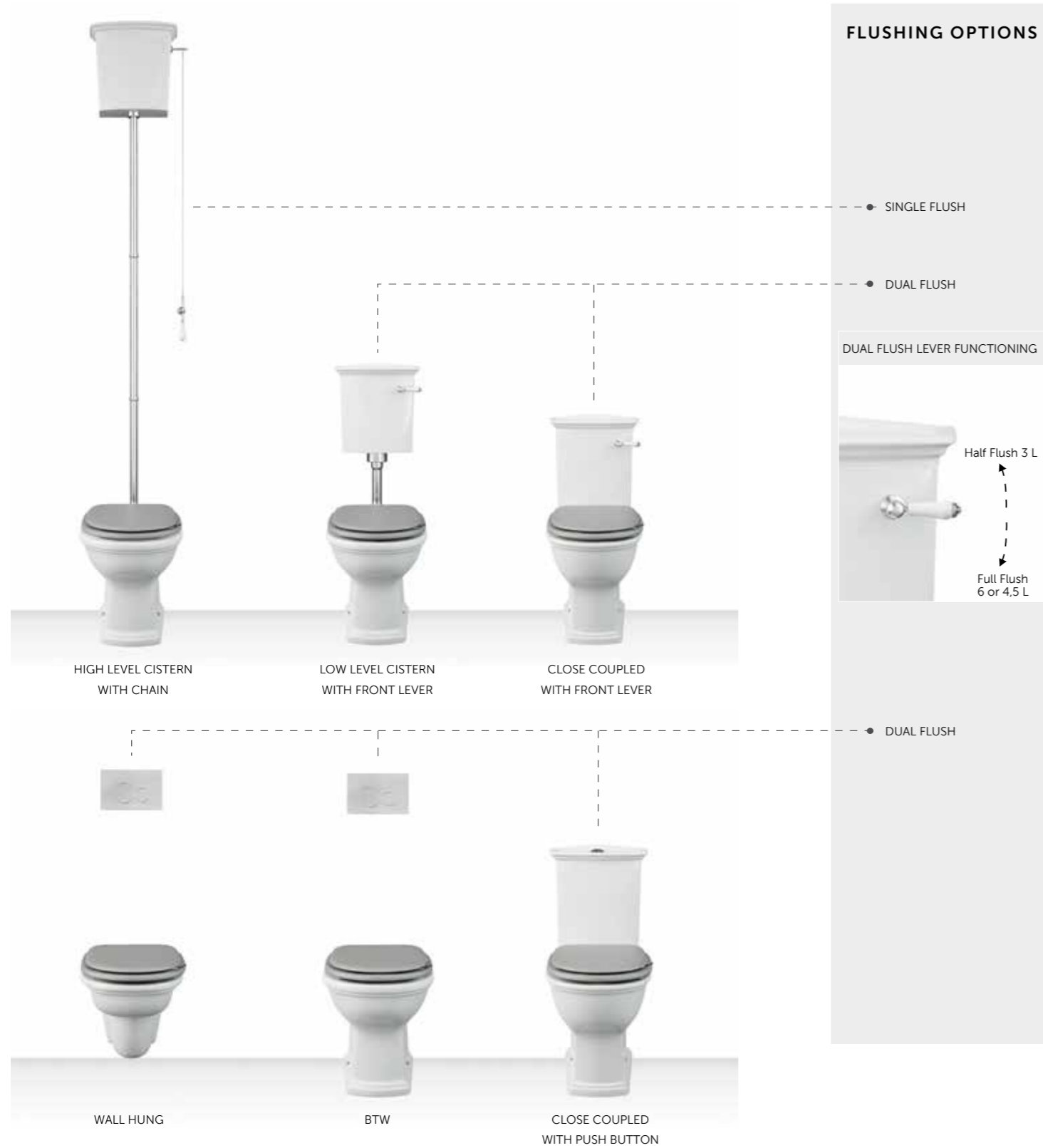


25.5 Kg.

Lacquered Polyester RAK-Washington
WTSC3901503
Polyester RAK-Washington
WASC00001



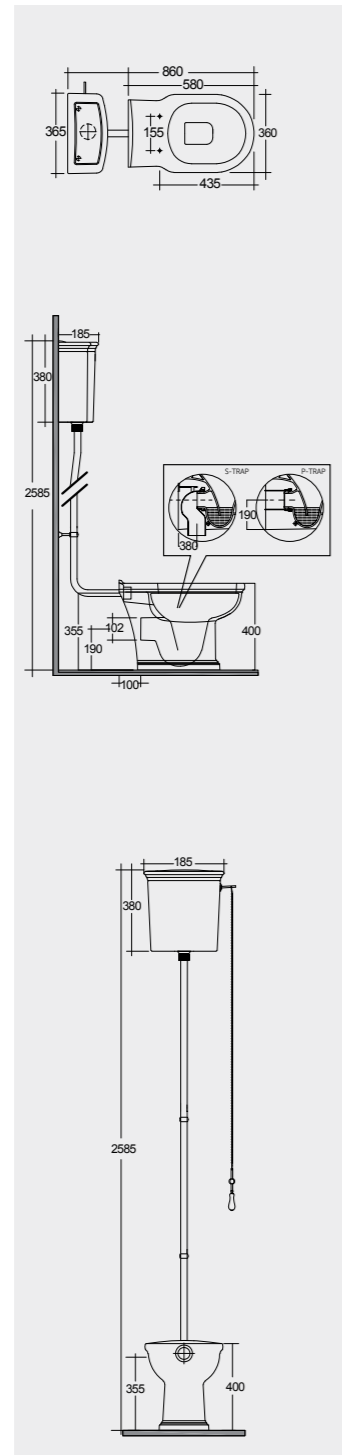
RAK-WASHINGTON



SEAT COVER COLOUR OPTIONS



Models | Modelli | Modèles | Modelle | Модели



58 CM
WAWC00001
CISTERN : WT23AWHA
FITTINGS : FTWTLOCIST

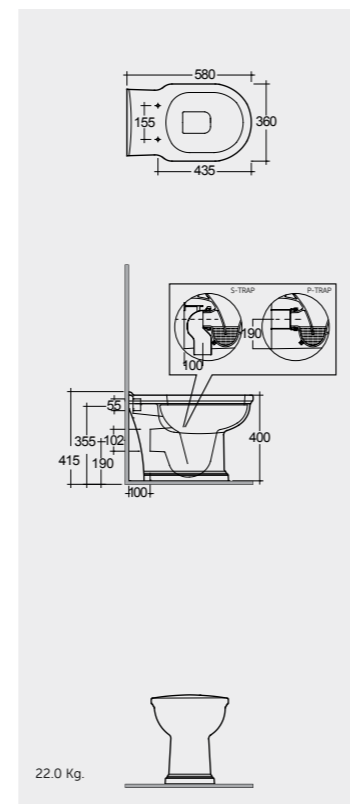
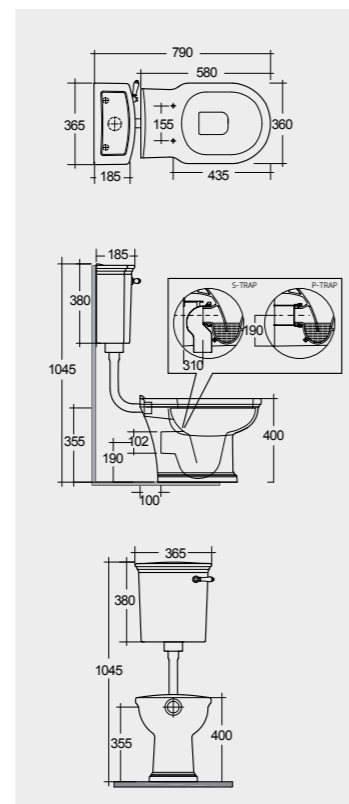
With Front Lever



58 CM
WAWC00001

Back Open

Measurements | Misure | Dimensions | Abmessungen | Размеры



58 CM
WAWC00001
CISTERN : WT24AWHA
FITTINGS : FTWTHICIST

Lacquered Polyester RAK-Washington
WTSC3901503
Polyester RAK-Washington
WASC00001

Lacquered Polyester RAK-Washington
WTSC3901503
Polyester RAK-Washington
WASC00001

Lacquered Polyester RAK-Washington
WTSC3901503
Polyester RAK-Washington
WASC00001

Note | Nota | Remarque | Hinweis | Примечание

All dimensions in mm tolerance $\pm 5\%$ for below 200mm and $\pm 3\%$ for above 200mm | Tutte le dimensioni hanno una tolleranza di $\pm 5\%$ mm al di sotto dei 200mm e di $\pm 3\%$ mm al di sopra dei 200mm | Toutes les dimensions en mm tolérance $\pm 5\%$ pour moins de 200mm et $\pm 3\%$ pour plus de 200mm/ Alle Abmessungen in mm, Toleranz $\pm 5\%$ für unter 200mm, und $\pm 3\%$ für über 200mm | Все размеры указаны в мм, погрешность $\pm 5\%$ ниже 200 мм и $\pm 3\%$ выше 200 мм

Models | Modelli | Modèles | Modelle | Модели



56 CM
WT20AWHA



56 CM
WAWC00004

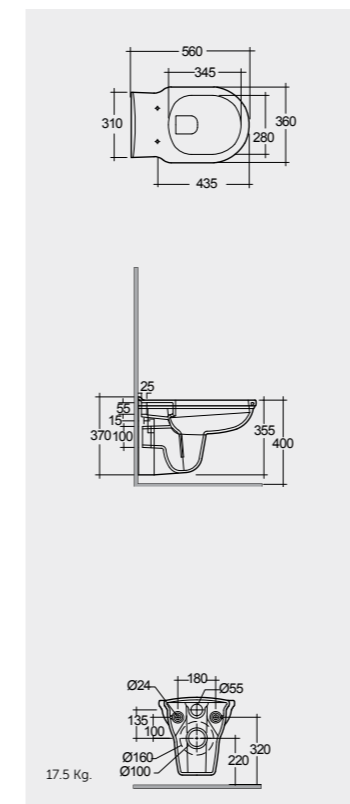


CERAMIC TRAP
WTCERS201AWHA

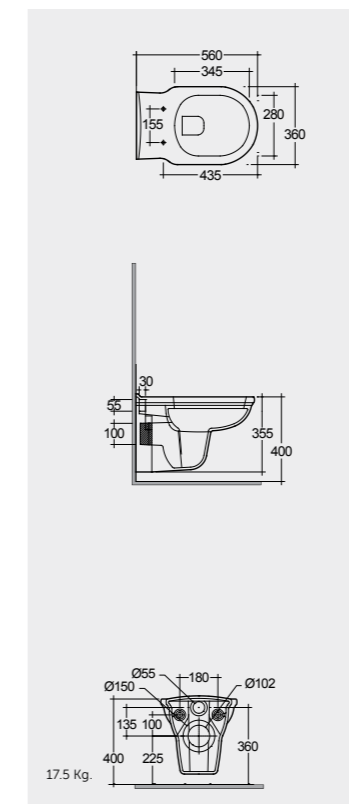


CERAMIC TRAP
WTCERP202AWHA

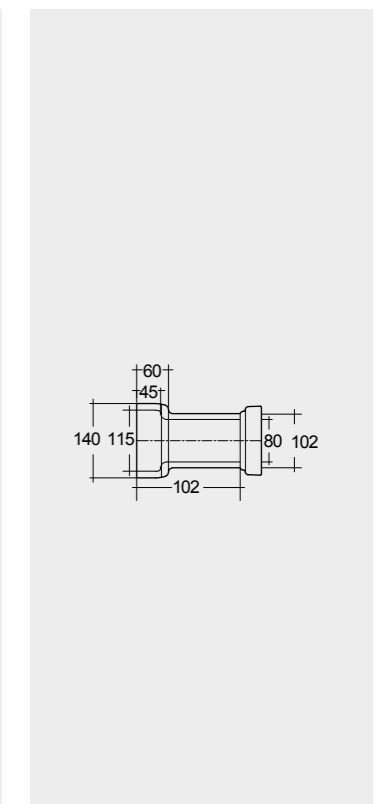
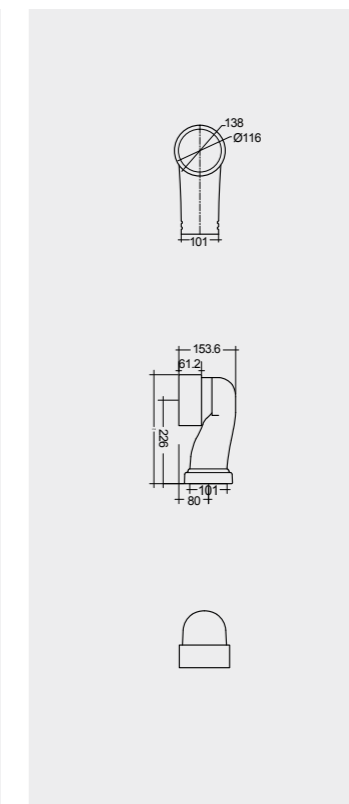
Measurements | Misure | Dimensions | Abmessungen | Размеры



Lacquered Polyester RAK-Washington
WTSC3901503
Polyester RAK-Washington
WASC00001



Lacquered Polyester RAK-Washington
WTSC3901503
Polyester RAK-Washington
WASC00001



Models | Modelli | Modèles | Modelle | Модели



58 CM
WABI00001

Back Open



56 CM
WABI00002



FOR BIDET
ABS CHROME : BTRBDABS010

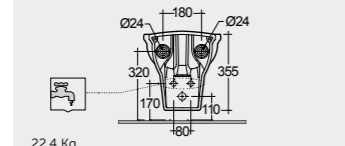
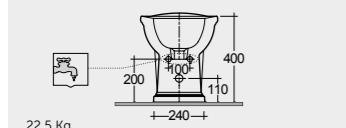
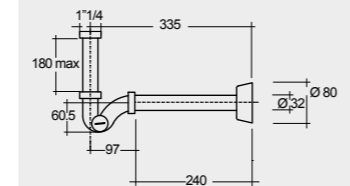
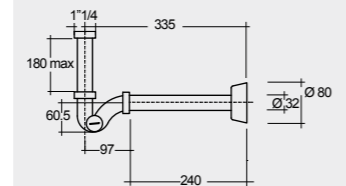
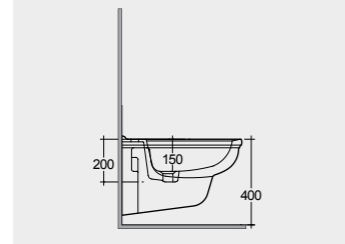
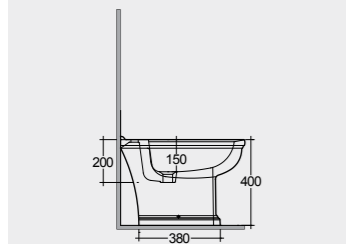
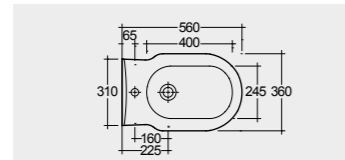
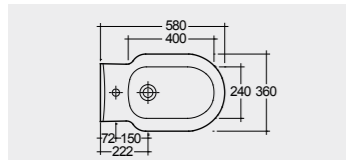
Inspectionable



FOR BIDET
PP WHITE : BTRBDPPR011

Inspectionable

Measurements | Misure | Dimensions | Abmessungen | Размеры



Note | Nota | Remarque | Hinweis | Примечание

All dimensions in mm tolerance $\pm 5\%$ for below 200mm and $\pm 3\%$ for above 200mm | Tutte le dimensioni hanno una tolleranza di $\pm 5\%$ mm al di sotto dei 200mm e di $\pm 3\%$ mm al di sopra dei 200mm | Toutes les dimensions en mm tolérance $\pm 5\%$ pour moins de 200mm et $\pm 3\%$ pour plus de 200mm/ Alle Abmessungen in mm, Toleranz $\pm 5\%$ für unter 200mm, und $\pm 3\%$ für über 200mm | Все размеры указаны в мм, погрешность $\pm 5\%$ ниже 200 мм и $\pm 3\%$ выше 200 мм



58 CM WT21AWHA 514 58 CM WT07AWHA



65 CM
WT0101AWHA
WT0102AWHA



56 CM
WT20AWHA 503
56 CM
WT08AWHA

RAK-CAROLINE

RAK-Caroline bathroom suite is classy and enticing adding a touch of serenity to the bathroom. This spacious bathroom suite is a European design and its broad wash basin offers ample space for toiletries. The water closet cistern is pre-fitted with a flush mechanism.

Il completo bagno **RAK-Caroline** è di classe ed invitante, e aggiunge un tocco di serenità al bagno. Questo spazioso completo bagno ha un design europeo e il suo abbondante lavabo offre ampio spazio agli accessori da toilette. La cassetta del water ha la predisposizione per il sistema di scarico.

Les salles de bains **RAK-caroline** sont élégantes et attrayantes, à quoi s'ajoute son côté serein. Cette salle de bains spacieuse est un style européen et son grand lavabo offre assez d'espace pour les produits de toilette.

Die **RAK-Caroline** Badezimmerausstattung ist elegant und verlockend, und fügt dem Bad einen Hauch von Heiterkeit hinzu. Diese geräumige Badezimmerausstattung hat ein europäisches Design und der breite Waschtisch bietet ausreichend Platz für Toilettenartikel.

Элегантный стиль комплекта для ванной комнаты **RAK-Caroline** придаст вашей ванной комнате ощущение естественной гармонии. Просторная ванная европейского дизайна с широкой раковиной, где достаточно места для туалетных принадлежностей. В смывной бачок заранее установлен механизм смыва.



55 CM
CY0801AWHA
CY0103AWHA

55 CM
CY18AWHA

55 CM
CY14AWHA

RAK-CAROLINE

Models | Modelli | Modèles | Modelle | Модели



55 CM
CY0801AWHA
CY0102AWHA



55 CM
CY0801AWHA
CY0103AWHA



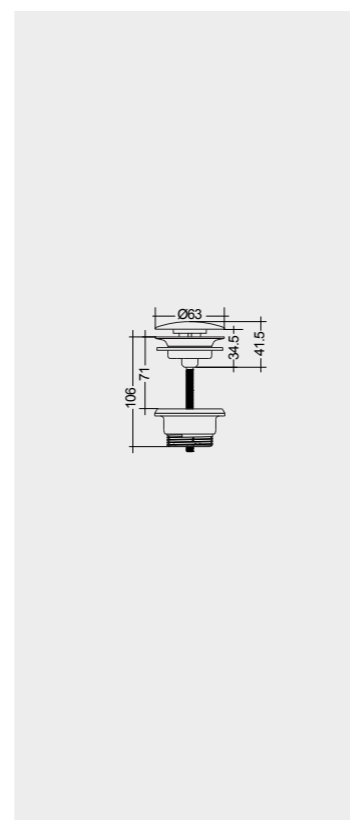
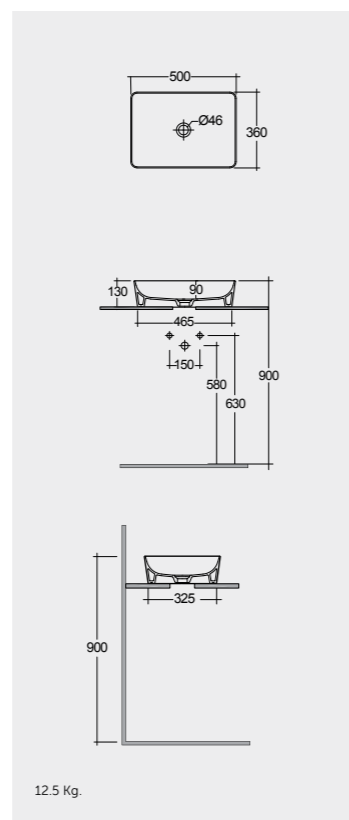
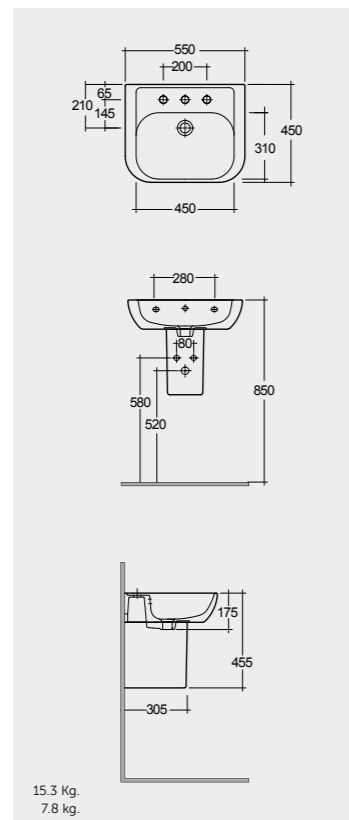
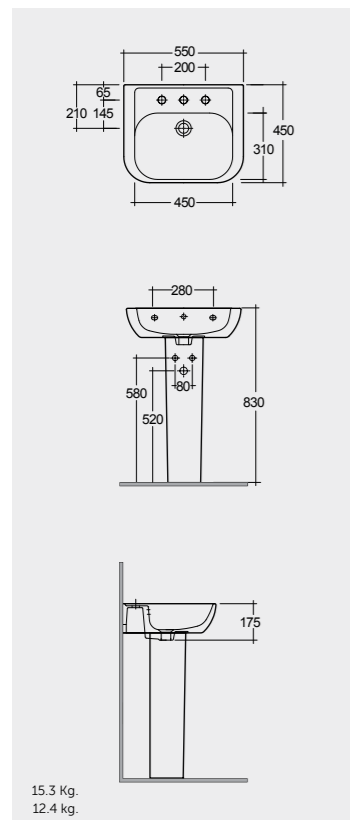
50 CM
FEECT5000AWHA

Rectangular



FREE-FLOW WASTE
DUO002444

Measurements | Misure | Dimensions | Abmessungen | Размеры



Note | Nota | Remarque | Hinweis | Примечание

All dimensions in mm tolerance $\pm 5\%$ for below 200mm and $\pm 3\%$ for above 200mm | Tutte le dimensioni hanno una tolleranza di $\pm 5\%$ mm al di sotto dei 200mm e di $\pm 3\%$ mm al di sopra dei 200mm | Toutes les dimensions en mm tolérance $\pm 5\%$ pour moins de 200mm et $\pm 3\%$ pour plus de 200mm/ Alle Abmessungen in mm, Toleranz $\pm 5\%$ für unter 200mm, und $\pm 3\%$ für über 200mm | Все размеры указаны в мм, погрешность $\pm 5\%$ ниже 200 мм и $\pm 3\%$ выше 200 мм

Models | Modelli | Modèles | Modelle | Модели



65 CM
CY11AWHA
CY10AWHA



55 CM
CY18AWHA



55 CM
CY14AWHA

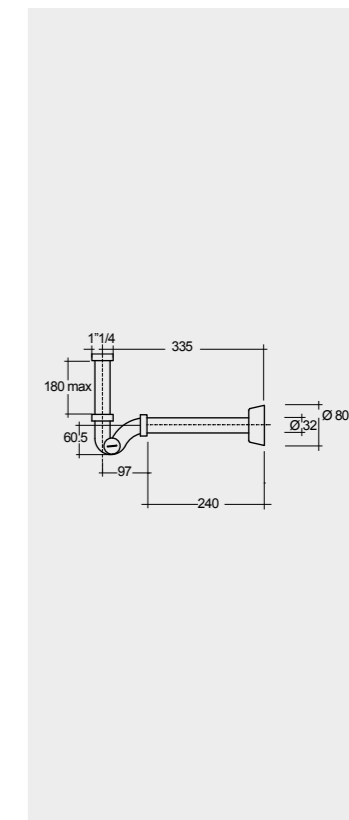
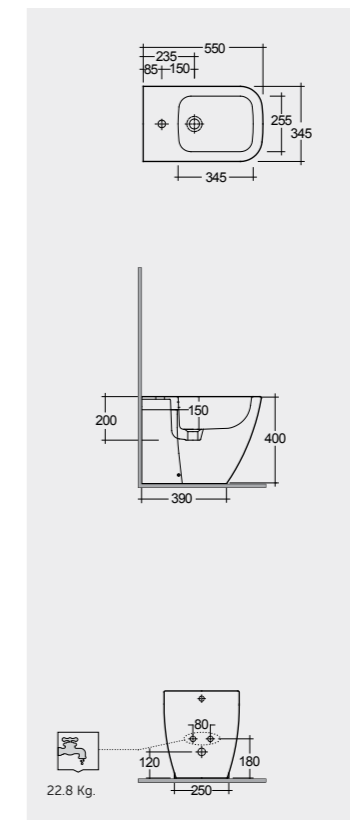
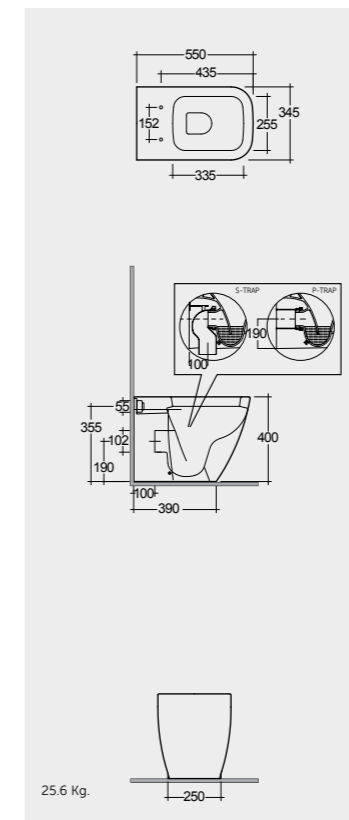
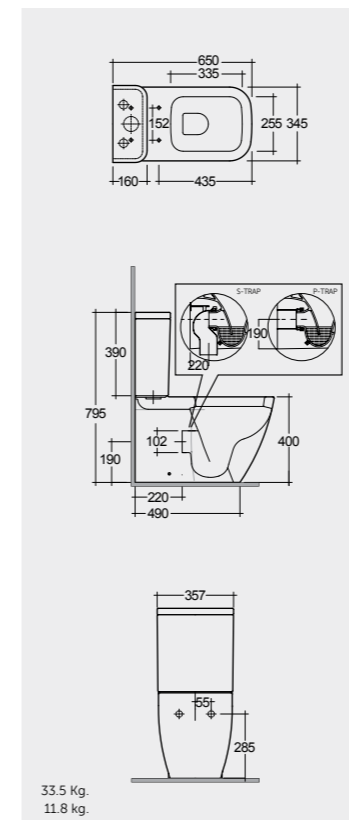


FOR BIDET
ABS CHROME : BTRBDABS010

FOR BIDET
PP WHITE : BTRBDPPR011

Inspectionable

Measurements | Misure | Dimensions | Abmessungen | Размеры



Urea RAK-Metropolitan
MESCO0002

Urea RAK-Metropolitan (Flat)
MESCO0008

Urea RAK-Metropolitan
MESCO0002

Urea RAK-Metropolitan (Flat)
MESCO0008



55 CM
CY0801AWHA
CY0102AWHA



65 CM
CY11AWHA
CY10AWHA

55 CM
CY14AWHA

RAK-ONE

RAK-One is exclusively designed to save space without compromising on the overall appearance. This contemporary bathroom suite is a perfect combination of fashion and functionality.

RAK-One is available in close coupled, back to wall or wall hung formats.

RAK-One è stata concepita espressamente per risparmiare spazio senza compromettere l'insieme estetico. Questo completo bagno contemporaneo è una combinazione perfetta tra moda e funzionalità.

RAK-One è disponibile nei formati monoblocco, a muro e sospeso.

RAK-One est exclusivement conçue pour gagner en espace sans compromettre l'apparence générale. Cette salle de bains contemporaine est une association parfaite de mode et de fonctionnalité.

RAK-One Ce modèle est disponible en formats monoblocs, dos au mur ou suspendus.

RAK-One ist ausschließlich auf die Einsparung von Platz ausgelegt, ohne dabei das Gesamtbild zu beeinträchtigen. Diese moderne Badezimmerausstattung ist eine perfekte Kombination aus Fashion und Funktionalität.

RAK-one ist in den Formaten geschlossen gekoppelte Rückwandmontage und zum Hängen an der Wand.

Комплект **RAK-One** создан специально для экономии пространства без ущерба внешнему виду. Эта современная коллекция керамической сантехники — идеальное сочетание формы и функциональности.

Комплект RAK-One доступен с пристенным и подвесным унитазами, а также с унитазом-компакт в цвете альпийский белый.



60 CM
ONWB00002
ONPD00002

52 CM
EL13AWHA

52 CM
EL08AWHA

Models | Modelli | Modèles | Modelle | Модели

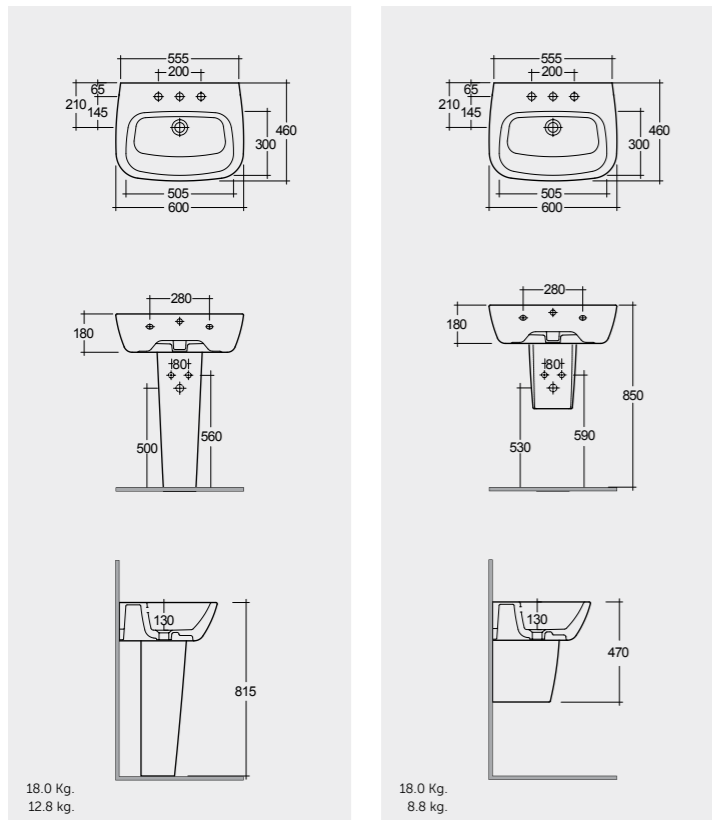


60 CM
ONWB00002
ONPD00001



60 CM
ONWB00002
ONPD00002

Measurements | Misure | Dimensions | Abmessungen | Размеры



Note | Nota | Remarque | Hinweis | Примечание

All dimensions in mm tolerance $\pm 5\%$ for below 200mm and $\pm 3\%$ for above 200mm | Tutte le dimensioni hanno una tolleranza di $\pm 5\%$ mm al di sotto dei 200mm e di $\pm 3\%$ mm al di sopra dei 200mm | Toutes les dimensions en mm tolérance $\pm 5\%$ pour moins de 200mm et $\pm 3\%$ pour plus de 200mm/ Alle Abmessungen in mm, Toleranz $\pm 5\%$ für unter 200mm, und $\pm 3\%$ für über 200mm | Все размеры указаны в мм, погрешность $\pm 5\%$ ниже 200 мм и $\pm 3\%$ выше 200 мм



60 CM
ONWB00002
ONPD00002

RAK-ONE

Models | Modelli | Modèles | Modelle | Модели



62 CM
ONWC00002
ONWT00001

52 CM
ONWC00001

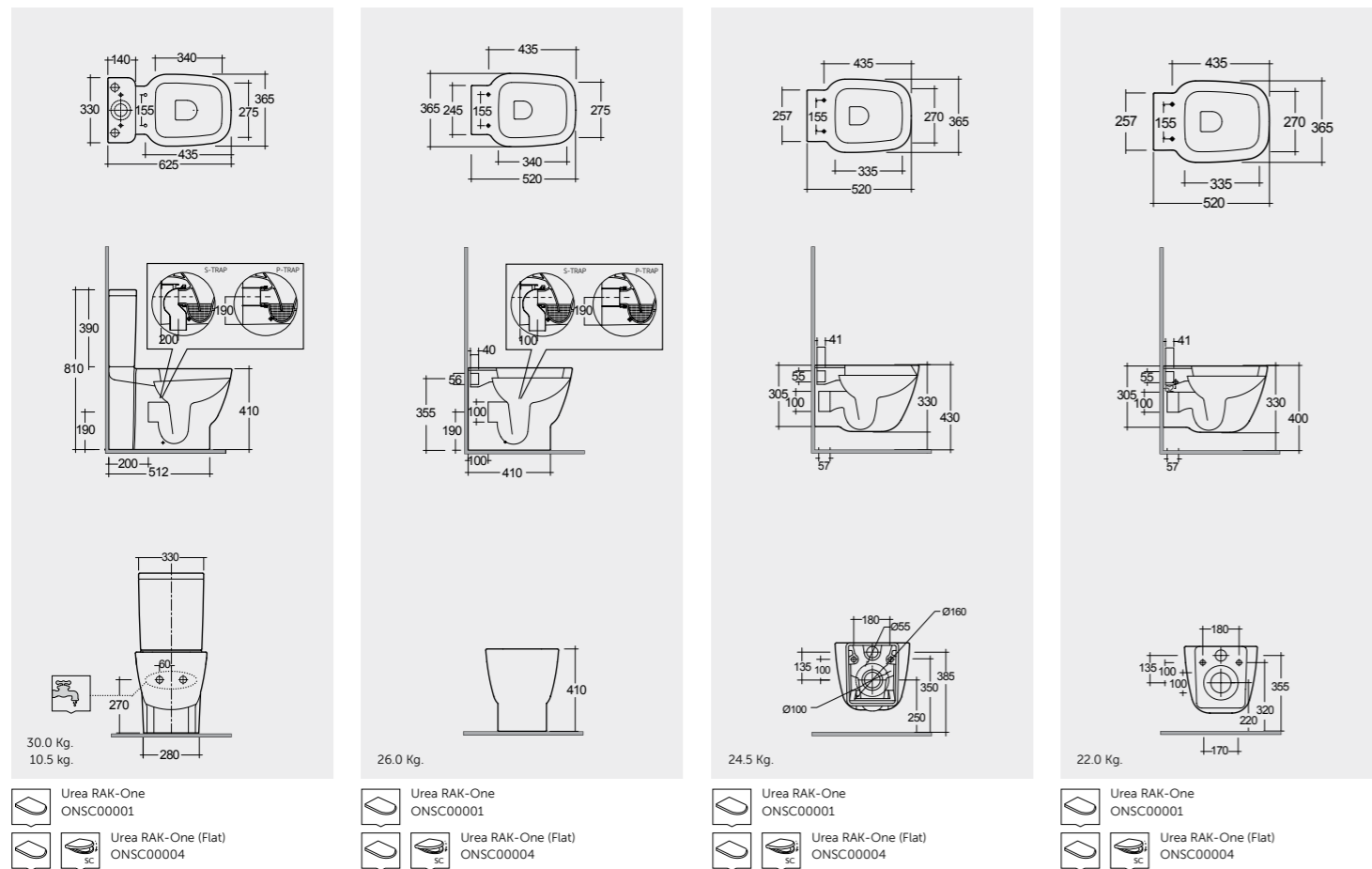
52 CM
EL13AWHA

52 CM
ONWC00003

Hidden Fixations

Rimless

Measurements | Misure | Dimensions | Abmessungen | Размеры



Note | Nota | Remarque | Hinweis | Примечание

All dimensions in mm tolerance $\pm 5\%$ for below 200mm and $\pm 3\%$ for above 200mm | Tutte le dimensioni hanno una tolleranza di $\pm 5\%$ mm al di sotto dei 200mm e di $\pm 3\%$ mm al di sopra dei 200mm | Toutes les dimensions en mm tolérance $\pm 5\%$ pour moins de 200mm et $\pm 3\%$ pour plus de 200mm/ Alle Abmessungen in mm, Toleranz $\pm 5\%$ für unter 200mm, und $\pm 3\%$ für über 200mm | Все размеры указаны в мм, погрешность $\pm 5\%$ ниже 200 мм и $\pm 3\%$ выше 200 мм

Models | Modelli | Modèles | Modelle | Модели



52 CM
ONBI00001

52 CM
EL08AWHA

52 CM
ONBI00002

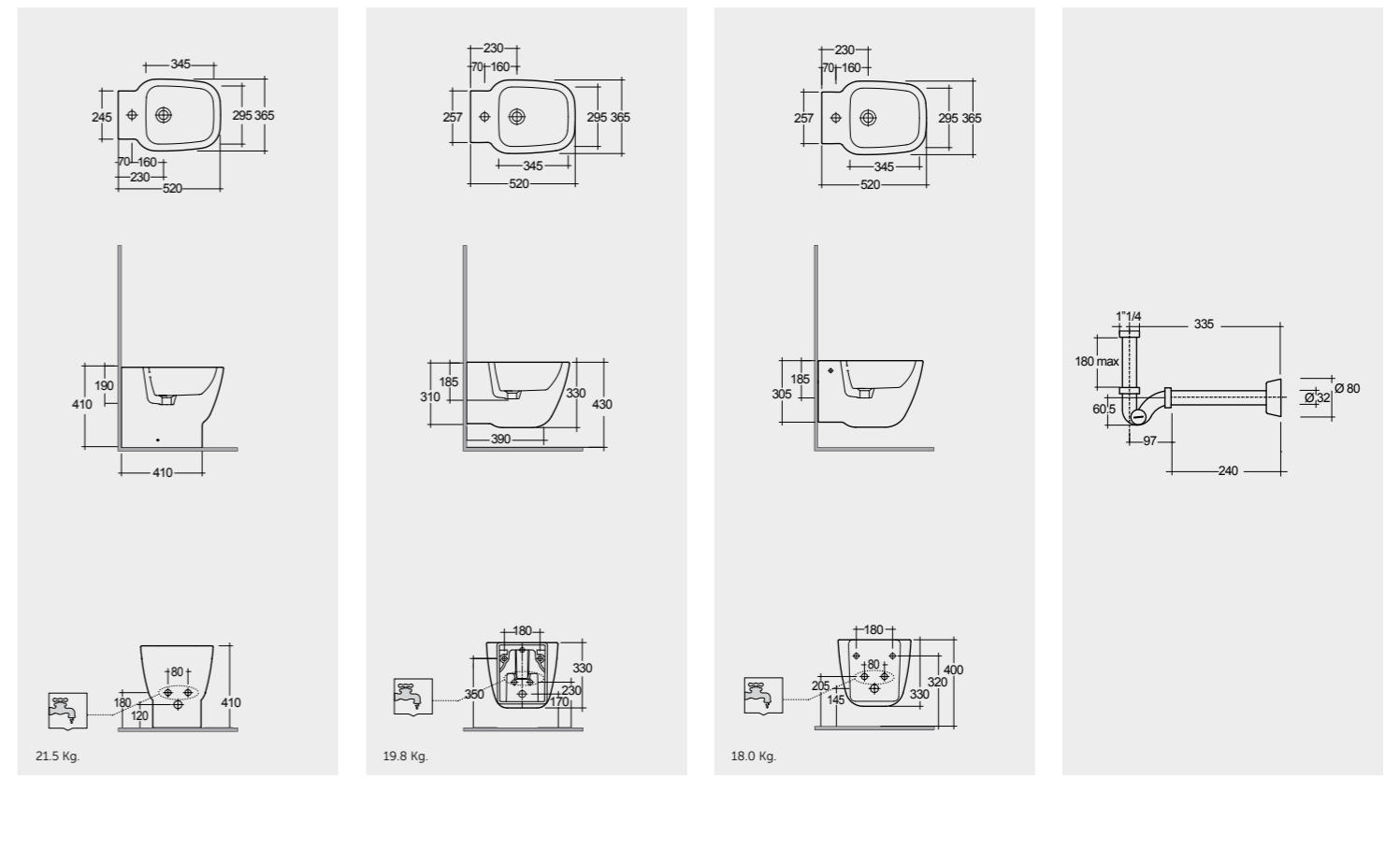
Hidden Fixations

FOR BIDET
ABS CHROME : BTRBDABS010

FOR BIDET
PP WHITE : BTRBDPPR011

Inspectionable

Measurements | Misure | Dimensions | Abmessungen | Размеры





 52 CM ONWC00001  52 CM ONBI00001



 64 CM ONWC00002  ONWT00001

RAK-TONIQUE

RAK-Tonique bathroom suite is strongly influenced by European design. A neat, compact design perfect for smaller spaces.

RAK-Tonique is available in close coupled or back to wall formats.

Il completo bagno **RAK-Tonique** è fortemente influenzato dal design europeo. Un design pulito, compatto, perfetto per gli spazi più piccoli.

RAK-Tonique è disponibile nei formati monoblocco, a muro e sospeso.

Les salles de bains **RAK-Toniques** ont beaucoup reçu l'influence du style européen. Un style compact, soigné pour les petits espaces.

Ce modèle est disponible en formats monoblocs, dos au mur ou suspendus.

Die **RAK-Tonique** Badezimmersaustattung ist stark von europäischem Design beeinflusst. Das elegante und kompakte Design macht sie perfekt für kleine Räume.

RAK-Tonique ist in den Formaten geschlossen gekoppelt oder Rückwandmontage und zum Hängen an der Wand.

Воплощением европейского дизайна стал комплект керамической сантехники для ванной **RAK-Tonique**: аккуратный, компактный, идеально подойдёт для ограниченных пространств.

Комплекты RAK-Tonique доступны в цвете альпийский белый с пристенным унитазом или унитазом-компакт.



55 CM
TQ0801AWHA
TQ0102AWHA

55 CM
TQ18AWHA

55 CM
TQ14AWHA

Models | Modelli | Modèles | Modelle | Модели



55 CM
TQ0801AWHA
TQ0102AWHA



45 CM
TQ0701AWHA
TQ0102AWHA



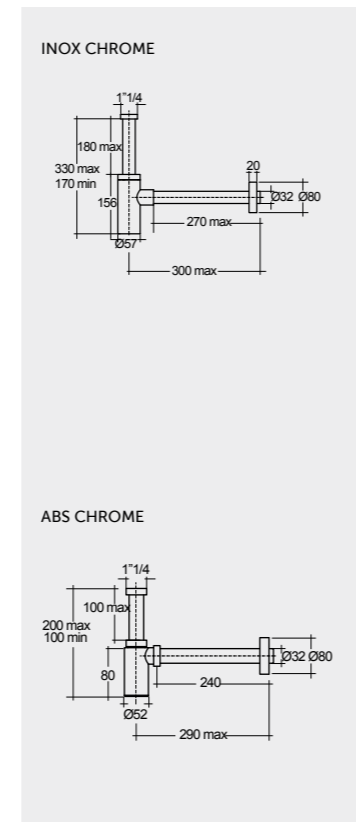
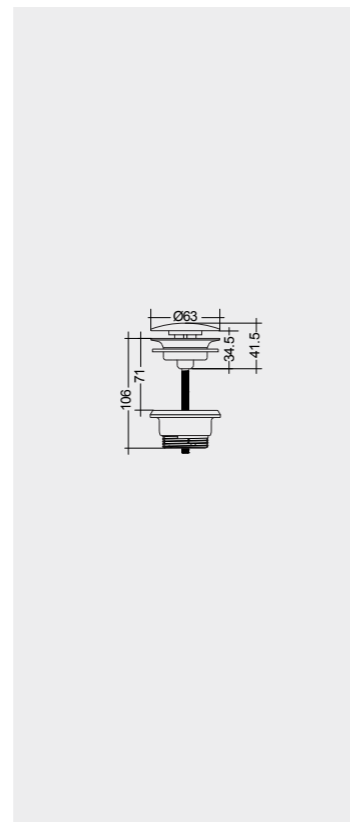
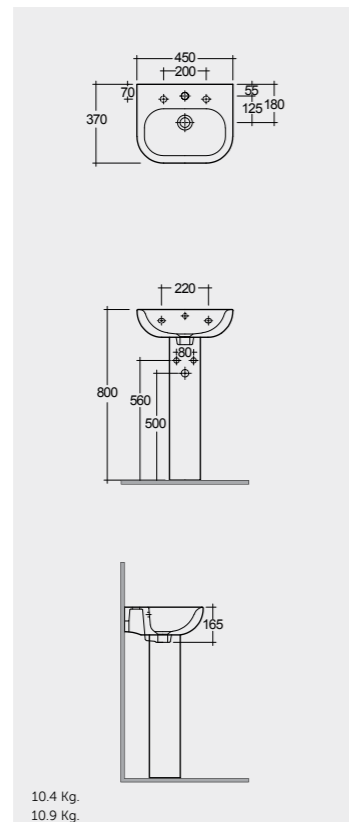
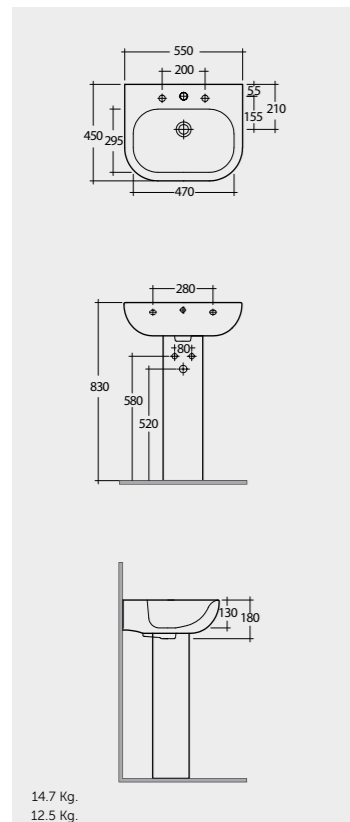
FREE-FLOW WASTE
DUO002444
CLICK-CLACK WASTE
DUO000444



FOR WASH BASIN
INOX CHROME : BTRWBSST001
FOR WASH BASIN
ABS CHROME : BTRWBABS002

Inspectionable

Measurements | Misure | Dimensions | Abmessungen | Размеры



Note | Nota | Remarque | Hinweis | Примечание

All dimensions in mm tolerance $\pm 5\%$ for below 200mm and $\pm 3\%$ for above 200mm | Tutte le dimensioni hanno una tolleranza di $\pm 5\%$ mm al di sotto dei 200mm e di $\pm 3\%$ mm al disopra dei 200mm | Toutes les dimensions en mm tolérance $\pm 5\%$ pour moins de 200mm et $\pm 3\%$ pour plus de 200mm/ Alle Abmessungen in mm, Toleranz $\pm 5\%$ für unter 200mm, und $\pm 3\%$ für über 200mm | Все размеры указаны в мм, погрешность $\pm 5\%$ ниже 200 мм и $\pm 3\%$ выше 200 мм



55 CM
TQ0801AWHA
TQ0102AWHA

Models | Modelli | Modèles | Modelle | Модели



62 CM
TQ16AWHA
TQ10AWHA

62 CM
TQ11AWHA
TQ10AWHA

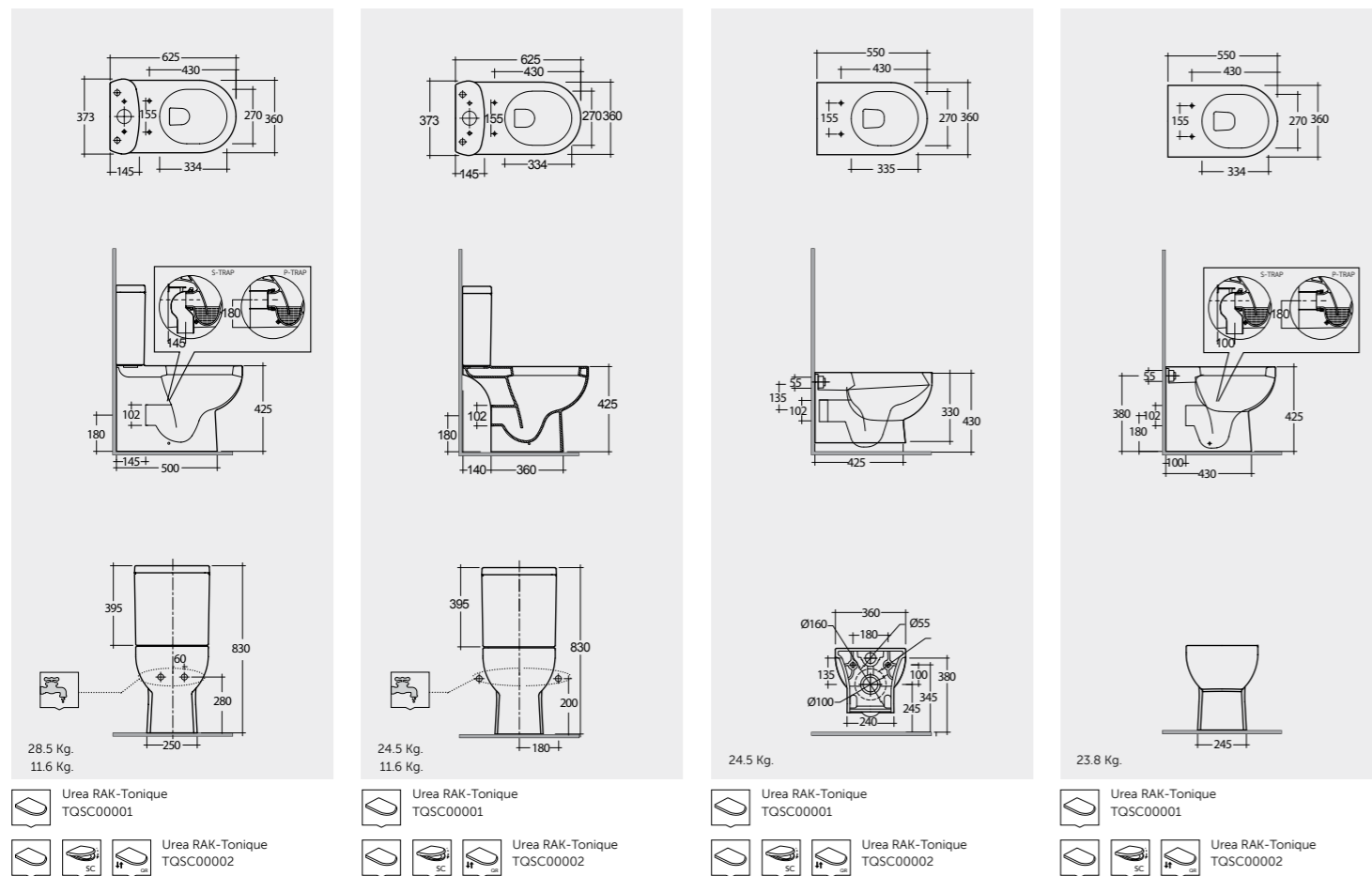
Back Open

55 CM
TQ13AWHA

Hidden Fixations

55 CM
TQ18AWHA

Measurements | Misure | Dimensions | Abmessungen | Размеры



Note | Nota | Remarque | Hinweis | Примечание

All dimensions in mm tolerance $\pm 5\%$ for below 200mm and $\pm 3\%$ for above 200mm | Tutte le dimensioni hanno una tolleranza di $\pm 5\%$ mm al di sotto dei 200mm e di $\pm 3\%$ mm al di sopra dei 200mm | Toutes les dimensions en mm tolérance $\pm 5\%$ pour moins de 200mm et $\pm 3\%$ pour plus de 200mm/ Alle Abmessungen in mm, Toleranz $\pm 5\%$ für unter 200mm, und $\pm 3\%$ für über 200mm | Все размеры указаны в мм, погрешность $\pm 5\%$ ниже 200 мм и $\pm 3\%$ выше 200 мм

Models | Modelli | Modèles | Modelle | Модели



55 CM
TQ14AWHA

56 CM
TQ09AWHA

Hidden Fixations

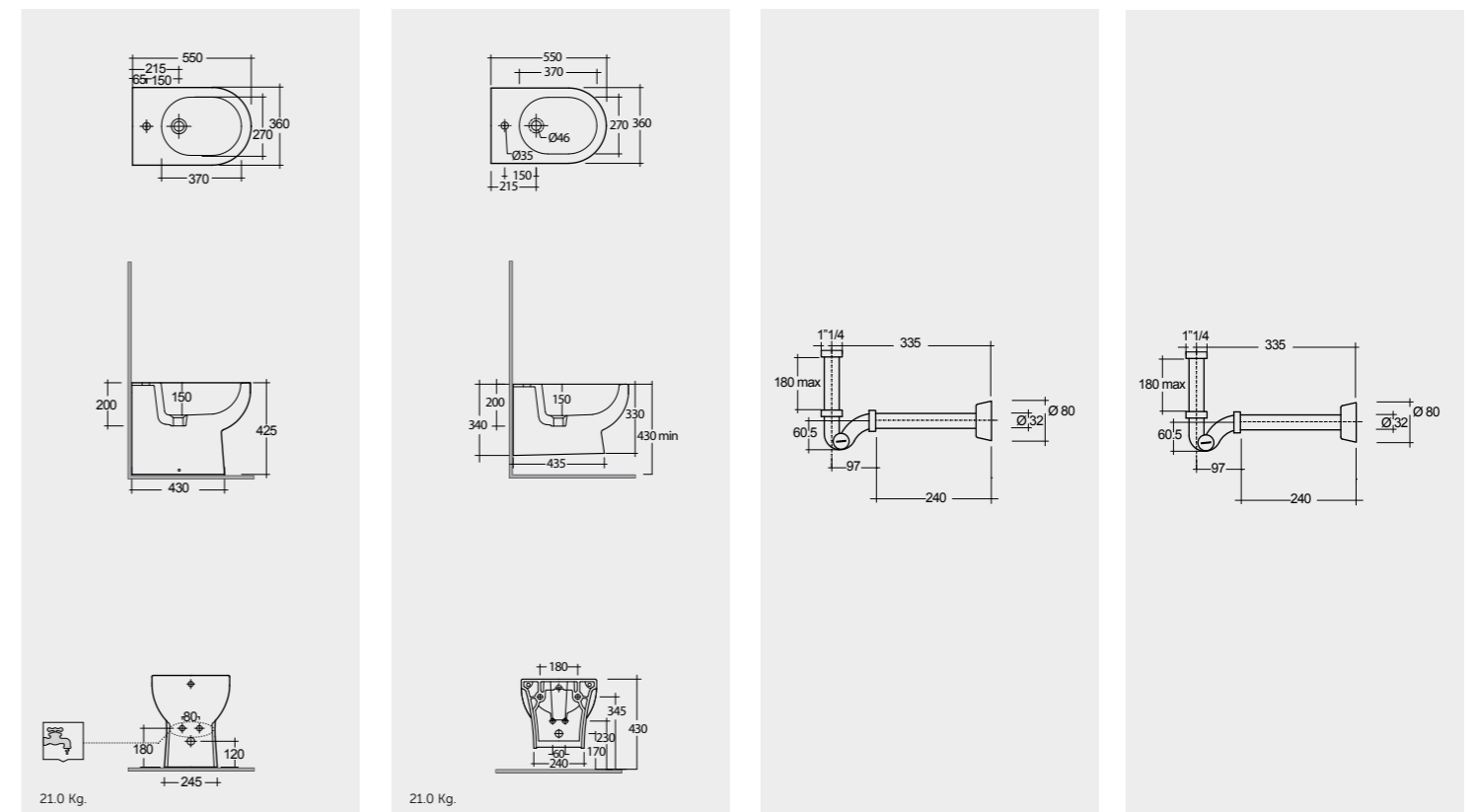
FOR BIDET
ABS CHROME : BTRBDABS010

Inspectionable



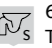
FOR BIDET
PP WHITE : BTRBDPPR011


Inspectionable

Measurements | Misure | Dimensions | Abmessungen | Размеры







   62 CM
TQ16AWHA
TQ10AWHA

 55 CM
TQ14AWHA



  55 CM
TQ0801AWHA
TQ0102AWHA

RAK-COMPACT

As its name suggests, the slender dimensions of Compact bathroom suite are perfectly suited to smaller bathrooms.

RAK-Compact is available in in close coupled, back to wall or wall hung formats.

Come suggerisce il nome, le dimensioni ridotte del completo bagno **RAK-Compact** sono perfettamente ideate per i bagni più piccoli.

Compact è disponibile nei formati monoblocco, a muro e sospeso.

Tel que son nom l'indique, les minces dimensions des salles de bains **RAK-Compact** sont parfaitement convenables pour les petites salles de bains.

Ce modèle est disponible en formats monoblocs, dos au mur ou suspendus.

Wie der Name schon sagt sind die schlanken Abmessungen der **RAK-Compact** Badezimmersausrüstung perfekt für kleine Bäder geeignet.

Compact ist in den Formaten geschlossen gekoppelte Rückwandmontage und zum Hängen an der Wand.

Компактные размеры набора сантехники для ванной Compact делают его идеальным решением для небольших ванных комнат.

RAK-Compact доступен в цвете альпийский белый с пристенным и подвесным унитазами, а также с унитазом-компакт.



52 CM
CO27AWHA

52 CM
CO28AWHA

Models | Modelli | Modèles | Modelle | Модели



55 CM
COWB00004
COPD00001



50 CM
COWB00003
COPD00001

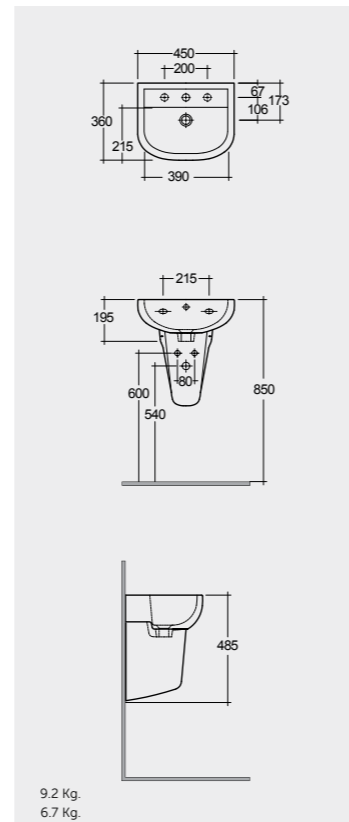
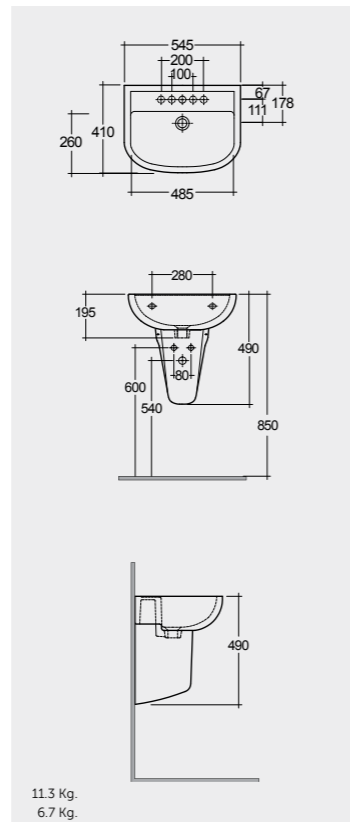
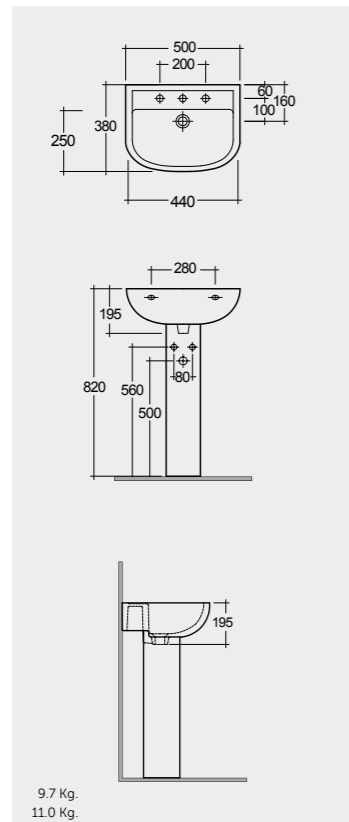
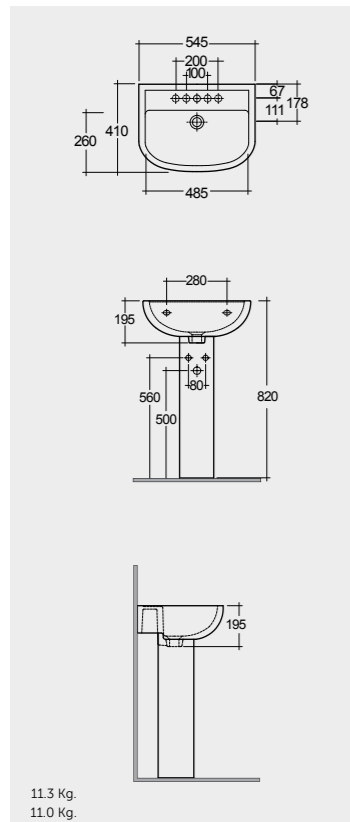


55 CM
COWB00004
COPD00002



45 CM
COWB00002
COPD00002

Measurements | Misure | Dimensions | Abmessungen | Размеры



50 CM
COWB00003
COPD00001

Note | Nota | Remarque | Hinweis | Примечание

All dimensions in mm tolerance $\pm 5\%$ for below 200mm and $\pm 3\%$ for above 200mm | Tutte le dimensioni hanno una tolleranza di $\pm 5\%$ mm al di sotto dei 200mm e di $\pm 3\%$ mm al di sopra dei 200mm | Toutes les dimensions en mm tolérance $\pm 5\%$ pour moins de 200mm et $\pm 3\%$ pour plus de 200mm/ Alle Abmessungen in mm, Toleranz $\pm 5\%$ für unter 200mm, und $\pm 3\%$ für über 200mm | Все размеры указаны в мм, погрешность $\pm 5\%$ ниже 200 мм и $\pm 3\%$ выше 200 мм

RAK-COMPACT

Models | Modelli | Modèles | Modelle | Модели



38 CM
COWB00001



45 CM
LACO00001



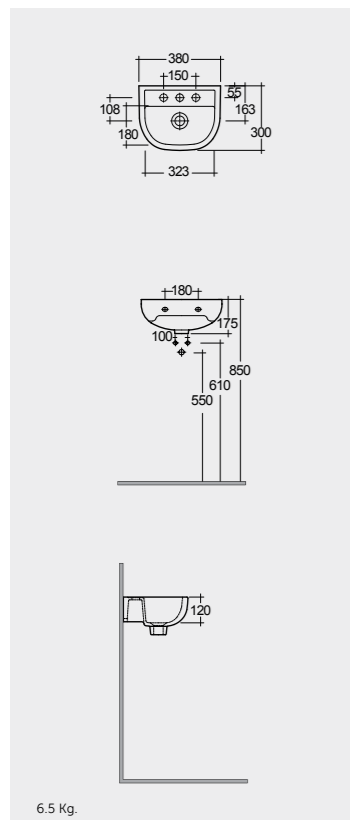
FOR WASH BASIN
INOX CHROME : BTRWBSST001
FOR WASH BASIN
ABS CHROME : BTRWBABS002



64 CM
COWC00002
COWT00001

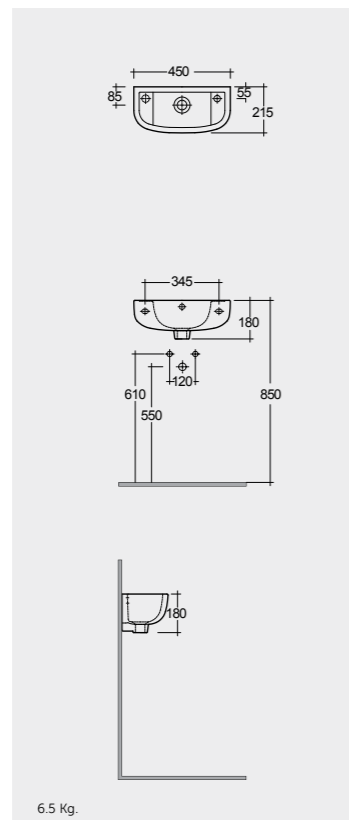
Inspectionable

Measurements | Misure | Dimensions | Abmessungen | Размеры

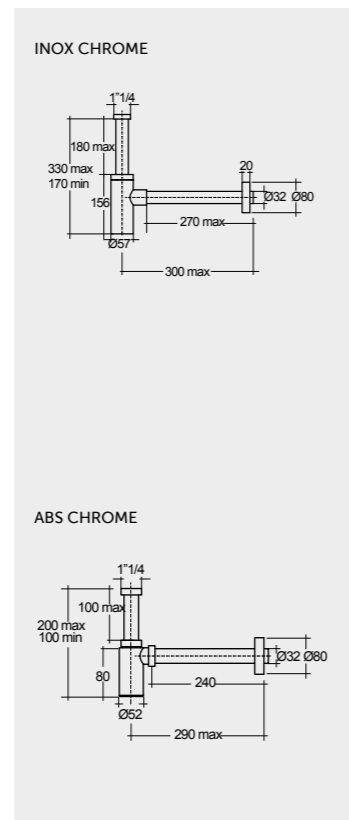


6.5 Kg.

No Overflow

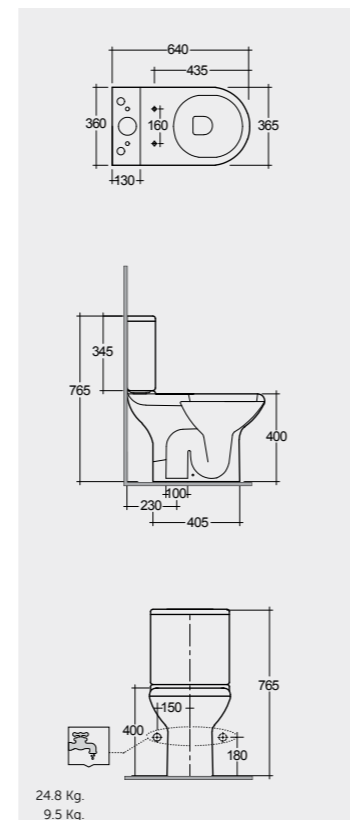


6.5 Kg.



INOX CHROME

ABS CHROME



24.8 Kg.
9.5 Kg.

Urea RAK-Compact
COSC00004

Note | Nota | Remarque | Hinweis | Примечание

All dimensions in mm tolerance $\pm 5\%$ for below 200mm and $\pm 3\%$ for above 200mm | Tutte le dimensioni hanno una tolleranza di $\pm 5\%$ mm al di sotto dei 200mm e di $\pm 3\%$ mm al di sopra dei 200mm | Toutes les dimensions en mm tolérance $\pm 5\%$ pour moins de 200mm et $\pm 3\%$ pour plus de 200mm/ Alle Abmessungen in mm, Toleranz $\pm 5\%$ für unter 200mm, und $\pm 3\%$ für über 200mm | Все размеры указаны в мм, погрешность $\pm 5\%$ ниже 200 мм и $\pm 3\%$ выше 200 мм

Models | Modelli | Modèles | Modelle | Модели



61 CM
COWC00003
COWT00001



62 CM
CO26AWHA
COWT00001

Comfort Height 42 CM



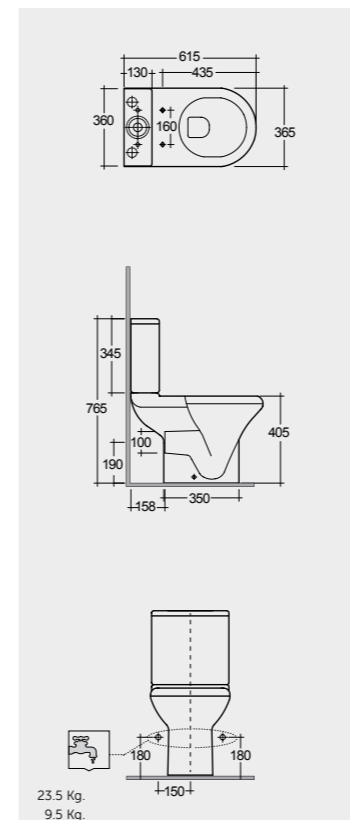
51 CM
COWC00001



52 CM
CO27AWHA

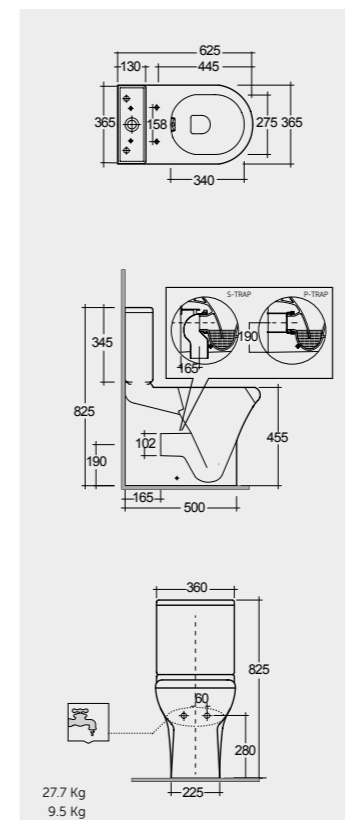
Hidden Fixations

Measurements | Misure | Dimensions | Abmessungen | Размеры



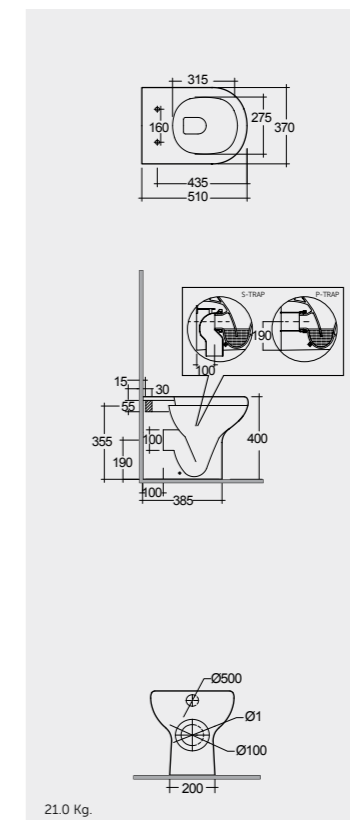
23.5 Kg.
9.5 Kg.

Urea RAK-Compact
COSC00004



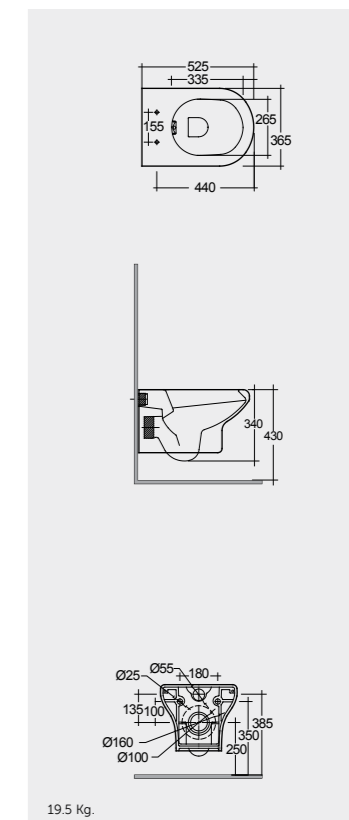
27.7 Kg.
9.5 Kg.

Urea RAK-Compact
COSC00004



21.0 Kg.

Urea RAK-Compact
COSC00004



19.5 Kg.

Urea RAK-Compact
COSC00004

Models | Modelli | Modèles | Modelle | Модели



51 CM
COBI00001



52 CM
CO28AWHA

Hidden Fixations



FOR BIDET
ABS CHROME : BTRBDABS010

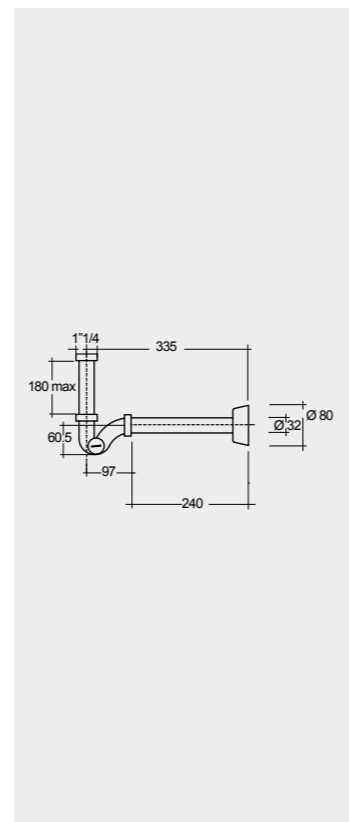
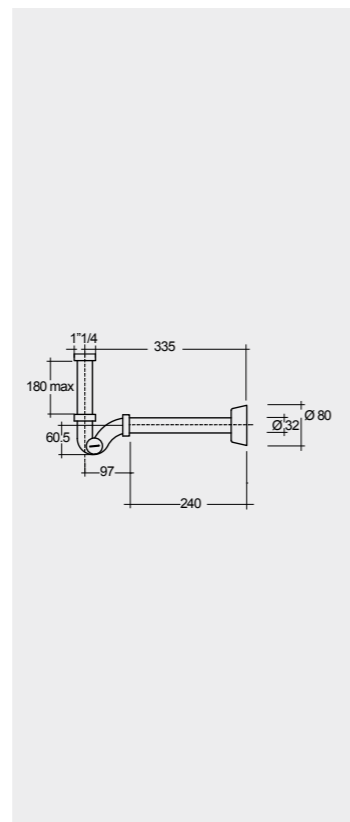
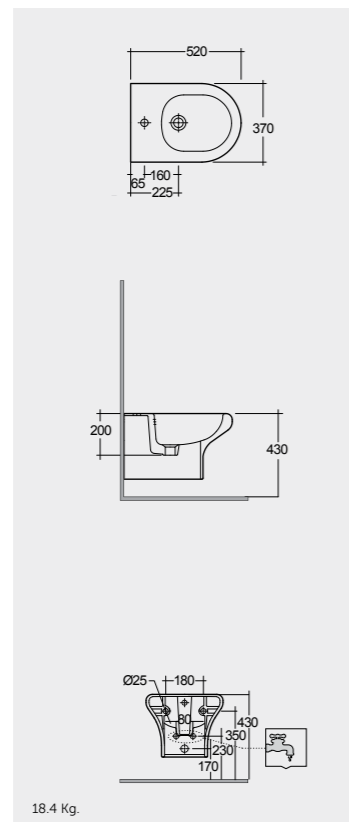
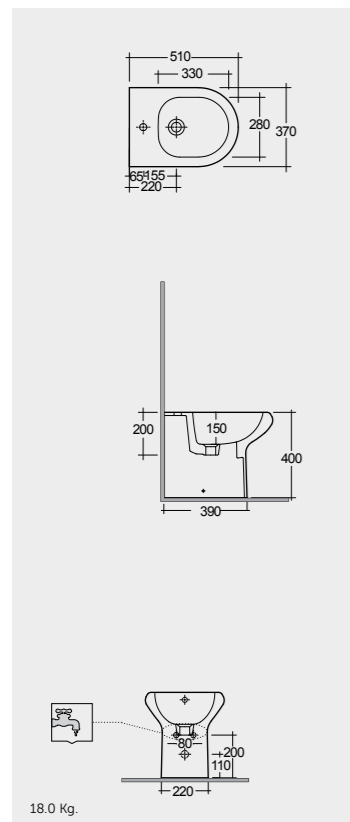
Inspectionable



FOR BIDET
PP WHITE : BTRBDPPR011

Inspectionable

Measurements | Misure | Dimensions | Abmessungen | Размеры



51 CM
COWC00001

51 CM
COBI00001

Note | Nota | Remarque | Hinweis | Примечание

All dimensions in mm tolerance $\pm 5\%$ for below 200mm and $\pm 3\%$ for above 200mm | Tutte le dimensioni hanno una tolleranza di $\pm 5\%$ mm al di sotto dei 200mm e di $\pm 3\%$ mm al di sopra dei 200mm | Toutes les dimensions en mm tolérance $\pm 5\%$ pour moins de 200mm et $\pm 3\%$ pour plus de 200mm/ Alle Abmessungen in mm, Toleranz $\pm 5\%$ für unter 200mm, und $\pm 3\%$ für über 200mm | Все размеры указаны в мм, погрешность $\pm 5\%$ ниже 200 мм и $\pm 3\%$ выше 200 мм

RAK-MORNING

RAK-Morning, a brand-new bathroom collection. An affordable and very wide range, with carefully finished details and quality design to suit international tastes, incorporating the latest rimless technology.

Available in closed coupled, back to wall and wall hung formats with quick release and soft close seat cover for easy cleaning.

RAK-Morning una nuova collezione bagno. Un'ampissima ed accessibile gamma realizzata con dettagli ben risolti ed un design dal gusto internazionale, unito alla più avanzata tecnologia rimless.

Disponibile in monoblocco, filo muro e sospeso con sedile quick release e chiusura rallentata per una pulizia più semplice e agevole.

RAK-Morning une nouvelle collection de salles de bains. Une vaste gamme accessible, aux détails bien recherchés et d'un design qui répond au goût le plus vaste, incluant la dernière technologie rimless.

Disponible en monobloc, contre le mur ou suspendu, avec abattant quick release, à fermeture ralentie, pour un nettoyage plus simple et plus agréable.

RAK-Morning eine neue Bäderkollektion. Eine große und erschwingliche Produktauswahl, mit ausgearbeiteten Details und einem Design, das den größtmöglichen Geschmack trifft, ausgestattet mit der neuesten Technologie Rimless.

Verfügbar als Tiefspül-WC, Rückwandmontage-WC oder Hänge-WC, mit quick release-Sitz mit Absenkautomatik, für eine einfachere und angenehmere Reinigung.

RAK-Morning, новая коллекция для ванных комнат. Доступный и очень широкий ассортимент, с тщательно обработанными деталями и качественным дизайном, отвечающим международным вкусам, с использованием новейших технологий без оправы.

Доступны в закрытых, задних и настенных форматах с быстрым расцеплением и мягким закрывающим чехлом для легкой чистки.



54 CM
MORCT5400AWHA

52 CM
MORWC1346AWHA

52 CM
MORBD2015AWHA

Models | Modelli | Modèles | Modelle | Модели



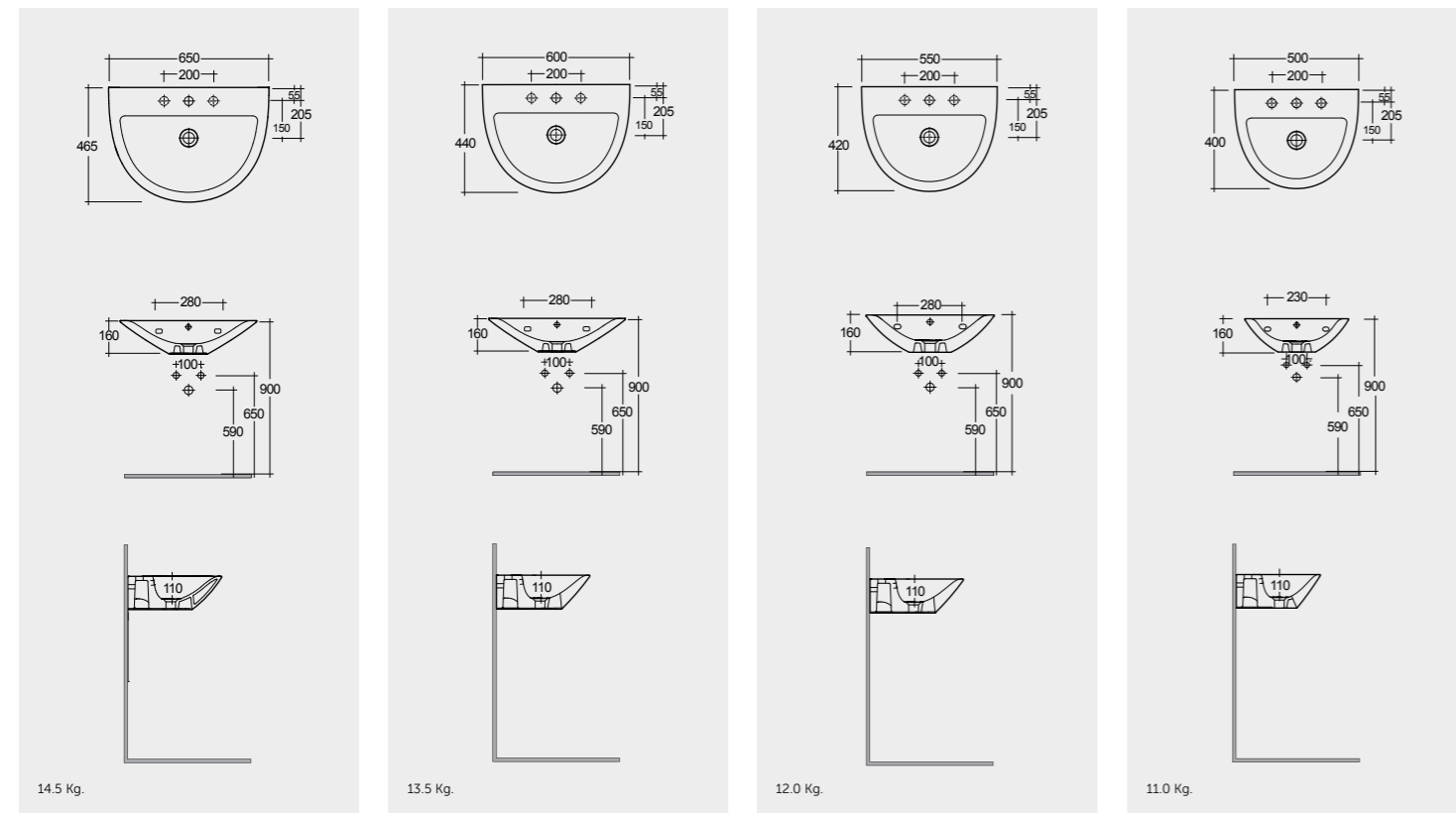
65 CM
MORWB6501AWHA

60 CM
MORWB6001AWHA

55 CM
MORWB5501AWHA

50 CM
MORWB5001AWHA

Measurements | Misure | Dimensions | Abmessungen | Размеры



Note | Nota | Remarque | Hinweis | Примечание

All dimensions in mm tolerance $\pm 5\%$ for below 200mm and $\pm 3\%$ for above 200mm | Tutte le dimensioni hanno una tolleranza di $\pm 5\%$ mm al di sotto dei 200mm e di $\pm 3\%$ mm al di sopra dei 200mm | Toutes les dimensions en mm tolérance $\pm 5\%$ pour moins de 200mm et $\pm 3\%$ pour plus de 200mm/ Alle Abmessungen in mm, Toleranz $\pm 5\%$ für unter 200mm, und $\pm 3\%$ für über 200mm | Все размеры указаны в мм, погрешность $\pm 5\%$ ниже 200 мм и $\pm 3\%$ выше 200 мм

Models | Modelli | Modèles | Modelle | Модели



H 90 CM
MORFP2400AWHA*

MORHP2500AWHA*

54 CM
MORCT5400AWHA

FOR WASH BASIN
INOX CHROME : BTRWBSST001

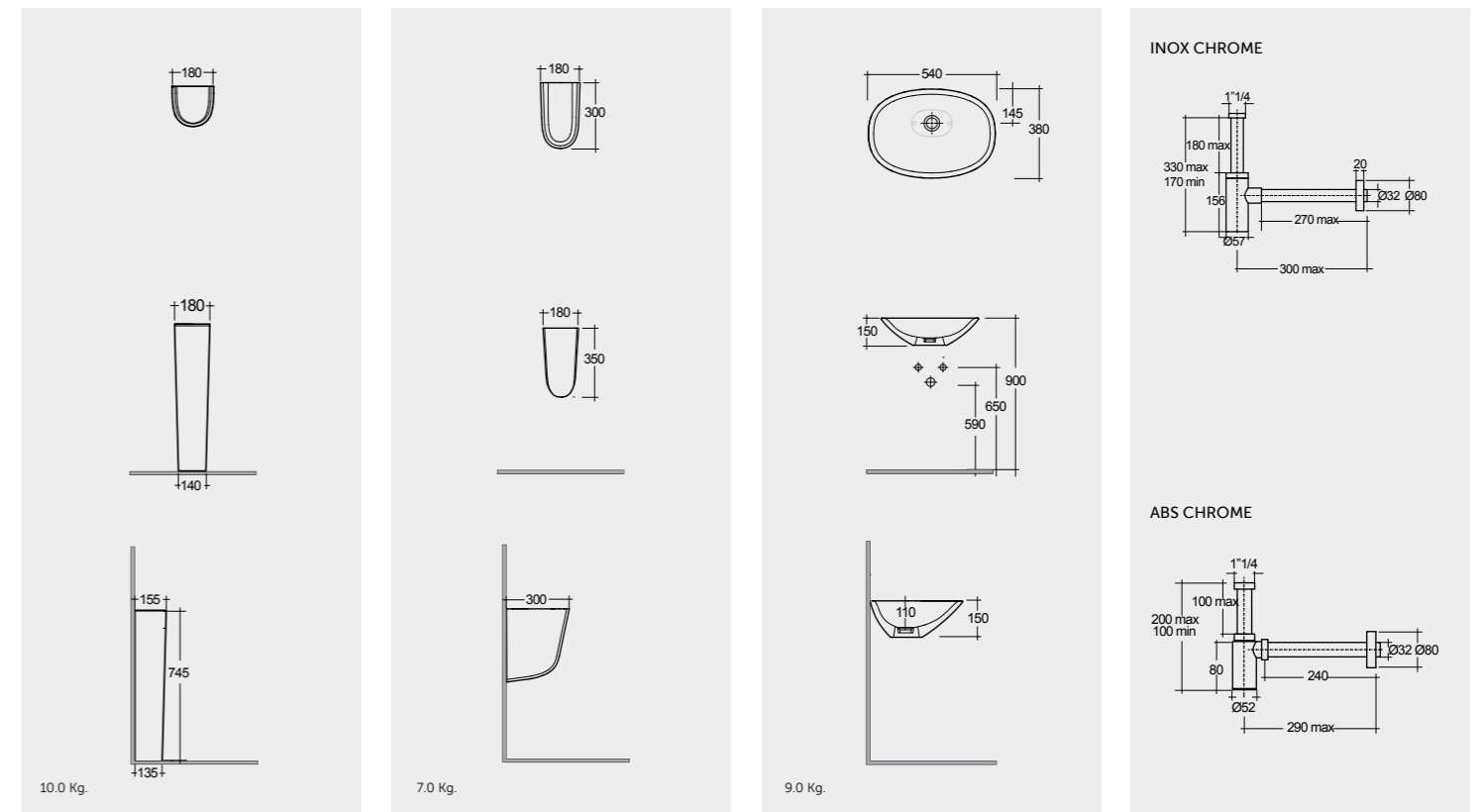
FOR WASH BASIN
ABS CHROME : BTRWBABS002

Suitable for Wash Basin : 65, 60, 55 CM

Suitable for Wash Basin : 65, 60, 55 CM

Inspectionable

Measurements | Misure | Dimensions | Abmessungen | Размеры



RAK-MORNING WITH RAK-PRECIOUS SURFACES



63 CM
PRESL06347102D

Suitable for RAK-Morning Counter Top WB :
54 CM



83 CM
PRESL08347102D

Suitable for RAK-Morning Counter Top WB :
54 CM



103 CM
PRESL10347102D

Suitable for RAK-Morning Counter Top WB :
54 CM



123 CM
PRESL12347102D

Suitable for RAK-Illusion WB :
55 / 50 CM



163 CM
PRESL12347102D

Suitable for RAK-Illusion WB :
65 / 60 / 55 / 50 CM



FOR VANITY
PP WHITE : BTRWBPPR021

Inspectionable
Compact Height



203 CM
PRESL12347102D

Suitable for RAK-Illusion WB :
65 / 60 / 55 / 50 CM

RAK-PRECIOUS - COLORS AND FINISHES

RAK-PRECIOUS - FINITURE E COLORI | RAK-PRECIOUS - FINITURES ET COULEURS |
RAK-PRECIOUS - OBERFLÄCHEN UND FARBEN | RAK-PRECIOUS - ЦВЕТА И ОТДЕЛКА

	100 CARRARA (LAPPATO)		103 SURFACE XL COOL GREY (NATURAL)
	101 MACAUBAS (NATURAL)		104 BEHIND GREY (NATURAL)
	102 TRAVERTINO IVORY (LAPPATO)		105 UNI DARK BLACK (NATURAL)



60 CM
SENCT5000AWHA

83 CM
PRESL08347103A

W 80 x D 46 x H 60CM
JOYWH080EGY

W 80 x D 2 x H 68CM
JOYMR08068LED

RAK-MORNING

Models | Modelli | Modèles | Modelle | Модели



64 CM
MORWC1146AWHA
Bottom Inlet: MORWT1800AWHA
Side Inlet: MORWT1801AWHA

64 CM
MORWC1050AWHA
Bottom Inlet: MORWT1800AWHA
Side Inlet: MORWT1801AWHA

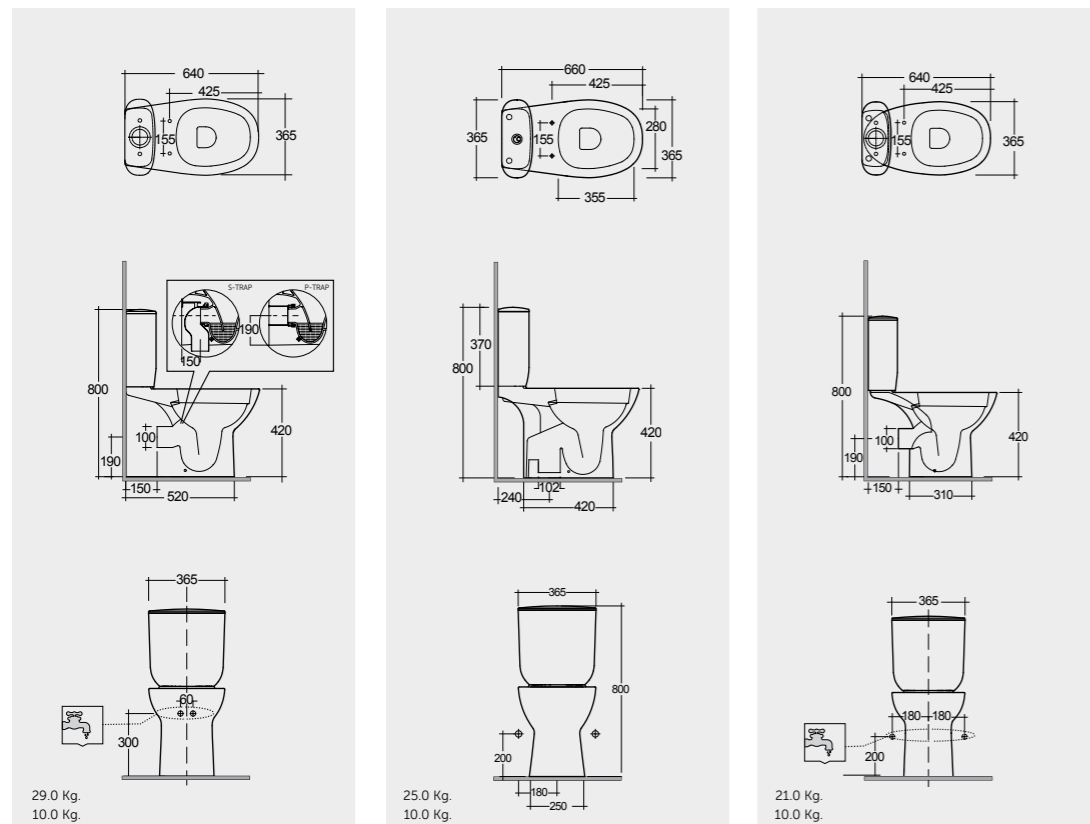
64 CM
MORWC1145AWHA
Bottom Inlet: MORWT1800AWHA
Side Inlet: MORWT1801AWHA

Comfort Height 42 CM

Comfort Height 42 CM
Back Open

Comfort Height 42 CM

Measurements | Mesure | Dimensions | Abmessungen | Размеры



Urea RAK-Morning
MORSC00001
 Urea RAK-Morning
MORSC3901WH

Urea RAK-Morning
MORSC00001
 Urea RAK-Morning
MORSC3901WH

Urea RAK-Morning
MORSC00001
 Urea RAK-Morning
MORSC3901WH

Note | Nota | Remarque | Hinweis | Примечание

All dimensions in mm tolerance $\pm 5\%$ for below 200mm and $\pm 3\%$ for above 200mm | Tutte le dimensioni hanno una tolleranza di $\pm 5\%$ mm al di sotto dei 200mm e di $\pm 3\%$ mm al di sopra dei 200mm | Toutes les dimensions en mm tolérance $\pm 5\%$ pour moins de 200mm et $\pm 3\%$ pour plus de 200mm/ Alle Abmessungen in mm, Toleranz $\pm 5\%$ für unter 200mm, und $\pm 3\%$ für über 200mm | Все размеры указаны в мм, погрешность $\pm 5\%$ ниже 200 мм и $\pm 3\%$ выше 200 мм

Models | Modelli | Modèles | Modelle | Модели



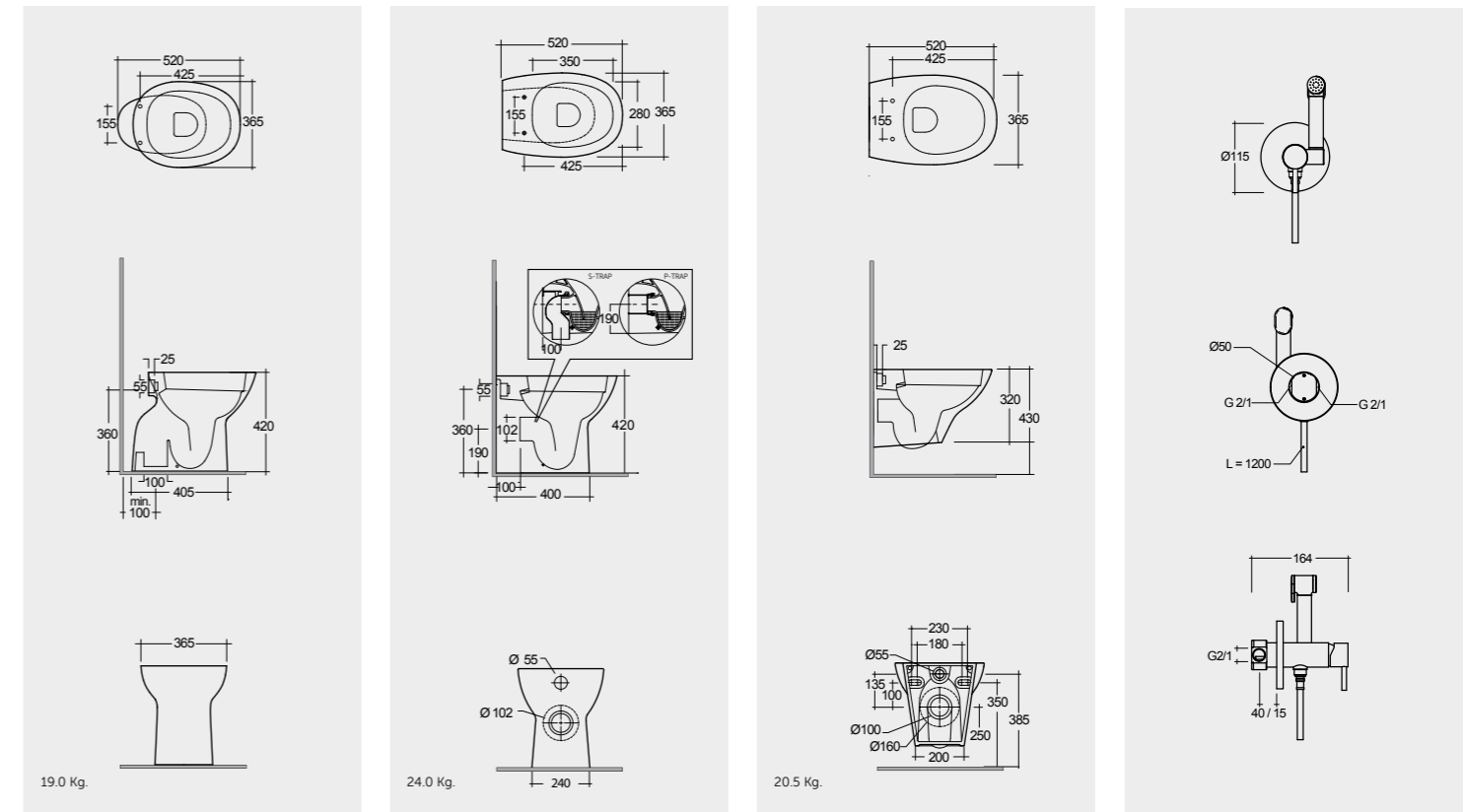
52 CM
MORWC1745AWHA

52 CM
MORWC1346AWHA

52 CM
MORWC1445AWHA

SET WITH MIXER (SHATAFF)
BRASS CHROME : SPRDOMX0001

Measurements | Mesure | Dimensions | Abmessungen | Размеры



Urea RAK-Morning
MORSC00001
 Urea RAK-Morning
MORSC3901WH

Urea RAK-Morning
MORSC00001
 Urea RAK-Morning
MORSC3901WH

Urea RAK-Morning
MORSC00001
 Urea RAK-Morning
MORSC3901WH

Models | Modelli | Modèles | Modelle | Модели



52 CM
MORBD2215AWHA

Comfort Height 42 CM



52 CM
MORBD2015AWHA

Comfort Height 42 CM



52 CM
MORBD2100AWHA

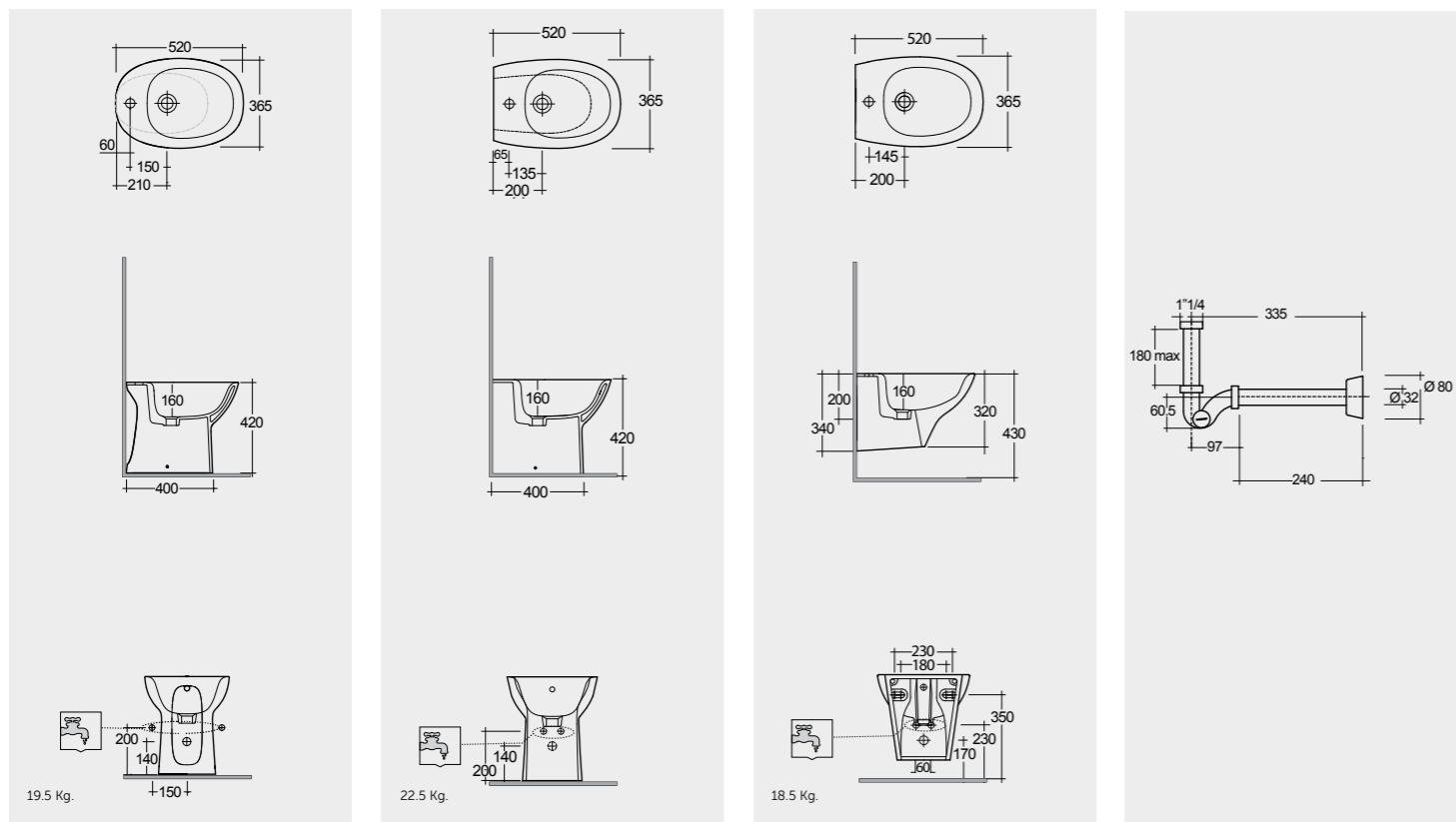


FOR BIDET
PP WHITE : BTRBDPPR011

FOR BIDET
ABS CHROME : BTRBDABS010

Inspectionable

Measurements | Misure | Dimensions | Abmessungen | Размеры



Note | Nota | Remarque | Hinweis | Примечание

All dimensions in mm tolerance $\pm 5\%$ for below 200mm and $\pm 3\%$ for above 200mm | Tutte le dimensioni hanno una tolleranza di $\pm 5\%$ mm al di sotto dei 200mm e di $\pm 3\%$ mm al di sopra dei 200mm | Toutes les dimensions en mm tolérance $\pm 5\%$ pour moins de 200mm et $\pm 3\%$ pour plus de 200mm/ Alle Abmessungen in mm, Toleranz $\pm 5\%$ für unter 200mm, und $\pm 3\%$ für über 200mm | Все размеры указаны в мм, погрешность $\pm 5\%$ ниже 200 мм и $\pm 3\%$ выше 200 мм

Alpine White
أبيض



52 CM
MORBD2215AWHA

52 CM
MORBD2015AWHA



55 CM MORWB5501AWHA MORHP2500AWHA



52 CM MORWC1445AWHA 52 CM MORBD2100AWHA

RAK-ORIGIN

RAK-Origin bathroom suite possesses a charming appearance and is characterized by elegant details and slim proportions that beautify contemporary and compact bath areas.

Available in closed coupled, back to wall and wall hung formats with quick release and soft close seat cover for easy cleaning.

Il completo bagno **RAK-Origin** ha un aspetto attraente ed è caratterizzato da dettagli eleganti e proporzioni sottili che imbelliscono aree bagno contemporanee e compatte.

Disponibile nei formati monoblocco, a muro e sospeso, con copriwater a sgancio rapido e chiusura ammortizzata per una facile pulizia.

Les salles de bains **RAK-d'origine** possède une apparence élégante et est caractérisée par des détails élégants et de minces proportions qui embellissent les zones de bains contemporaines et compactes.

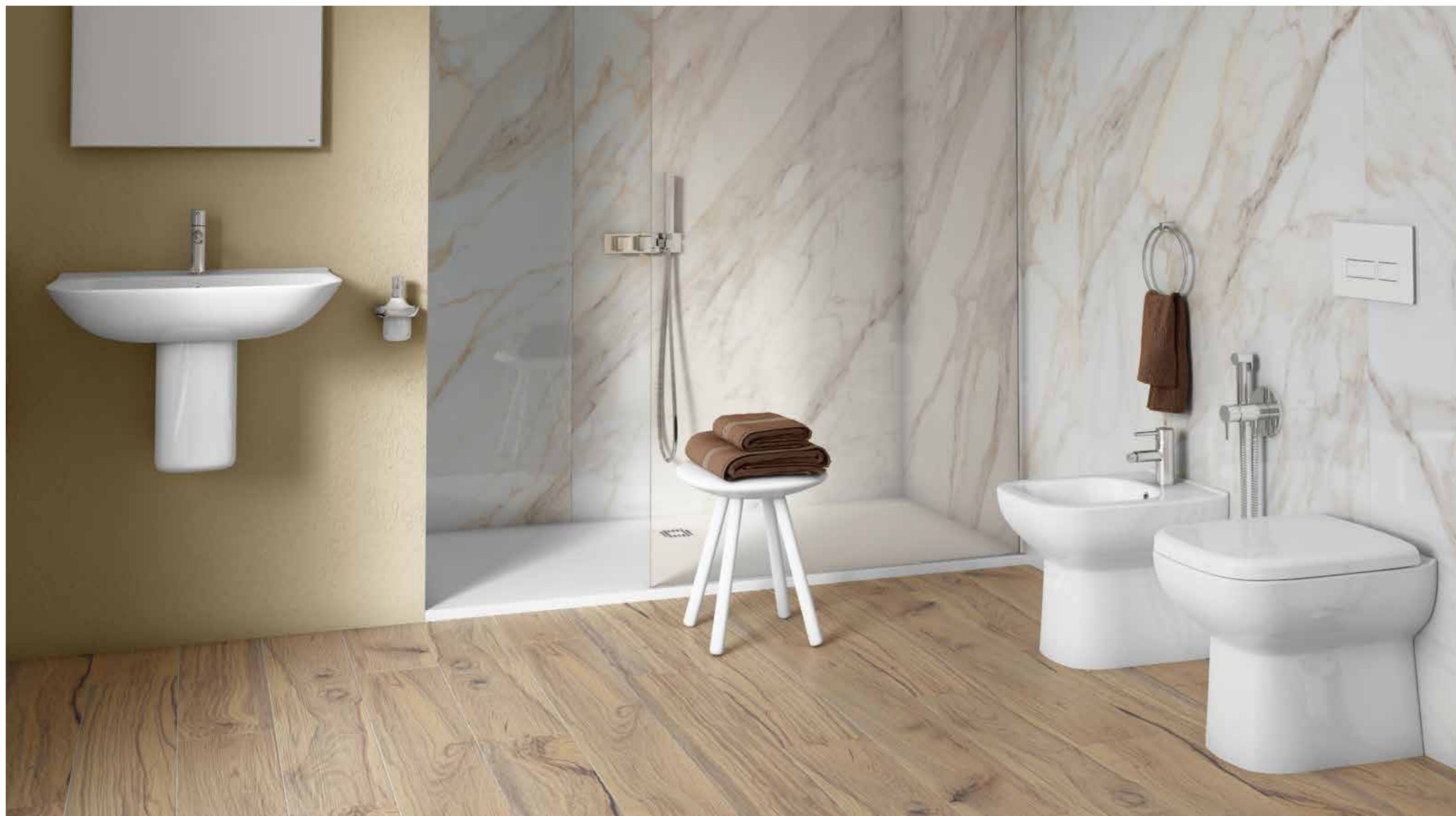
Disponible en formats monoblocs, dos au mur et suspendus, avec un revêtement de siège à libération rapide et amortisseur pour un nettoyage pratique.

Die **RAK-originnelle** Badezimmersausstattung hat eine charmante Erscheinung und zeichnet sich durch elegante Details und schlanke Proportionen aus, die den Badebereich modern verschönern.

Verfügbar in den Formaten geschlossen gekoppelt, Rückenwandmontage und zum Hängen an die Wand, mit Schnellverschluss und Soft-Close-Sitzabdeckung zur einfachen Reinigung.

Комплект сантехники для ванной комнаты **RAK-Origin** выглядит просто потрясающе благодаря элегантным деталям и изящным пропорциям, он станет украшением для любой современной ванной комнаты и не займёт много места.

Комплект доступен с пристенным и подвесным унитазами, а также с унитазом-компакт с быстрьюемной и мягко закрывающейся крышкой для легкой очистки.



52 CM
ORG0801AWHA
CY0103AWHA

50 CM
ORG17AWHA

50 CM
ORG08AWHA

Models | Modelli | Modèles | Modelle | Модели



65 CM
ORG0101AWHA
CY0102AWHA

52 CM
ORG0801AWHA
CY0102AWHA

45 CM
ORG0701AWHA
CY0102AWHA

65 CM
ORG0101AWHA
CY0103AWHA

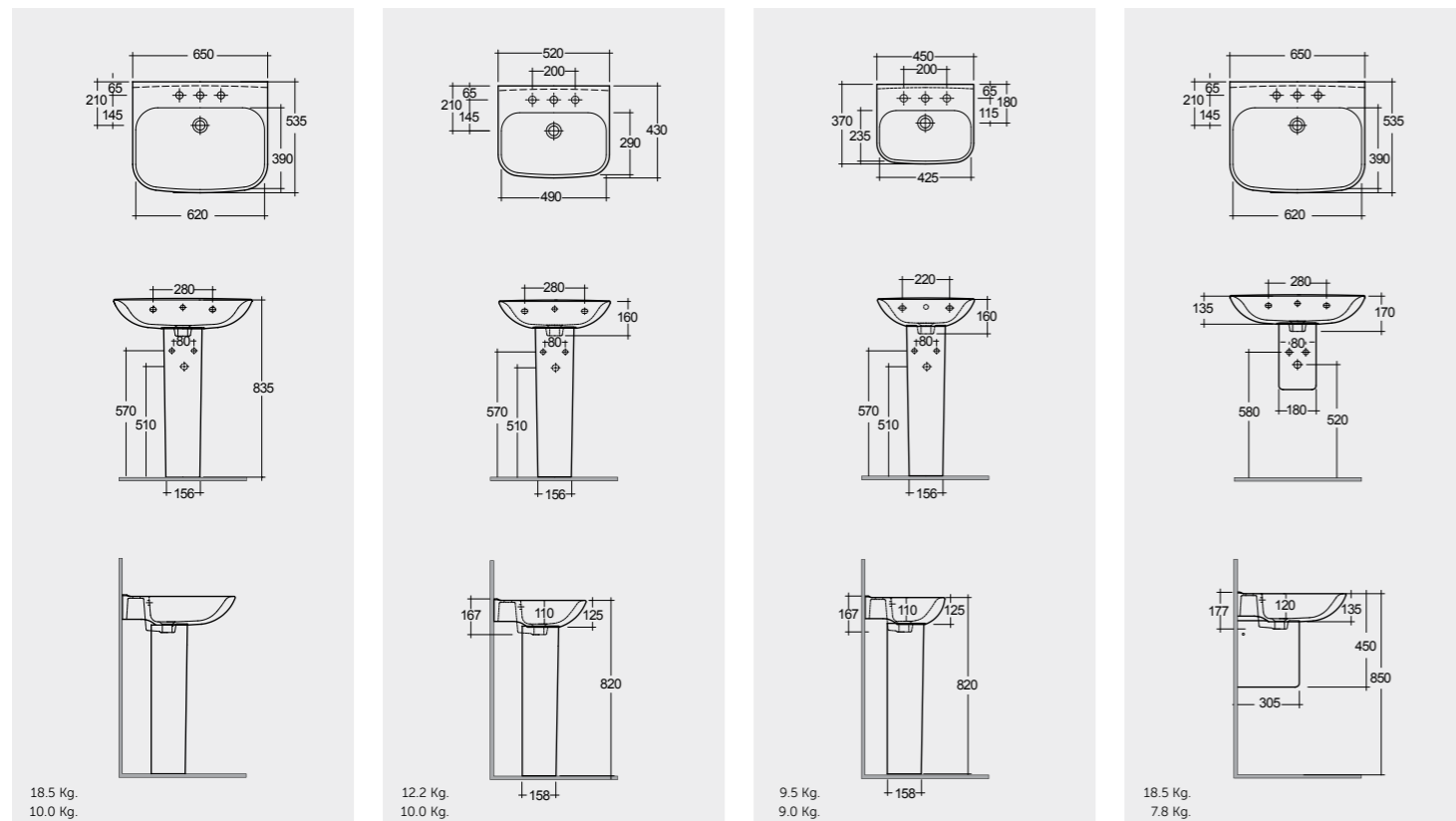
Models | Modelli | Modèles | Modelle | Модели



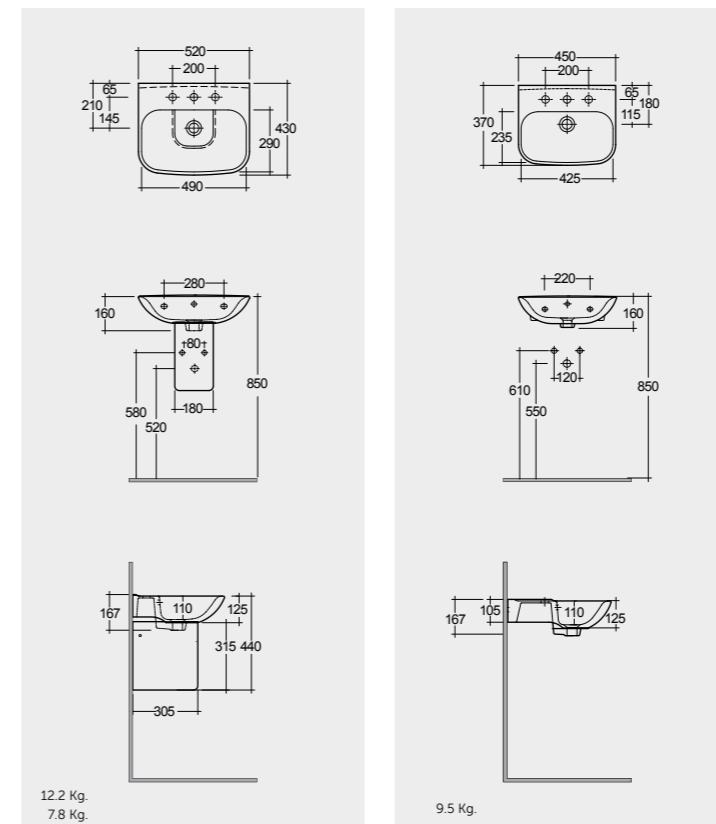
52 CM
ORG0801AWHA
CY0103AWHA

45 CM
ORG0701AWHA

Measurements | Misure | Dimensions | Abmessungen | Размеры



Measurements | Misure | Dimensions | Abmessungen | Размеры



65 CM
ORG0101AWHA
CY0103AWHA

Note | Nota | Remarque | Hinweis | Примечание

All dimensions in mm tolerance $\pm 5\%$ for below 200mm and $\pm 3\%$ for above 200mm | Tutte le dimensioni hanno una tolleranza di $\pm 5\%$ mm al di sotto dei 200mm e di $\pm 3\%$ mm al di sopra dei 200mm | Toutes les dimensions en mm tolérance $\pm 5\%$ pour moins de 200mm/ et $\pm 3\%$ pour plus de 200mm/ Alle Abmessungen in mm, Toleranz $\pm 5\%$ für unter 200mm, und $\pm 3\%$ für über 200mm | Все размеры указаны в мм, погрешность $\pm 5\%$ ниже 200 мм и $\pm 3\%$ выше 200 мм

Models | Modelli | Modèles | Modelle | Модели



65 CM
ORG03AWHA
ORG10AWHA

62 CM
ORG11AWHA
ORG10AWHA

50 CM
ORG17AWHA

50 CM
ORG12AWHA

Models | Modelli | Modèles | Modelle | Модели



50 CM
ORG14AWHA

50 CM
ORG08AWHA

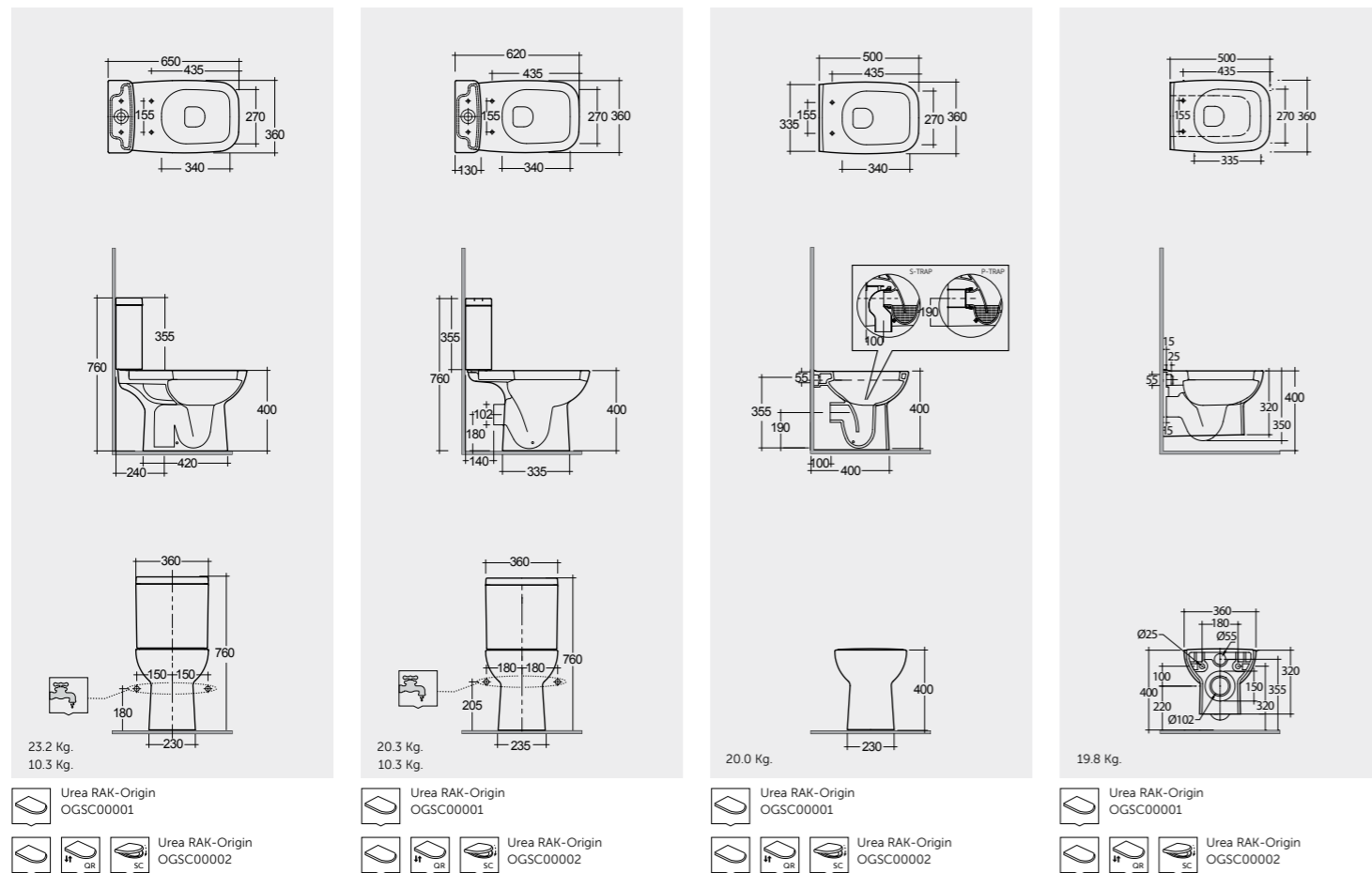
FOR BIDET
ABS CHROME : BTRBDABS010

FOR BIDET
PP WHITE : BTRBDPPR011

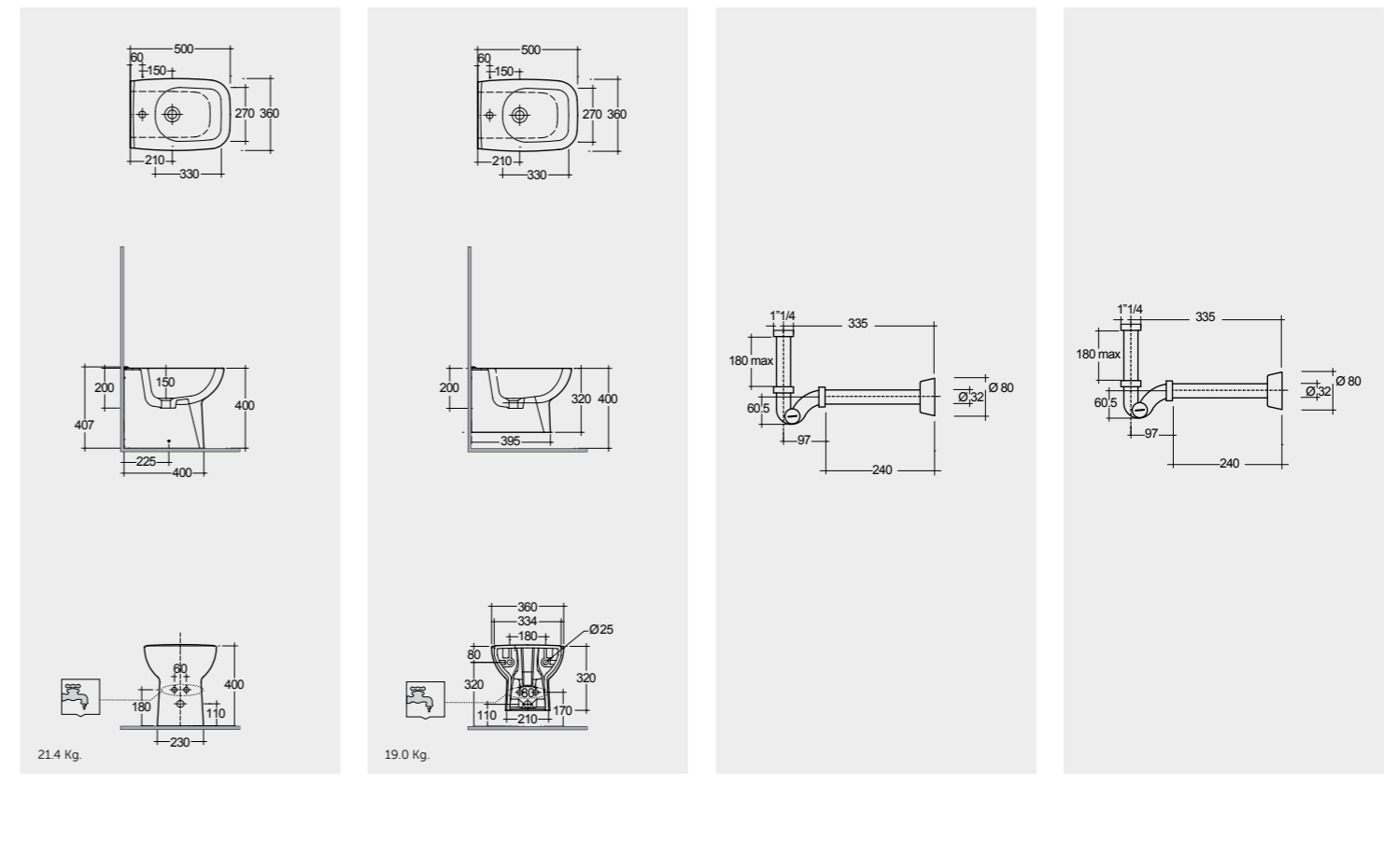
Inspectionable

Inspectionable

Measurements | Misure | Dimensions | Abmessungen | Размеры



Measurements | Misure | Dimensions | Abmessungen | Размеры



Note | Nota | Remarque | Hinweis | Примечание

All dimensions in mm tolerance $\pm 5\%$ for below 200mm and $\pm 3\%$ for above 200mm | Tutte le dimensioni hanno una tolleranza di $\pm 5\%$ mm al di sotto dei 200mm e di $\pm 3\%$ mm al di sopra dei 200mm | Toutes les dimensions en mm tolérance $\pm 5\%$ pour moins de 200mm et $\pm 3\%$ pour plus de 200mm/ Alle Abmessungen in mm, Toleranz $\pm 5\%$ für unter 200mm, und $\pm 3\%$ für über 200mm | Все размеры указаны в мм, погрешность $\pm 5\%$ ниже 200 мм и $\pm 3\%$ выше 200 мм

RAK-ORIENT

RAK-Orient has a minimalistic yet fashionable style that is designed to create a soothing atmosphere. This compact yet curvaceous suite makes bathroom areas appear more spacious.

RAK-Orient ha uno stile minimale ma alla moda progettato per creare un'atmosfera rilassante. Questo completo bagno compatto ma curvilineo fa apparire l'area bagno più spaziosa.

RAK-Orient possède un style minimaliste, cependant, élégant qui est conçu pour créer une atmosphère apaisante. Cette salle de bains compacte et en courbe donnent une apparence spacieuses aux zones de baign.

RAK-Orient hat einen minimalistischen und modischen Stil, entworfen, um eine beruhigende Atmosphäre zu schaffen. Die kompakte und dennoch kurvenreiche Ausstattung lässt das Badezimmer geräumiger erscheinen.

Комплект сантехники для ванной комнаты **RAK-Orient** одновременно минималистичный и изысканный, он создан для создания атмосферы спокойствия. Благодаря изяществу и компактности этого комплекта ваша ванная комната будет выглядеть более просторной. Комплект RAK-Orient предлагается с пристенным и подвесным унитазами, а также с унитазом-компакт в семи различных расцветках.



65 CM
ORWB00001
ORPD00001

56 CM
ORWC00003

56 CM
ORBI00001

Models | Modelli | Modèles | Modelle | Модели



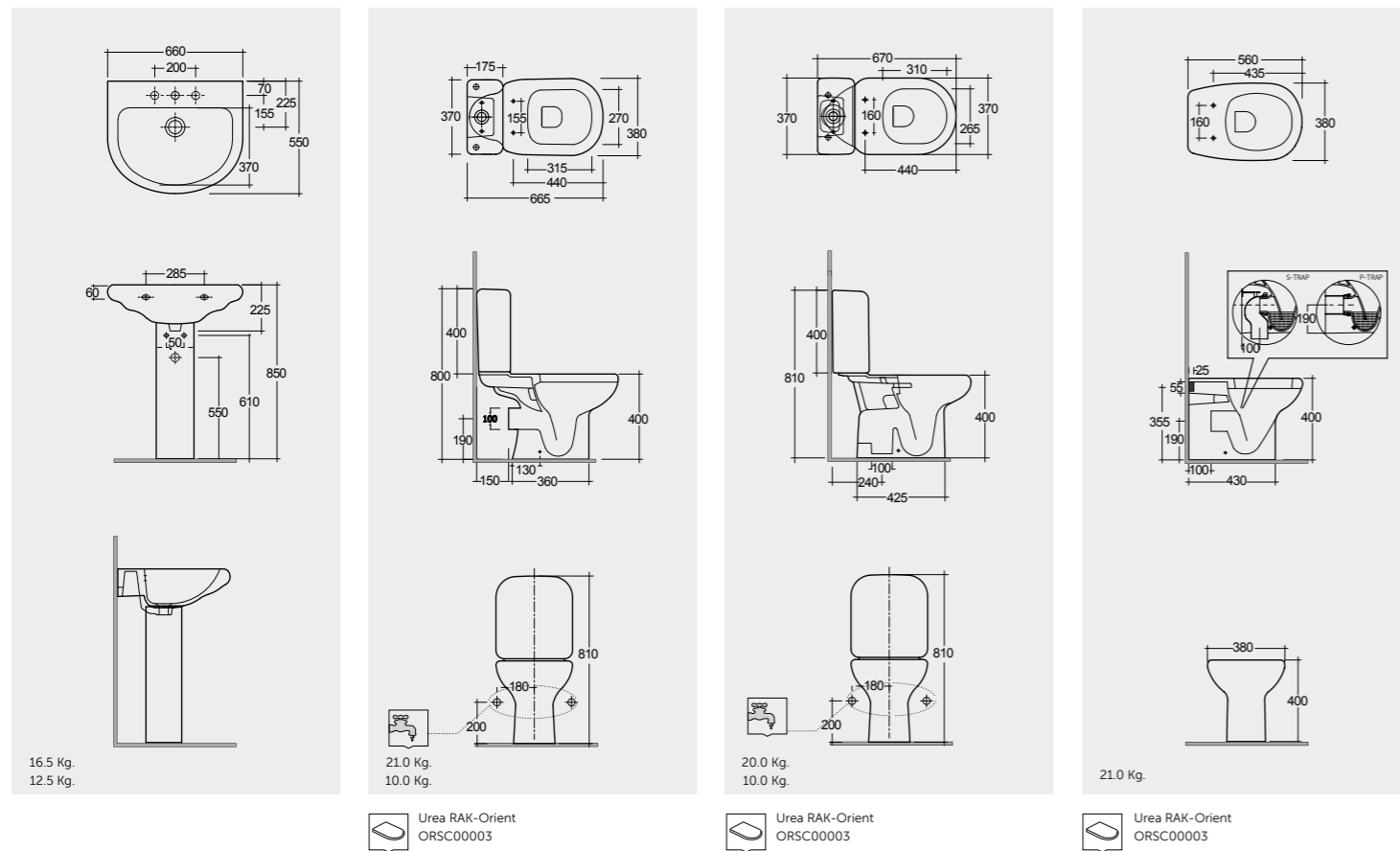
65 CM
ORWB00001
ORPD00001

66 CM
ORWC00004
ORWT00001

67 CM
ORWC00001
ORWT00001

56 CM
ORWC00003

Measurements | Misure | Dimensions | Abmessungen | Размеры



Note | Nota | Remarque | Hinweis | Примечание

All dimensions in mm tolerance $\pm 5\%$ for below 200mm and $\pm 3\%$ for above 200mm | Tutte le dimensioni hanno una tolleranza di $\pm 5\%$ mm al di sotto dei 200mm e di $\pm 3\%$ mm al di sopra dei 200mm | Toutes les dimensions en mm tolérance $\pm 5\%$ pour moins de 200mm et $\pm 3\%$ pour plus de 200mm/ Alle Abmessungen in mm, Toleranz $\pm 5\%$ für unter 200mm, und $\pm 3\%$ für über 200mm | Все размеры указаны в мм, погрешность $\pm 5\%$ ниже 200 мм и $\pm 3\%$ выше 200 мм

Models | Modelli | Modèles | Modelle | Модели



56 CM
ORWC00002

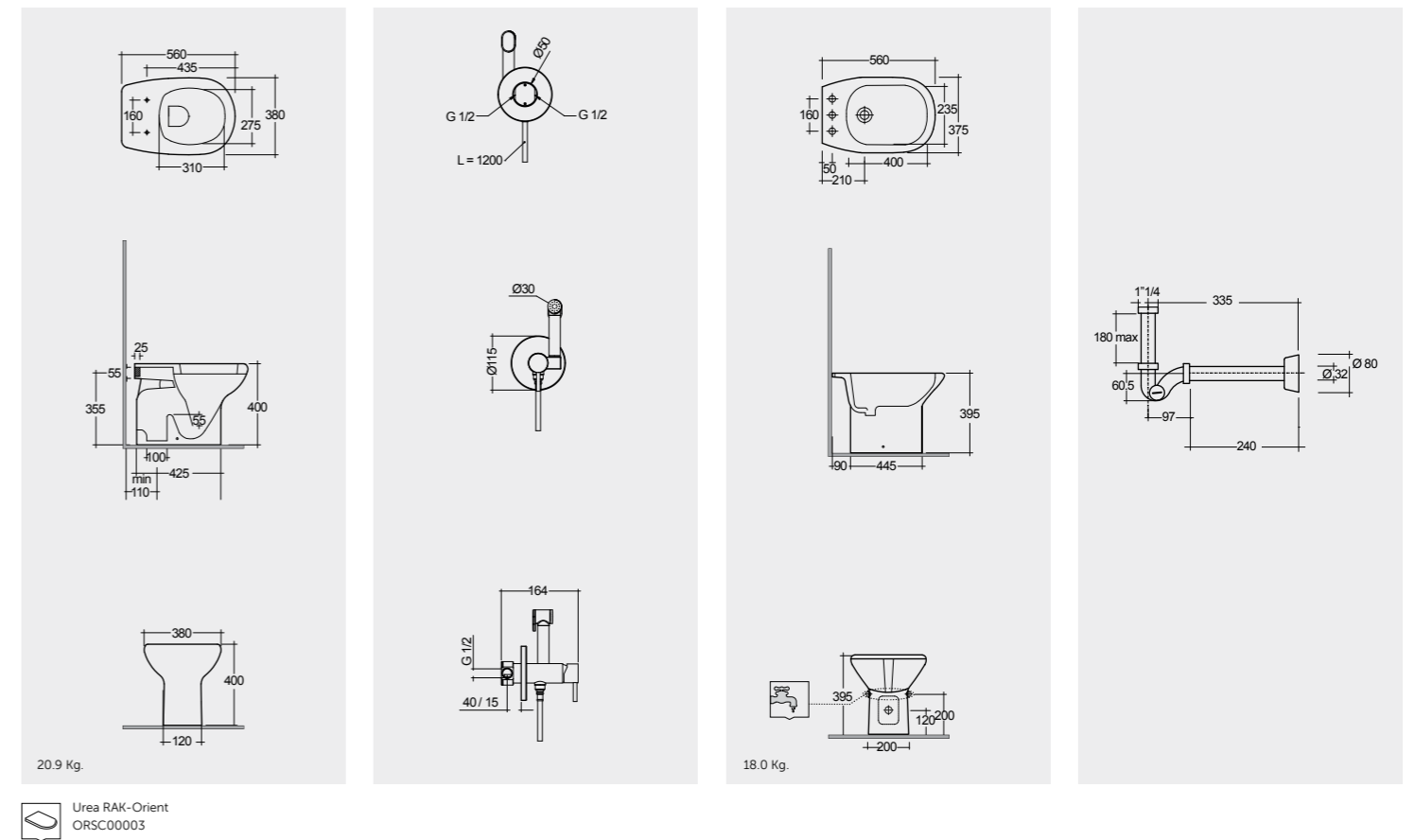
SET WITH MIXER (SHATAFF)
BRASS CHROME : SPRDOMX0001

56 CM
ORBI00001



FOR BIDET
ABS CHROME : BTRBDABS010


Inspectable

Measurements | Misure | Dimensions | Abmessungen | Размеры







 66 CM
 ORWC00004
 ORWT00001


 56 CM
 ORBI00001





 65 CM
 ORWB00001
 ORPD00001

RAK-KARLA

RAK-Karla's short projections and graceful form is an impressive combination offering exclusivity to the bath area without compromising on durability. Its overall appearance transforms even small bathrooms into a comfortable place to unwind.

Le piccole sporgenze e le graziose forme di **RAK-Karla** costituiscono una notevole combinazione che conferisce esclusività all'area bagno senza comprometterne la durabilità. Il suo aspetto generale trasforma anche un piccolo bagno in un luogo confortevole in cui rilassarsi.

Les courtes projections et la forme gracieuse de la salle de bains **RAK-Karla** est une impressionnante association qui offre une exclusivité de la zone de bains sans compromettre sa longévité. Son apparence générale transforme aussi les petites salles de bains en espace fonctionnel pour décompresser.

Die kurzen Projektionen und die Anmutige Formgebung von **RAK-Karla** ist eine beeindruckende Kombination an Exklusivität im Badbereich - ohne Kompromisse in der Haltbarkeit. Der Gesamteindruck verwandelt auch kleine Badezimmer in einen komfortablen Ort zur Entspannung.

Небольшие размеры и изящные формы комплекта сантехники **RAK-Karla** — впечатляющая комбинация, которая позволит сделать вашу ванную комнату уникальной. При этом небольшие размеры вовсе не значат, что сантехника не будет служить долго! Её дизайн способен превратить даже маленькую ванную комнату в комфортные пространство, располагающее к отдыху. Комплект RAK-Karla доступен с пристенным и подвесным унитазами, а также с унитазом-компакт в семи различных расцветках.



65 CM
KAWB00003
KAPD00002

55 CM
KAWC00003

55 CM
KR08AWHA

Models | Modelli | Modèles | Modelle | Модели



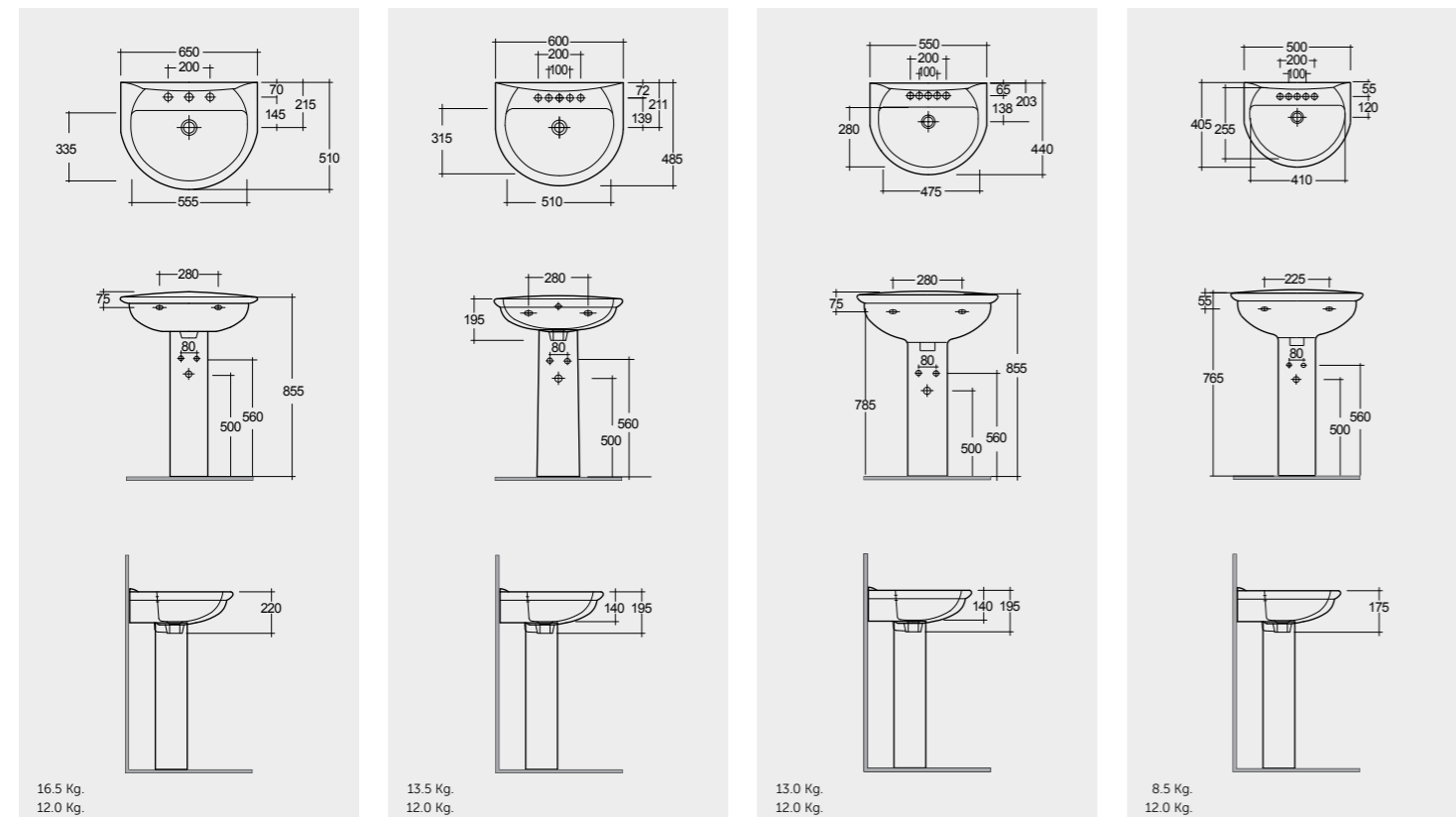
65 CM
KAWB00003
KAPD00001

60 CM
KAWB00004
KAPD00001

55 CM
KAWB00002
KAPD00001

50 CM
KAWB00001
KAPD00001

Measurements | Misure | Dimensions | Abmessungen | Размеры



Note | Nota | Remarque | Hinweis | Примечание

All dimensions in mm tolerance $\pm 5\%$ for below 200mm and $\pm 3\%$ for above 200mm | Tutte le dimensioni hanno una tolleranza di $\pm 5\%$ mm al di sotto dei 200mm e di $\pm 3\%$ mm al di sopra dei 200mm | Toutes les dimensions en mm tolérance $\pm 5\%$ pour moins de 200mm et $\pm 3\%$ pour plus de 200mm/ Alle Abmessungen in mm, Toleranz $\pm 5\%$ für unter 200mm, und $\pm 3\%$ für über 200mm | Все размеры указаны в мм, погрешность $\pm 5\%$ ниже 200 мм и $\pm 3\%$ выше 200 мм



65 CM
KAWB00003
KAPD00001

Models | Modelli | Modèles | Modelle | Модели



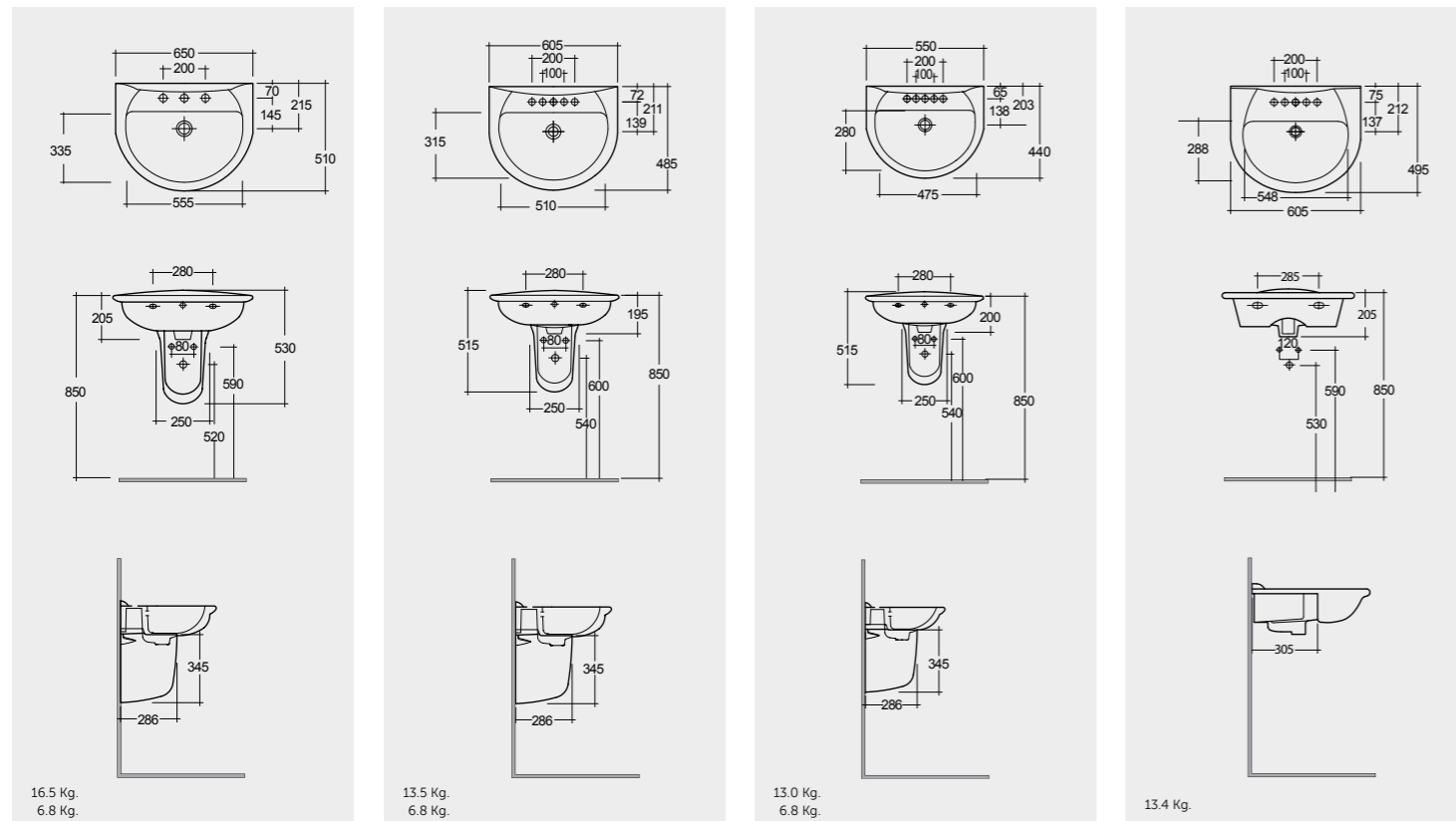
65 CM
KAWB00003
KAPD00002

60 CM
KAWB00004
KAPD00002

55 CM
KAWB00002
KAPD00002

60 CM
LAKA00001

Measurements | Misure | Dimensions | Abmessungen | Размеры



Note | Nota | Remarque | Hinweis | Примечание

All dimensions in mm tolerance $\pm 5\%$ for below 200mm and $\pm 3\%$ for above 200mm | Tutte le dimensioni hanno una tolleranza di $\pm 5\%$ mm al di sotto dei 200mm e di $\pm 3\%$ mm al di sopra dei 200mm | Toutes les dimensions en mm tolérance $\pm 5\%$ pour moins de 200mm et $\pm 3\%$ pour plus de 200mm / Alle Abmessungen in mm, Toleranz $\pm 5\%$ für unter 200mm, und $\pm 3\%$ für über 200mm | Все размеры указаны в мм, погрешность $\pm 5\%$ ниже 200 мм и $\pm 3\%$ выше 200 мм

Models | Modelli | Modèles | Modelle | Модели



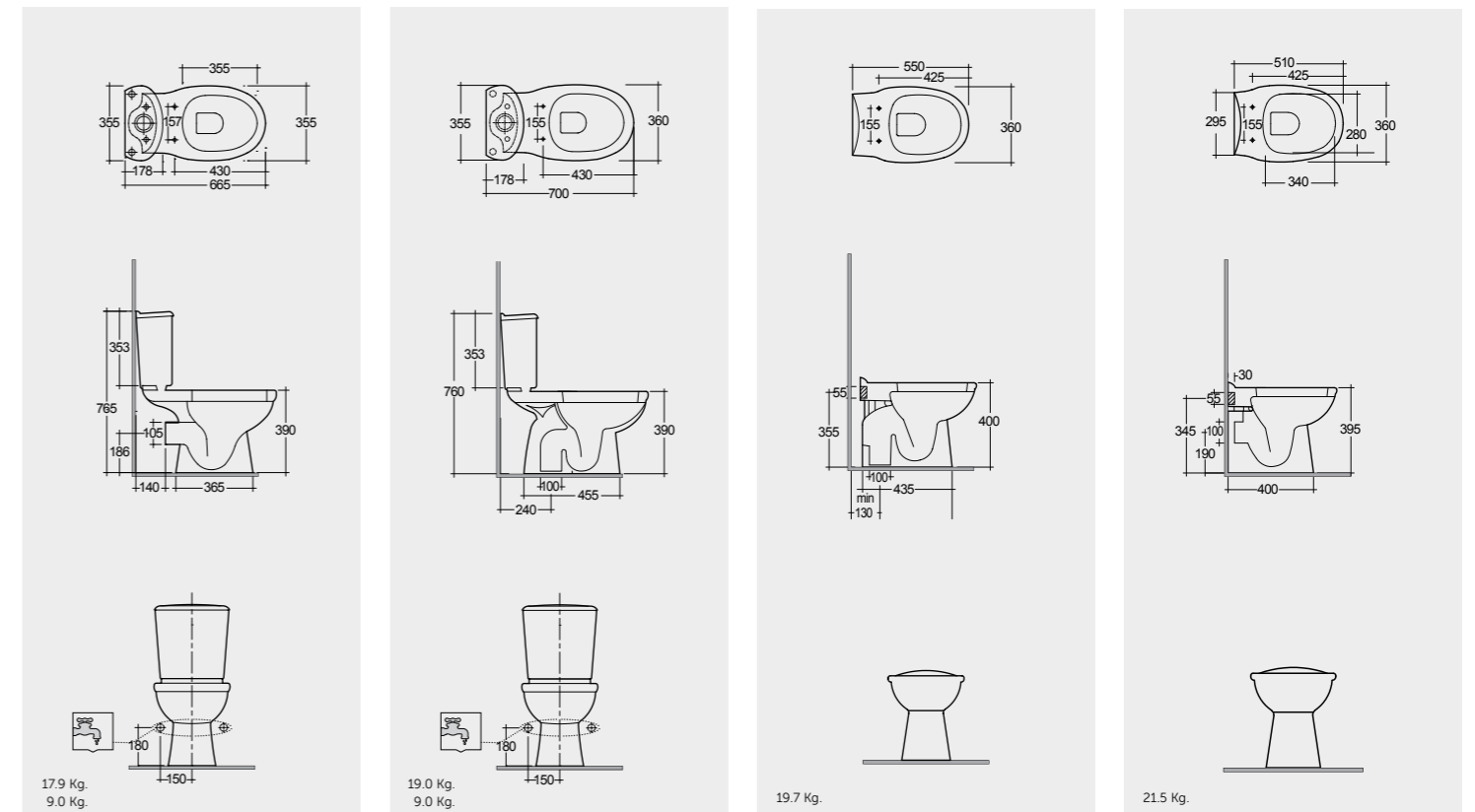
66 CM
KAWC00005
KAWT00001

70 CM
KAWC00001
KAWT00001

55 CM
KAWC00002

51 CM
KAWC00004

Measurements | Misure | Dimensions | Abmessungen | Размеры



Urea RAK-Karla (Stainless Steel)
KASC00002

Urea RAK-Karla (Nylon)
KASC00004

Urea RAK-Karla (Stainless Steel)
KASC00002

Urea RAK-Karla (Nylon)
KASC00004

Urea RAK-Karla (Stainless Steel)
KASC00002

Urea RAK-Karla (Nylon)
KASC00004

Urea RAK-Karla (Stainless Steel)
KASC00002

Urea RAK-Karla (Nylon)
KASC00004

Models | Modelli | Modèles | Modelle | Модели



55 CM
KAWC00003



66 CM
KAWC00006
KAWT00002

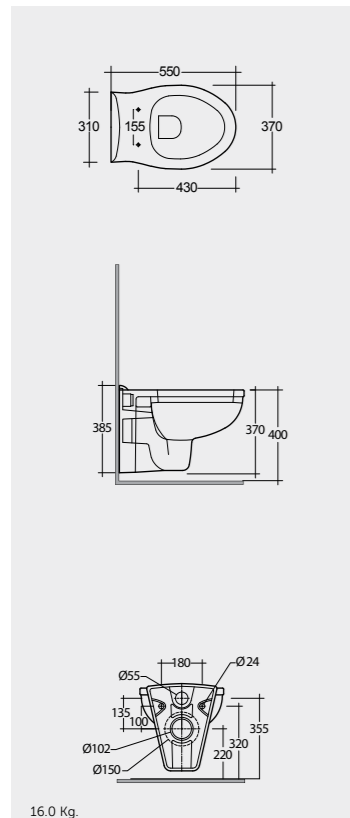


58 CM
KABI00001

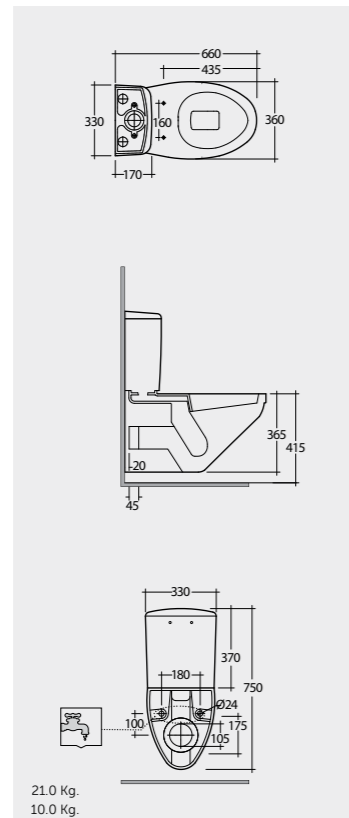


55 CM
KR08AWHA

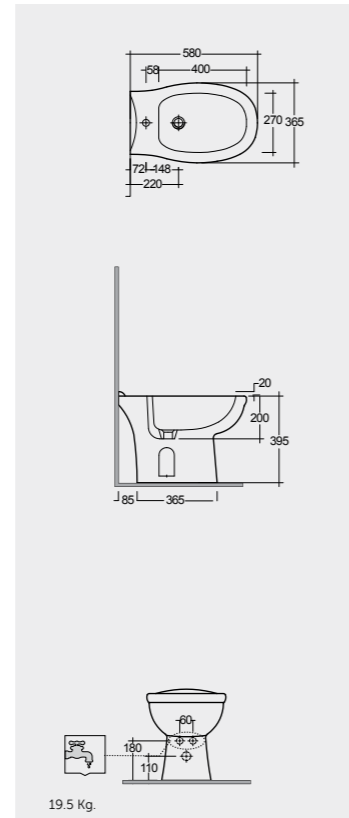
Measurements | Misure | Dimensions | Abmessungen | Размеры



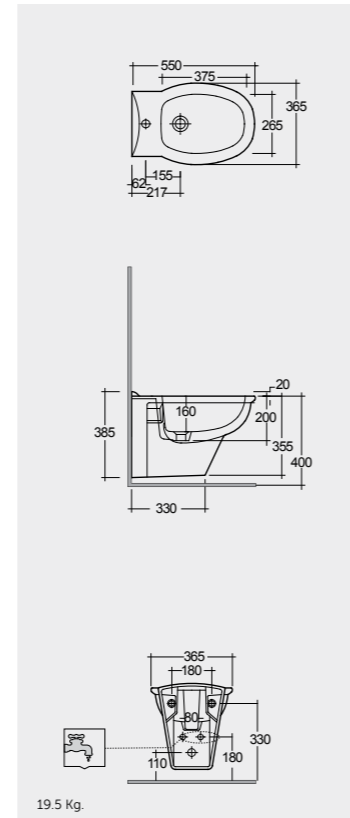
Urea RAK-Karla (Stainless Steel)
KASC00002



Urea RAK-Karla (Stainless Steel)
KASC00002



Urea RAK-Karla (Nylon)
KASC00004



Note | Nota | Remarque | Hinweis | Примечание

All dimensions in mm tolerance $\pm 5\%$ for below 200mm and $\pm 3\%$ for above 200mm | Tutte le dimensioni hanno una tolleranza di $\pm 5\%$ mm al di sotto dei 200mm e di $\pm 3\%$ mm al di sopra dei 200mm | Toutes les dimensions en mm tolérance $\pm 5\%$ pour moins de 200mm et $\pm 3\%$ pour plus de 200mm/ Alle Abmessungen in mm, Toleranz $\pm 5\%$ für unter 200mm, und $\pm 3\%$ für über 200mm | Все размеры указаны в мм, погрешность $\pm 5\%$ ниже 200 мм и $\pm 3\%$ выше 200 мм



55 CM
KAWC00002

58 CM
KABI00001

WASH BASINS
LAVABI
VASQUES
WASCHBECKEN
УМЫВАЛЬНИКИ

RAK-PRECIOUS

With richer finishes, **RAK-Precious** provides a luxurious alternative to the functional ceramic white. Combining collections for floors, walls, bathroom furnishings and accessories, RAK-Precious offers complete solutions, enabling you to create your own personal idea of harmony.

Grazie alla ricca scelta di finiture materiche, alternative alla classica ceramica bianca, **RAK-Precious** offre la possibilità di ottenere un effetto total look, combinando i lavabi a pavimenti, rivestimenti, mobili bagno ed accessori, in linea con la tua idea personale di armonia e continuità estetica.

Grâce au riche choix de finitures matérielles, comme alternatives à la céramique blanche classique, **RAK-Precious** offre la possibilité d'obtenir un effet de look complet, en combinant les lavabos avec les sols, les revêtements, les meubles de salle de bains et les accessoires, conformément à votre idée personnelle de l'harmonie et de la continuité esthétique.

Dank der großen Auswahl an Materialoberflächen, als Alternativen zum klassischen Keramik, bietet **RAK-Precious** die Möglichkeit einer ganzheitlichen Wirkung, indem die Waschbecken mit den Böden, Wandverkleidungen, Badezimmermöbeln und Accessoires, in Einklang mit Ihrer persönlichen Vorstellung von Harmonie und ästhetischer Kontinuität, kombiniert werden.

Имея в распоряжении более качественные отделочные материалы, **RAK-Precious** предоставляет эксклюзивные альтернативные решения вместо функциональной белой керамики. Сочетая коллекции напольной и настенной плитки, мебели для ванных комнат, аксессуары RAK-Precious предлагает готовые решения, позволяющие гармонично воплощать ваши креативные идеи.



123 CM
PRECT12347100A

CARRARA (LAPPATO)

W 100 x D 2 x H 68CM
JOYMR10068STD

WASH
BASINS

RAK-PRECIOUS

PRECIOUS SOLUTIONS FOR YOUR BATHROOM

PEZIOSE SOLUZIONI PER IL TUO BAGNO | SOLUTIONS PRÉCIEUSES POUR VOTRE SALLE DE BAINS | HOCHWERTIGE LÖSUNGEN FÜR IHR BADEZIMMER | БЕСЦЕННОЕ РЕШЕНИЕ ДЛЯ ВАШЕЙ ВАННОЙ КОМНАТЫ



RAK-Precious washbasins



RAK-Precious washbasins



Counter top washbasins



RAK-Precious counter top surfaces

RAK
CERAMICS

100
CARRARA
(LAPPATO)

RAK
CERAMICS

102
TRAVERTINO IVORY
(LAPPATO)

RAK
CERAMICS

104
BEHIND GREY
(NATURAL)

RAK
CERAMICS

101
MACAUBAS
(NATURAL)

RAK
CERAMICS

103
SURFACE XL COOL GREY
(NATURAL)

RAK
CERAMICS

105
UNI DARK BLACK
(NATURAL)

WASH
BASINS

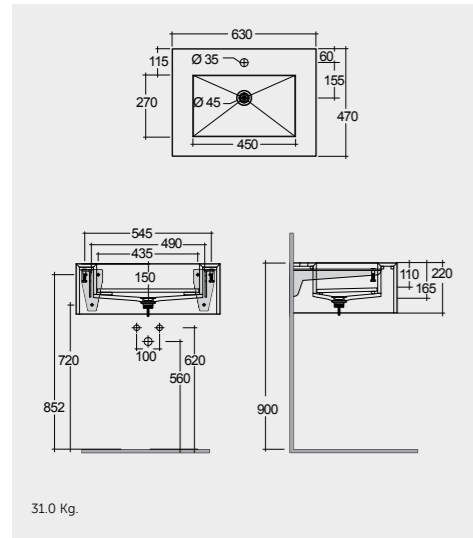
RAK-PRECIOUS

Counter Wash Basin 63 CM



63 CM
PRECT06347102A

Drain Included



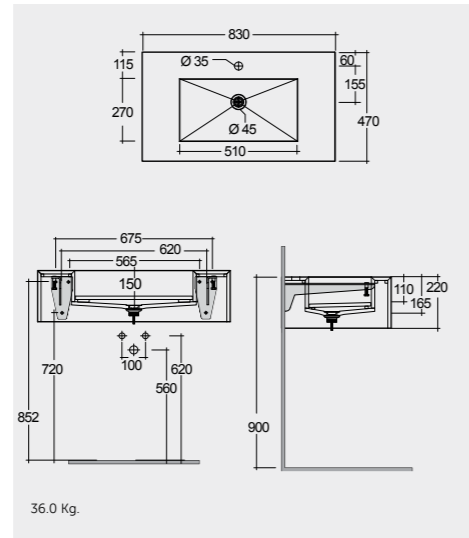
-  100 CARRARA (LAPPATO)
-  101 MACAUBAS (NATURAL)
-  102 TRAVERTINO IVORY (LAPPATO)
-  103 SURFACE XL COOL GREY (NATURAL)
-  104 BEHIND GREY (NATURAL)
-  105 UNI DARK BLACK (NATURAL)

Counter Wash Basin 83 CM



83 CM
PRECT08347102A

Drain Included



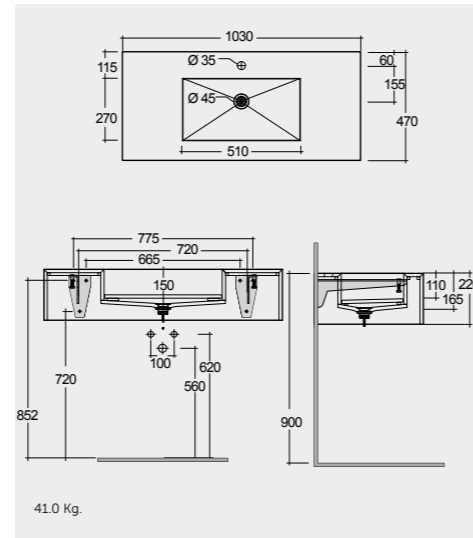
-  100 CARRARA (LAPPATO)
-  101 MACAUBAS (NATURAL)
-  102 TRAVERTINO IVORY (LAPPATO)
-  103 SURFACE XL COOL GREY (NATURAL)
-  104 BEHIND GREY (NATURAL)
-  105 UNI DARK BLACK (NATURAL)

Counter Wash Basin 103 CM



103 CM
PRECT10347102A

Drain Included



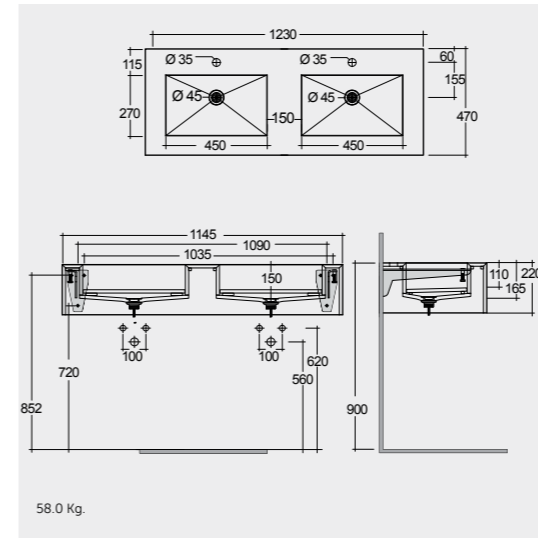
-  100 CARRARA (LAPPATO)
-  101 MACAUBAS (NATURAL)
-  102 TRAVERTINO IVORY (LAPPATO)
-  103 SURFACE XL COOL GREY (NATURAL)
-  104 BEHIND GREY (NATURAL)
-  105 UNI DARK BLACK (NATURAL)

Counter Wash Basin 123 CM



123 CM
PRECT12347102A

Drain Included (2)



-  100 CARRARA (LAPPATO)
-  101 MACAUBAS (NATURAL)
-  102 TRAVERTINO IVORY (LAPPATO)
-  103 SURFACE XL COOL GREY (NATURAL)
-  104 BEHIND GREY (NATURAL)
-  105 UNI DARK BLACK (NATURAL)

L-Brackets for Counter Wash Basins

Staffe ad L per lavabo sospeso
L'étrier à L pour le lavabo suspendu
L-Bügel für Hängewaschbecken
L-Образные Крепежи Для Раковины Из Керамогранита

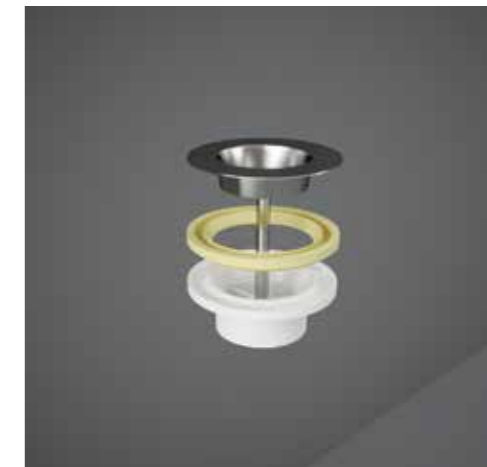


L-BRACKETS
PRE0000000200A

Not Included (needed)

Drain for Counter and Drop in Wash Basins

Scarico per lavabo sospeso e lavabo da incasso
Écoulement pour lavabos suspendus et plans vasque
Abfluss für Hänge- und Einbauwaschbecken
Слив Для Раковин Из Керамогранита И Встраиваемых Раковин



DRAIN
PRE0000000201A

Included

Note | Nota | Remarque | Hinweis | Примечание

All dimensions in mm tolerance $\pm 5\%$ for below 200mm and $\pm 3\%$ for above 200mm | Tutte le dimensioni hanno una tolleranza di $\pm 5\%$ mm al di sotto dei 200mm e di $\pm 3\%$ mm al di sopra dei 200mm | Toutes les dimensions en mm tolérance $\pm 5\%$ pour moins de 200mm et $\pm 3\%$ pour plus de 200mm/ Alle Abmessungen in mm, Toleranz $\pm 5\%$ für unter 200mm, und $\pm 3\%$ für über 200mm | Все размеры указаны в мм, погрешность $\pm 5\%$ ниже 200 мм и $\pm 3\%$ выше 200 мм

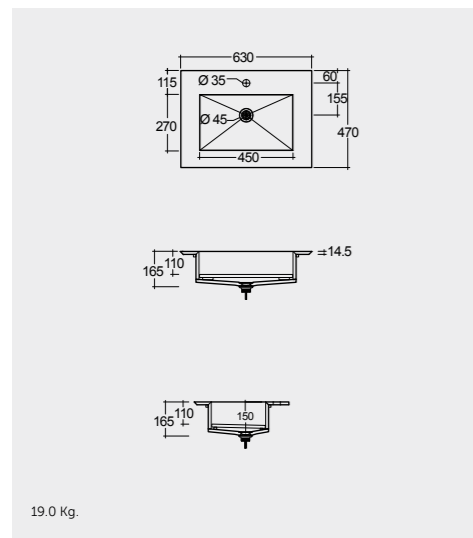
RAK-PRECIOUS

Drop-In Wash Basin 63 CM



63 CM
PREOC06347102A

Drain Included



19.0 Kg.

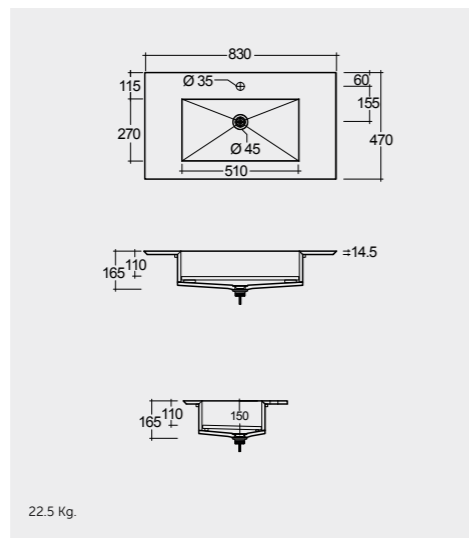
- 100 CARRARA (LAPPATO)
- 101 MACAUBAS (NATURAL)
- 102 TRAVERTINO IVORY (LAPPATO)
- 103 SURFACE XL COOL GREY (NATURAL)
- 104 BEHIND GREY (NATURAL)
- 105 UNI DARK BLACK (NATURAL)

Drop-In Wash Basin 83 CM



83 CM
PREOC08347102A

Drain Included



22.5 Kg.

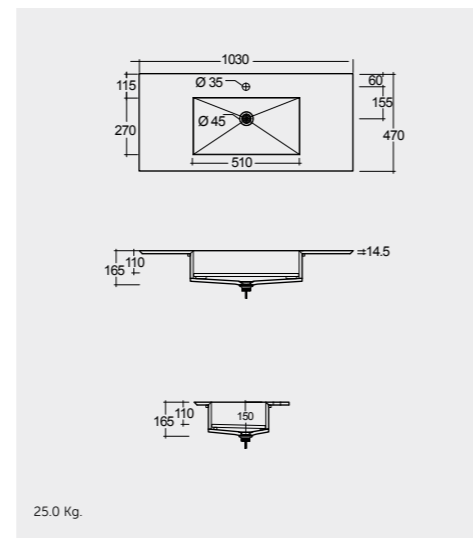
- 100 CARRARA (LAPPATO)
- 101 MACAUBAS (NATURAL)
- 102 TRAVERTINO IVORY (LAPPATO)
- 103 SURFACE XL COOL GREY (NATURAL)
- 104 BEHIND GREY (NATURAL)
- 105 UNI DARK BLACK (NATURAL)

Drop-In Wash Basin 103 CM



103 CM
PREOC10347102A

Drain Included



25.0 Kg.

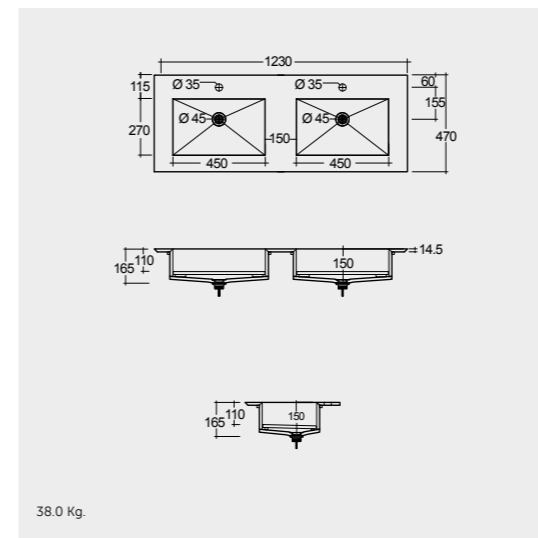
- 100 CARRARA (LAPPATO)
- 101 MACAUBAS (NATURAL)
- 102 TRAVERTINO IVORY (LAPPATO)
- 103 SURFACE XL COOL GREY (NATURAL)
- 104 BEHIND GREY (NATURAL)
- 105 UNI DARK BLACK (NATURAL)

Drop-In Wash Basin 123 CM



123 CM
PREOC12347102A

Drain Included (2)



38.0 Kg.

- 100 CARRARA (LAPPATO)
- 101 MACAUBAS (NATURAL)
- 102 TRAVERTINO IVORY (LAPPATO)
- 103 SURFACE XL COOL GREY (NATURAL)
- 104 BEHIND GREY (NATURAL)
- 105 UNI DARK BLACK (NATURAL)

RAK-PRECIOUS + RAK-JOY

RAK Precious drop in washbasins and countertop solutions can be combined with your favorite RAK-Joy bathroom vanity. RAK-Joy vanities are available in 4 different finishes, perfectly compatible with RAK-Precious colors and finishes.

I lavabi da incasso RAK-Precious ed i piani d'appoggio possono essere combinati al tuo mobile bagno RAK-Joy preferito. La gamma RAK-Joy e' disponibile in 4 diverse finiture, perfettamente compatibili con colori e finiture RAK-Precious.

Les lavabos à encastrer de RAK-Precious et les plans de toilette peuvent être combinés avec votre meuble de salle de bains préféré de RAK-Joy. La gamme RAK-Joy est disponible en 4 finitures différentes, parfaitement compatibles avec les couleurs et les finitures de RAK-Precious.

Die Einbauwaschbecken von RAK-Precious sowie die Auflageflächen können mit Ihrem bevorzugten Badezimmermöbelstück kombiniert werden. Die gesamte Bandbreite von RAK-Joy ist in 4 verschiedenen Oberflächen verfügbar, die mit den Farben und Oberflächen von RAK-Precious bestens kompatibel sind.

Встраиваемые И Монтирующиеся На Столешницу Раковины От RAK-Precious Можно Комбинировать С Наиболее Понравившейся Тумбой Из Коллекции RAK-Joy. На Выбор Предлагается 4 Различных Отделки Тумб RAK-Joy, Которые Идеально Сочетаются С Цветовой Гаммой И Отделочными Материалами Компании RAK-Precious.

PURE WHITE
(LAMILAK)

URBAN GREY
(LAMILAK)

SCANDINAVIAN OAK
(TECHWOOD)

GREY ELM
(TECHWOOD)

MOKA WALNUT
(TECHWOOD)

MATT GREY (only for Open Storage Units)
(LAMILAK)

FOR MORE DETAILS PLEASE GO TO PAGE: 272 (RAK-JOY)

Note | Nota | Remarque | Hinweis | Примечание

All dimensions in mm tolerance $\pm 5\%$ for below 200mm and $\pm 3\%$ for above 200mm | Tutte le dimensioni hanno una tolleranza di $\pm 5\%$ mm al di sotto dei 200mm e di $\pm 3\%$ mm al disopra dei 200mm | Toutes les dimensions en mm tolérance $\pm 5\%$ pour moins de 200mm et $\pm 3\%$ pour plus de 200mm/ Alle Abmessungen in mm, Toleranz $\pm 5\%$ für unter 200mm, und $\pm 3\%$ für über 200mm | Все размеры указаны в мм, погрешность $\pm 5\%$ ниже 200 мм и $\pm 3\%$ выше 200 мм

RAK-PRECIOUS SURFACES CUT TYPE A

Counter Top Slab 63 CM + Bowl



63 CM
PRESL06347102A

Counter Top Slab 83 CM + Bowl



83 CM
PRESL08347102A

Counter Top Slab 103 CM + Bowl

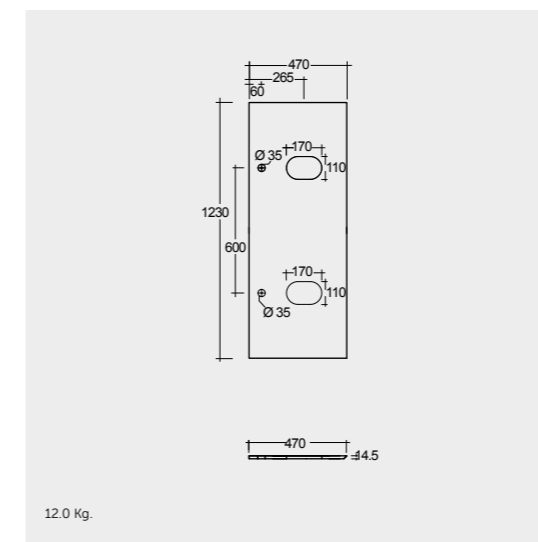
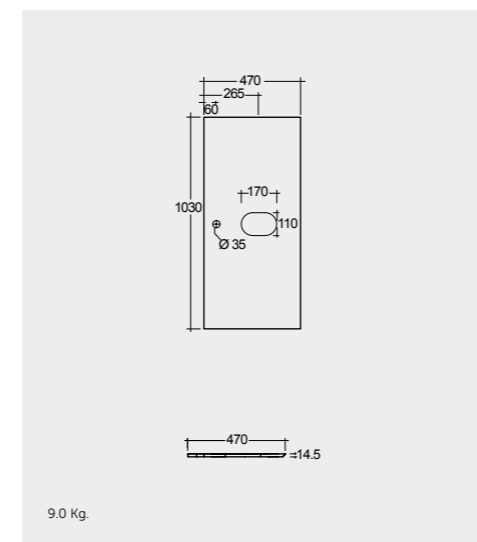
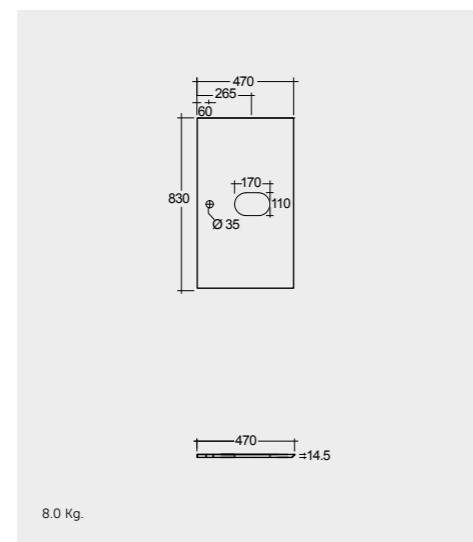
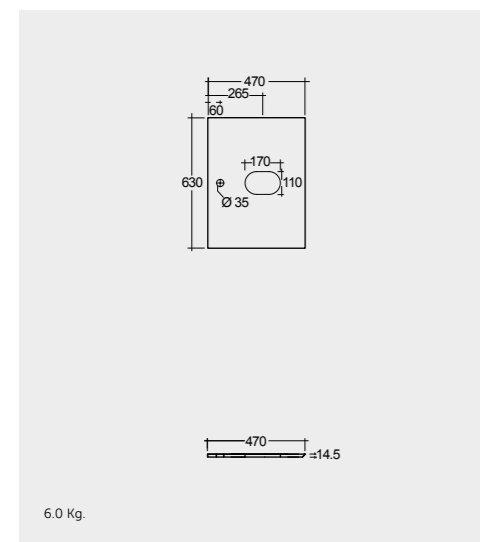


103 CM
PRESL10347102A

Counter Top Slab 123 CM + Bowl



123 CM
PRESL12347102A



- 100 CARRARA (LAPPATO)
- 101 MACAUBAS (NATURAL)
- 102 TRAVERTINO IVORY (LAPPATO)
- 103 SURFACE XL COOL GREY (NATURAL)
- 104 BEHIND GREY (NATURAL)
- 105 UNI DARK BLACK (NATURAL)

- 100 CARRARA (LAPPATO)
- 101 MACAUBAS (NATURAL)
- 102 TRAVERTINO IVORY (LAPPATO)
- 103 SURFACE XL COOL GREY (NATURAL)
- 104 BEHIND GREY (NATURAL)
- 105 UNI DARK BLACK (NATURAL)

- 100 CARRARA (LAPPATO)
- 101 MACAUBAS (NATURAL)
- 102 TRAVERTINO IVORY (LAPPATO)
- 103 SURFACE XL COOL GREY (NATURAL)
- 104 BEHIND GREY (NATURAL)
- 105 UNI DARK BLACK (NATURAL)

- 100 CARRARA (LAPPATO)
- 101 MACAUBAS (NATURAL)
- 102 TRAVERTINO IVORY (LAPPATO)
- 103 SURFACE XL COOL GREY (NATURAL)
- 104 BEHIND GREY (NATURAL)
- 105 UNI DARK BLACK (NATURAL)

Note | Nota | Remarque | Hinweis | Примечание

All dimensions in mm tolerance $\pm 5\%$ for below 200mm and $\pm 3\%$ for above 200mm | Tutte le dimensioni hanno una tolleranza di $\pm 5\%$ mm al di sotto dei 200mm e di $\pm 3\%$ mm al di sopra dei 200mm | Toutes les dimensions en mm tolérance $\pm 5\%$ pour moins de 200mm et $\pm 3\%$ pour plus de 200mm/ Alle Abmessungen in mm, Toleranz $\pm 5\%$ für unter 200mm, und $\pm 3\%$ für über 200mm | Все размеры указаны в мм, погрешность $\pm 5\%$ ниже 200 мм и $\pm 3\%$ выше 200 мм

Counter top wash basin suitable for RAK-Precious Counter top solution.

Lavabi d' appoggio disponibili per RAK-Precious
Vasque à poser disponible pour RAK-Precious
Aufsatzwaschbecken verfügbar für RAK-Precious
Накладная Раковина Доступна Для Настольного Решения Rak-Precious.



58 CM
CLOCT6000AWHA
AWH



58 CM
CLOCT6000500A
500 Matt Finish



70 CM
DESC7000AWHA



60 CM
SENCT6000AWHA



55 CM
FEECT5500AWHA
AWH 500 505
514 503 504



50 CM
FEECT5000AWHA
AWH 500 505
514 503 504



60 CM
ILLCT6000AWHA



36X36 CM
VARCT13600AWHA



50X36 CM
VARCT25000AWHA



60X36 CM
VARCT36000AWHA



36X36 CM
VARCT43600AWHA



55X36 CM
VARCT55500AWHA

RAK-PRECIOUS SURFACES CUT TYPE A

Counter Top Slab 163 CM + Bowl



163 CM
PRESL16347102A

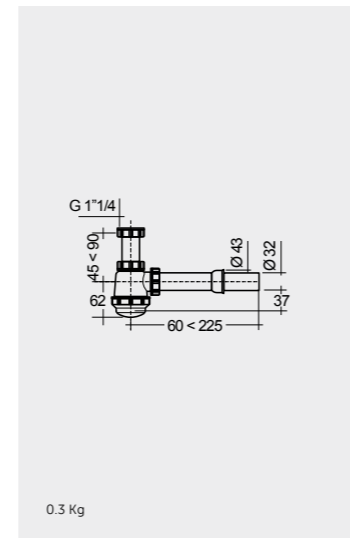
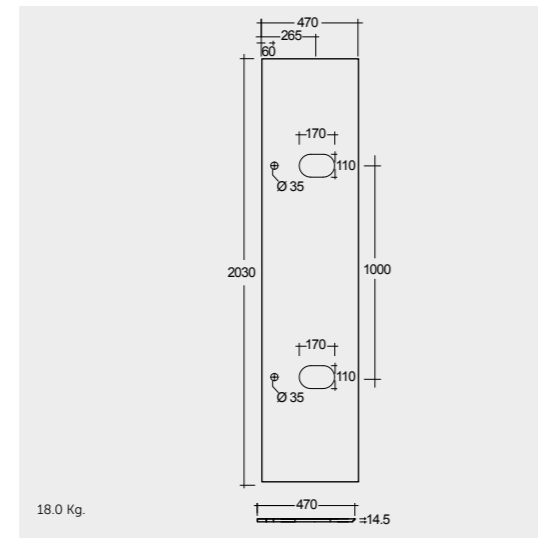
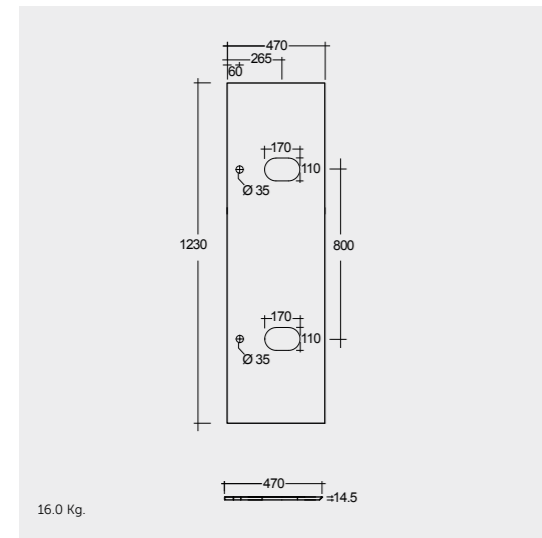
Counter Top Slab 203 CM + Bowl



203 CM
PRESL20347102A



FOR VANITY
PP WHITE : BTRWBPPR021
Inspectionable Compact Height



- 100 CARRARA (LAPPATO)
- 101 MACAUBAS (NATURAL)
- 102 TRAVERTINO IVORY (LAPPATO)
- 103 SURFACE XL COOL GREY (NATURAL)
- 104 BEHIND GREY (NATURAL)
- 105 UNI DARK BLACK (NATURAL)

- 100 CARRARA (LAPPATO)
- 101 MACAUBAS (NATURAL)
- 102 TRAVERTINO IVORY (LAPPATO)
- 103 SURFACE XL COOL GREY (NATURAL)
- 104 BEHIND GREY (NATURAL)
- 105 UNI DARK BLACK (NATURAL)

Note | Nota | Remarque | Hinweis | Примечание

All dimensions in mm tolerance $\pm 5\%$ for below 200mm and $\pm 3\%$ for above 200mm | Tutte le dimensioni hanno una tolleranza di $\pm 5\%$ mm al di sotto dei 200mm e di $\pm 3\%$ mm al di sopra dei 200mm | Toutes les dimensions en mm tolérance $\pm 5\%$ pour moins de 200mm et $\pm 3\%$ pour plus de 200mm/ Alle Abmessungen in mm, Toleranz $\pm 5\%$ für unter 200mm, und $\pm 3\%$ für über 200mm | Все размеры указаны в мм, погрешность $\pm 5\%$ ниже 200 мм и $\pm 3\%$ выше 200 мм



55 CM HAR01AWHA | 163 CM PRESL16347105A | 105 UNI DARK BLACK (NATURAL) | 160cm = 2x W 80CM Units JOYWH080SOK x2

RAK-PRECIOUS SURFACES CUT TYPE C

Counter Top Slab 63 CM + Bowl



63 CM
PRESL06347102C

Counter Top Slab 83 CM + Bowl



83 CM
PRESL08347102C

Counter Top Slab 103 CM + Bowl

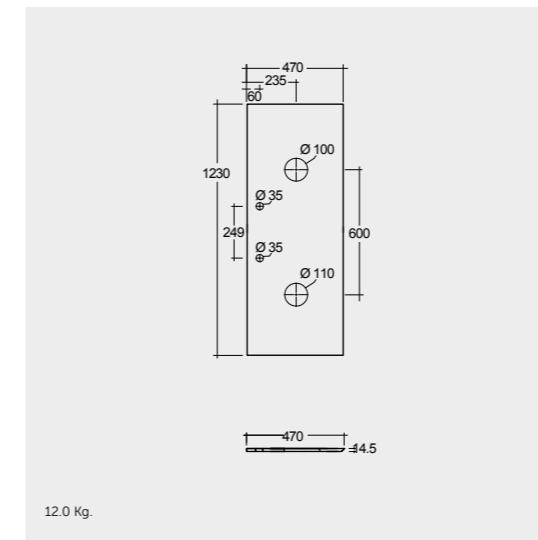
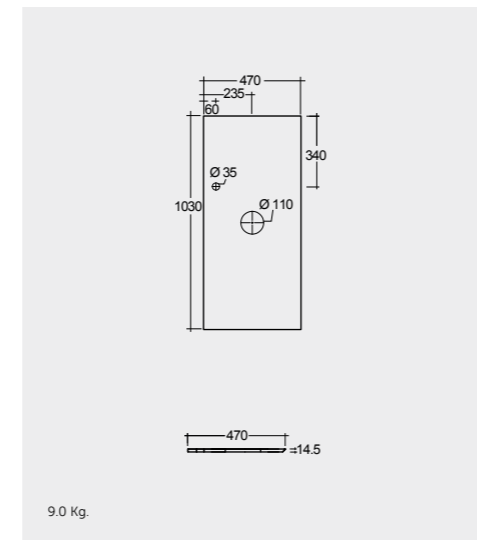
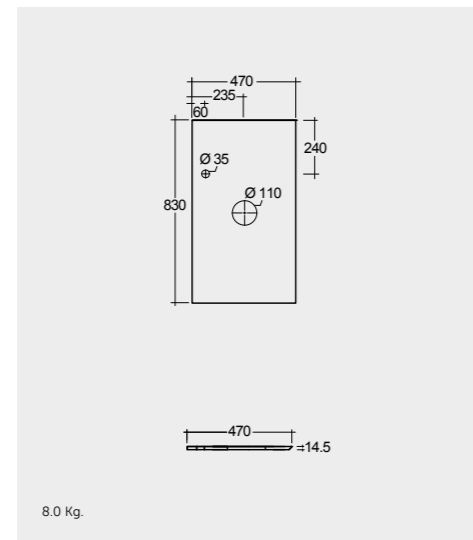
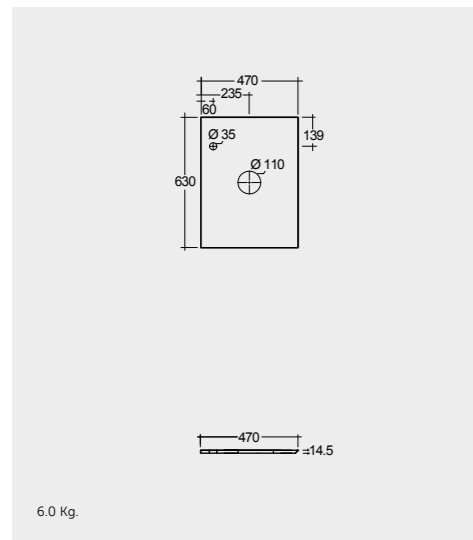


103 CM
PRESL10347102C

Counter Top Slab 123 CM + Bowl



123 CM
PRESL12347102C



- 100 CARRARA (LAPPATO)
- 101 MACAUBAS (NATURAL)
- 102 TRAVERTINO IVORY (LAPPATO)
- 103 SURFACE XL COOL GREY (NATURAL)
- 104 BEHIND GREY (NATURAL)
- 105 UNI DARK BLACK (NATURAL)

- 100 CARRARA (LAPPATO)
- 101 MACAUBAS (NATURAL)
- 102 TRAVERTINO IVORY (LAPPATO)
- 103 SURFACE XL COOL GREY (NATURAL)
- 104 BEHIND GREY (NATURAL)
- 105 UNI DARK BLACK (NATURAL)

- 100 CARRARA (LAPPATO)
- 101 MACAUBAS (NATURAL)
- 102 TRAVERTINO IVORY (LAPPATO)
- 103 SURFACE XL COOL GREY (NATURAL)
- 104 BEHIND GREY (NATURAL)
- 105 UNI DARK BLACK (NATURAL)

- 100 CARRARA (LAPPATO)
- 101 MACAUBAS (NATURAL)
- 102 TRAVERTINO IVORY (LAPPATO)
- 103 SURFACE XL COOL GREY (NATURAL)
- 104 BEHIND GREY (NATURAL)
- 105 UNI DARK BLACK (NATURAL)

Note | Nota | Remarque | Hinweis | Примечание

All dimensions in mm tolerance $\pm 5\%$ for below 200mm and $\pm 3\%$ for above 200mm | Tutte le dimensioni hanno una tolleranza di $\pm 5\%$ mm al di sotto dei 200mm e di $\pm 3\%$ mm al di sopra dei 200mm | Toutes les dimensions en mm tolérance $\pm 5\%$ pour moins de 200mm et $\pm 3\%$ pour plus de 200mm/ Alle Abmessungen in mm, Toleranz $\pm 5\%$ für unter 200mm, und $\pm 3\%$ für über 200mm | Все размеры указаны в мм, погрешность $\pm 5\%$ ниже 200 мм и $\pm 3\%$ выше 200 мм

Counter top wash basin suitable for RAK-Precious Counter top solution.

Lavabi d'appoggio disponibili per RAK-Precious
Vasque à poser disponible pour RAK-Precious
Aufsatzwaschbecken verfügbar für RAK-Precious
Накладная Раковина Доступна Для Настольного Решения Rak-Precious.



42 CM
FEECT4200AWHA



38 CM
LADA00001

Round



45 CM
LADI00001



39 CM
LARE00001

RAK-PRECIOUS SURFACES CUT TYPE C

Counter Top Slab 163 CM + Bowl



163 CM
PRESL16347102C

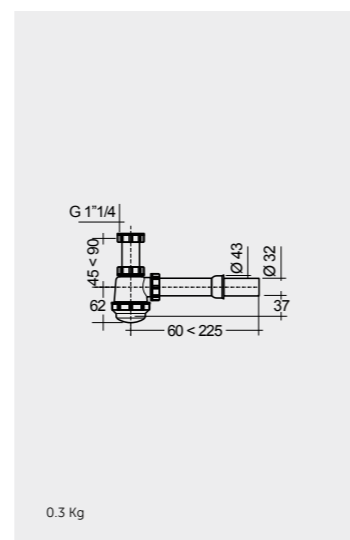
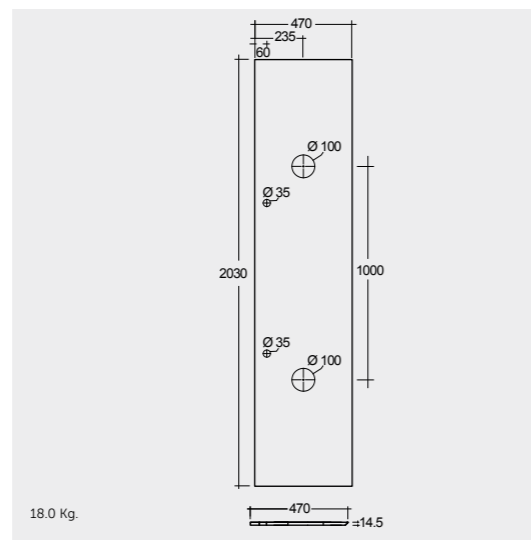
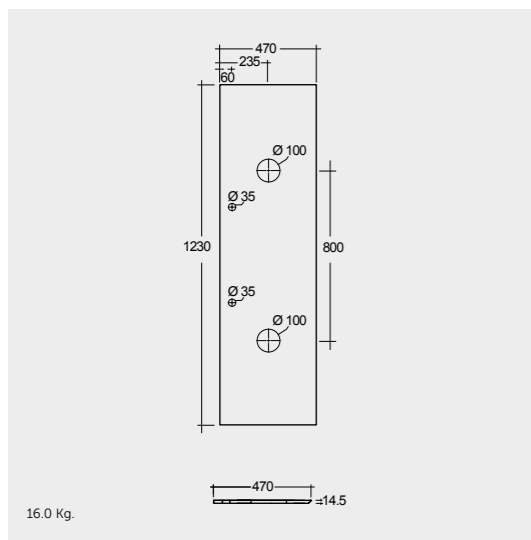
Counter Top Slab 203 CM + Bowl



203 CM
PRESL20347102C



FOR VANITY
PP WHITE : BTRWBPPR021
Inspectionable Compact Height



- 100 CARRARA (LAPPATO)
- 101 MACAUBAS (NATURAL)
- 102 TRAVERTINO IVORY (LAPPATO)
- 103 SURFACE XL COOL GREY (NATURAL)
- 104 BEHIND GREY (NATURAL)
- 105 UNI DARK BLACK (NATURAL)

- 100 CARRARA (LAPPATO)
- 101 MACAUBAS (NATURAL)
- 102 TRAVERTINO IVORY (LAPPATO)
- 103 SURFACE XL COOL GREY (NATURAL)
- 104 BEHIND GREY (NATURAL)
- 105 UNI DARK BLACK (NATURAL)

Note | Nota | Remarque | Hinweis | Примечание

All dimensions in mm tolerance $\pm 5\%$ for below 200mm and $\pm 3\%$ for above 200mm | Tutte le dimensioni hanno una tolleranza di $\pm 5\%$ mm al di sotto dei 200mm e di $\pm 3\%$ mm al di sopra dei 200mm | Toutes les dimensions en mm tolérance $\pm 5\%$ pour moins de 200mm et $\pm 3\%$ pour plus de 200mm/ Alle Abmessungen in mm, Toleranz $\pm 5\%$ für unter 200mm, und $\pm 3\%$ für über 200mm | Все размеры указаны в мм, погрешность $\pm 5\%$ ниже 200 мм и $\pm 3\%$ выше 200 мм



42 CM
HAR106AWHA

203 CM
PRESL20347102C

100
CARRARA (LAPPATO)

160cm = 2x W 100CM Units
JOYWH100SOK x2

2x W 100CM
JOYMR10068STD

RAK-PETIT

RAK-Petit is the second chapter of the successful collaboration with Maurizio Scutellà. A transversal collection of small washbasins designed for architects and interior designers who address the theme of small spaces: with minimal shapes and small dimensions, **RAK-Petit** is perfect for small but special bathrooms and for furnishing elegant public spaces. freestanding washbasins for representative or public bathrooms.

RAK-Petit è il secondo capitolo della fortunata collaborazione con Maurizio Scutellà. Una collezione trasversale di lavamani dalle piccole dimensioni pensata per le esigenze progettuali di architetti ed interior designers che affrontano il tema degli spazi ridotti: forme volutamente minimaliste, dimensioni ridotte per bagni piccoli ma speciali e per arredare eleganti spazi pubblici.

RAK-Petit est le second chapitre de la coopération fortunée avec Maurizio Scutella. Une collection transversale de lave-mains de petites dimensions, pour les exigences de projets d'architectes et de designers d'intérieur qui affrontent le thème d'espaces réduits: formes délibérément minimalistes, dimensions réduites pour les salles de bains petites mais spéciales ainsi que pour aménager des espaces publics élégants.

RAK-Petit ist das zweite Kapitel der gelungenen Zusammenarbeit mit Maurizio Scutella. Eine transversale Kollektion von kleinen Waschbecken für die Bedürfnisse von Architektur- und Innendesignprojekten, die sich mit der Thematik kleiner Räume befassen: gewollt minimalistische Formen, kleine Größen für kleine aber spezielle Bäder, sowie für die Einrichtung eleganter öffentlicher Räume.

RAK-Petit - вторая часть успешного сотрудничества с Мауритцио Скутеллой. Широкая линейка коллекции небольших умывальников предназначена для архитекторов и дизайнеров интерьера, которые занимаются темой небольших пространств: с минимальными формами и небольшими размерами. RAK-Petit идеально подходит как для небольших гостевых ванных комнат, так и для создания элегантных общественных пространств.

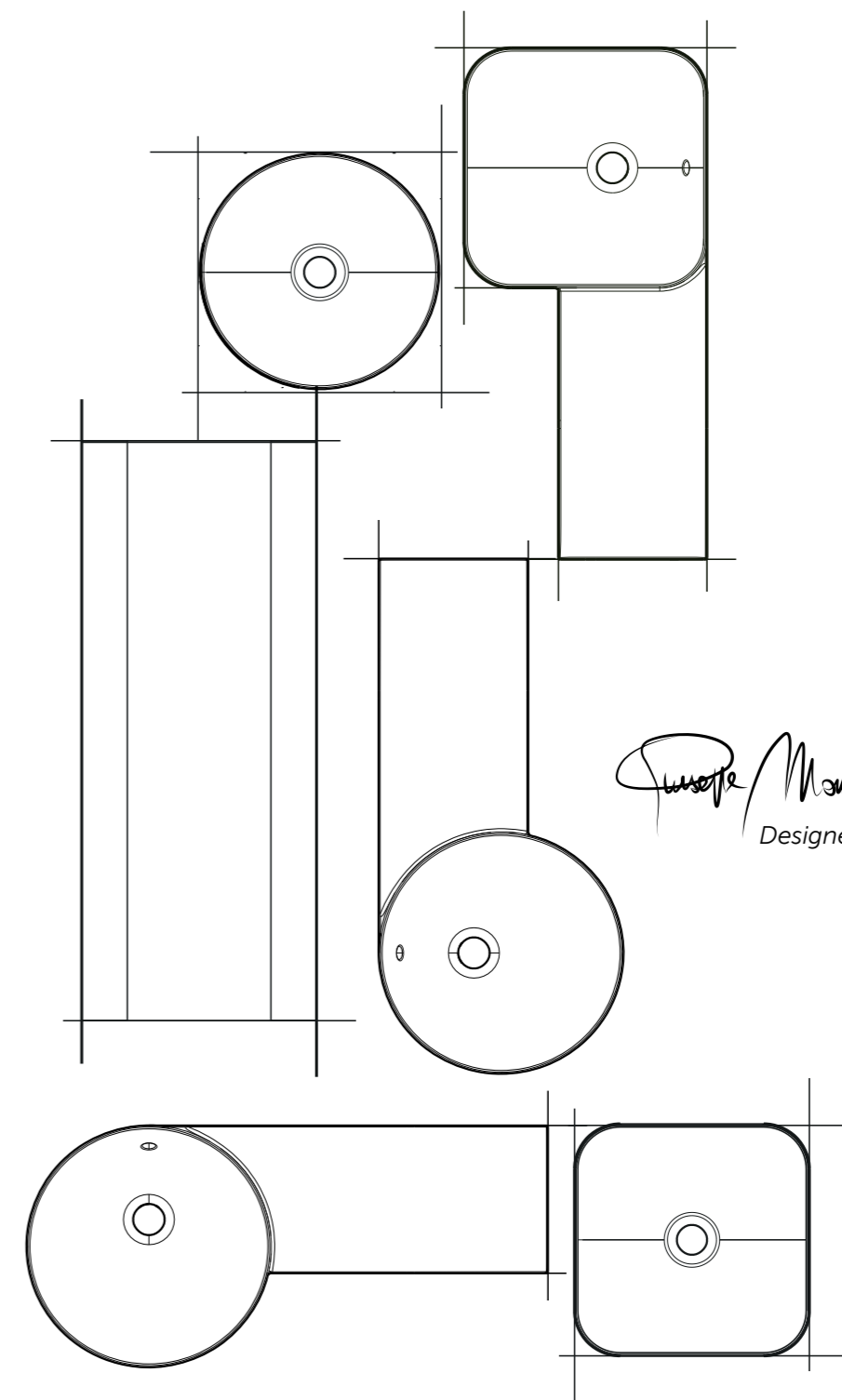


36 CM
PETFS13600AWHA


Design Giuseppe Maurizio Scutellà

Giuseppe Maurizio Scutellà was born in Alcamo, Sicily. His collaboration with RAK Ceramics begins with RAK-Cloud (2018), a project that continues the creative thinking of the Italian designer and that integrates perfectly with his other projects such as the collection of lamps "Pirce" by Artemide (Good_Design 2008, Red Dot Award 2009, IF Design Award 2010) and the "Metropolis" collection of crystal and ceramic tables by Tonelli Design. RAK-Petit is the second concept developed together with RAK Ceramics (2019).

"I like to talk with the soul of all my projects, discover its history and capturing the most hidden hues of its character, respecting its nature and embracing its languages. It is my way of approaching its magical essence and becoming its interpreter".





 36 CM
PETFS13600AWHA



 W 40 x D 3 x H 68CM
JOYMR04068STD  77 CM Right Ledge
PETWB47701AWHA

RAK-PETIT

Models | Modelli | Modèles | Modelle | Модели



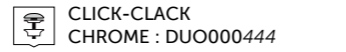
36 CM
PETFS13600AWHA



36 CM
PETFS23600AWHA



FREE-FLOW
CHROME : DUO002444



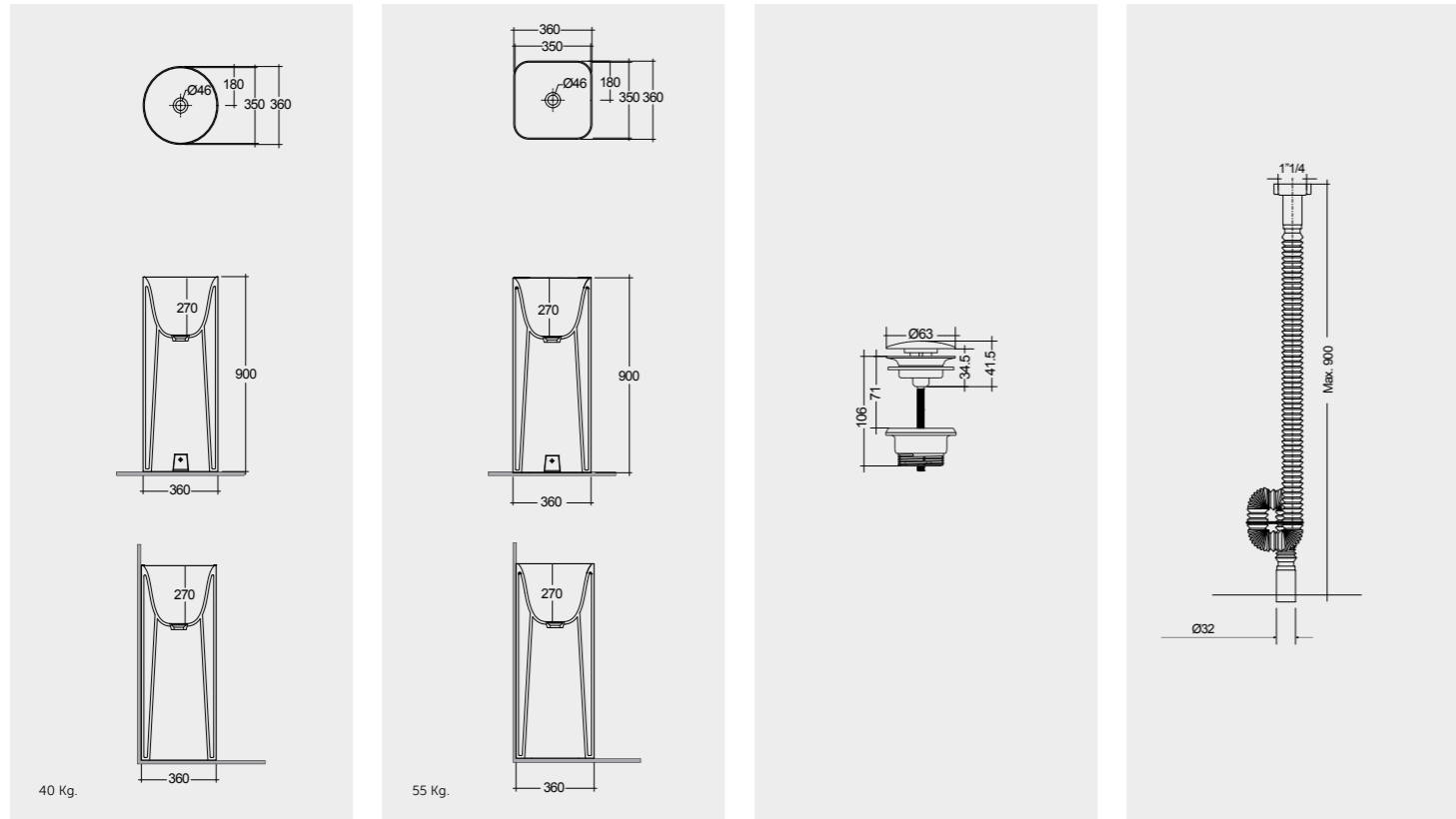
CLICK-CLACK
CHROME : DUO000444



FOR FLOOR OUTLET WASH BASIN
PP WHITE : BTRFSPPR001

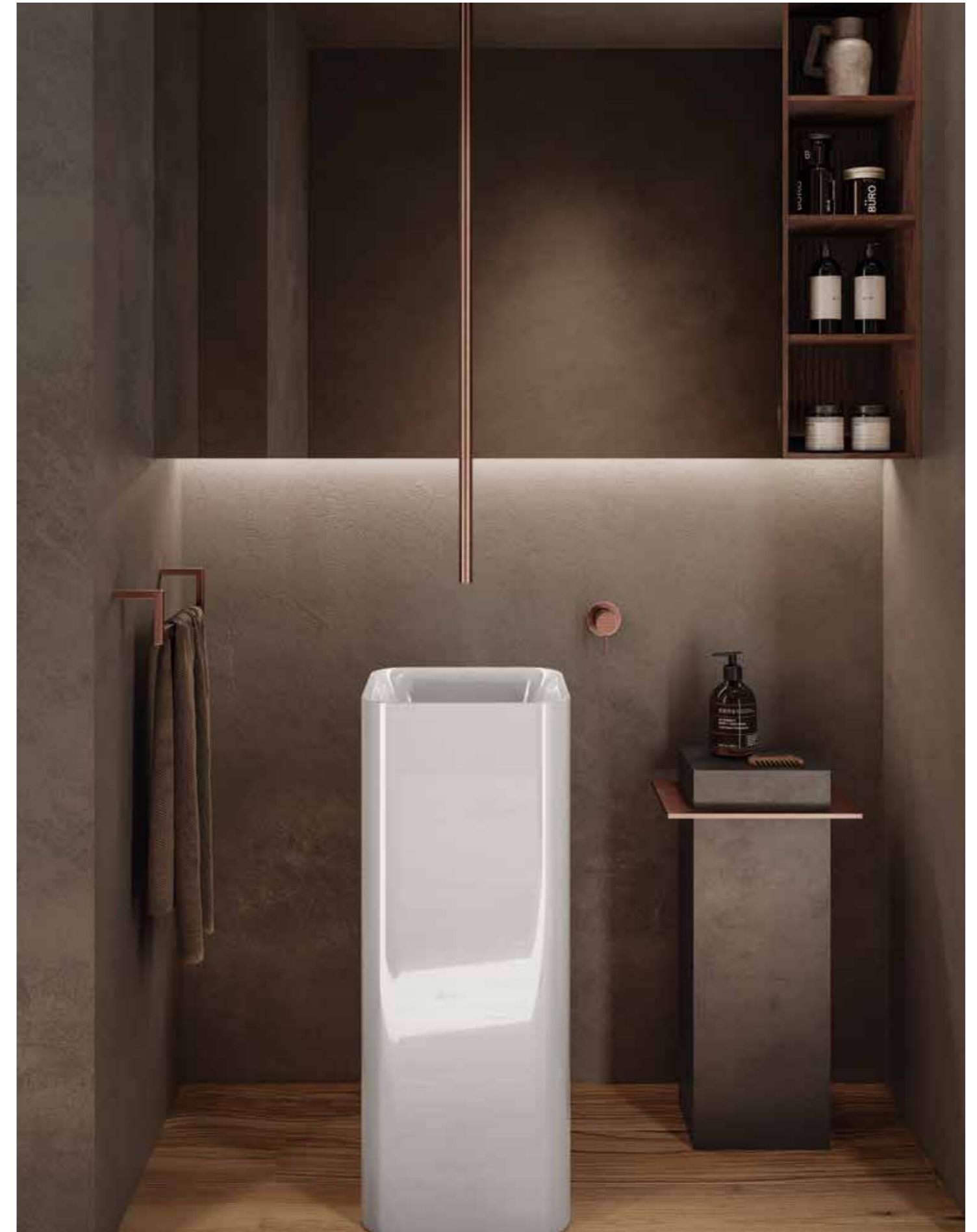
With Siphon Clip Holder

Measurements | Misure | Dimensions | Abmessungen | Размеры



Note | Nota | Remarque | Hinweis | Примечание

All dimensions in mm tolerance $\pm 5\%$ for below 200mm and $\pm 3\%$ for above 200mm | Tutte le dimensioni hanno una tolleranza di $\pm 5\%$ mm al di sotto dei 200mm e di $\pm 3\%$ mm al di sopra dei 200mm | Toutes les dimensions en mm tolérance $\pm 5\%$ pour moins de 200mm et $\pm 3\%$ pour plus de 200mm/ Alle Abmessungen in mm, Toleranz $\pm 5\%$ für unter 200mm, und $\pm 3\%$ für über 200mm | Все размеры указаны в мм, погрешность $\pm 5\%$ ниже 200 мм и $\pm 3\%$ выше 200 мм



36 CM
PETFS13600AWHA

Models | Modelli | Modèles | Modelle | Модели



77 CM Right Ledge
PETWB27701AWHA



77 CM Right Ledge
PETWB27700AWHA



77 CM Left Ledge
PETWB17701AWHA

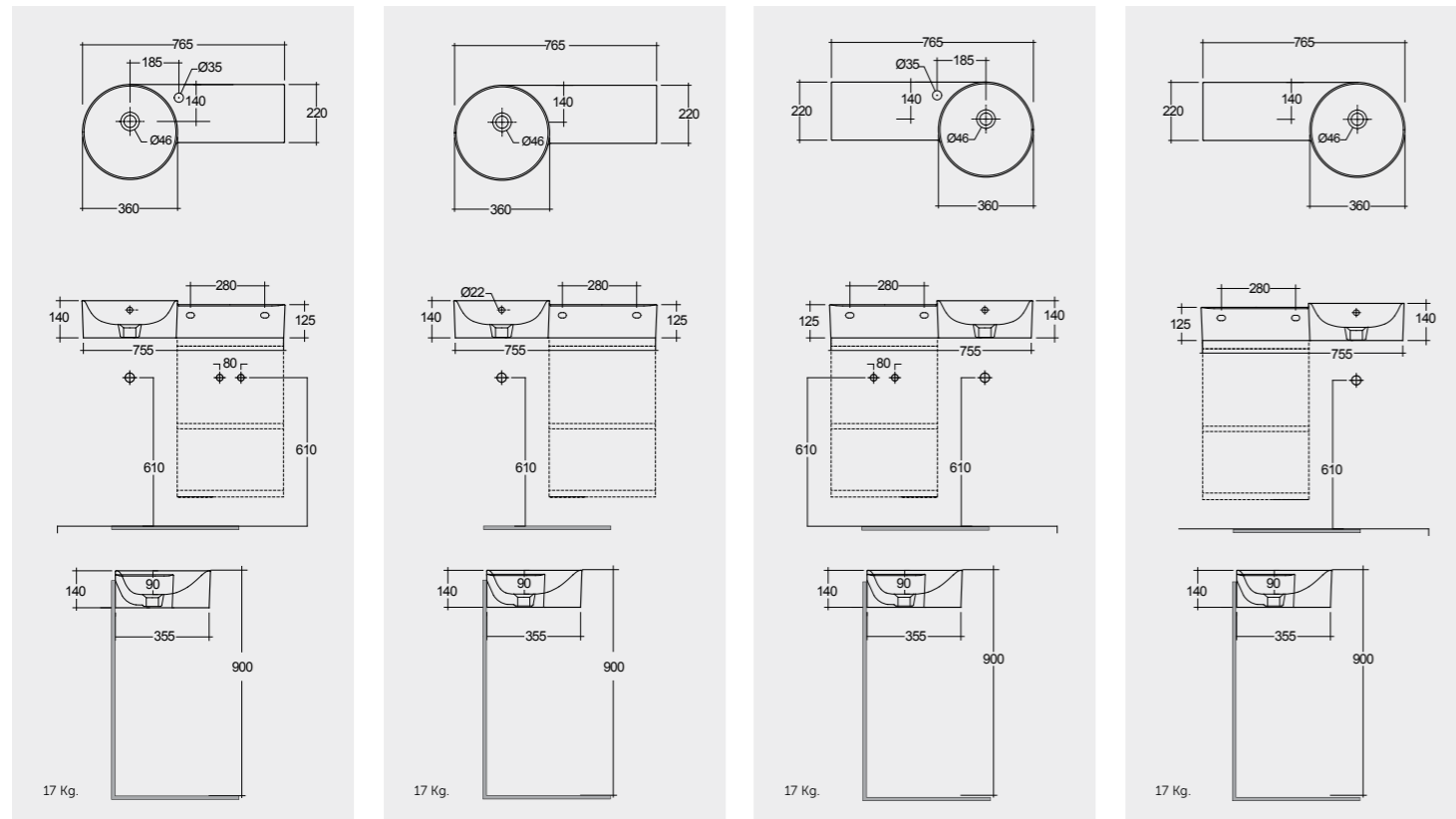


77 CM Left Ledge
PETWB17700AWHA

No Faucet Hole

No Faucet Hole

Measurements | Misure | Dimensions | Abmessungen | Размеры



Note | Nota | Remarque | Hinweis | Примечание

All dimensions in mm tolerance $\pm 5\%$ for below 200mm and $\pm 3\%$ for above 200mm | Tutte le dimensioni hanno una tolleranza di $\pm 5\%$ mm al di sotto dei 200mm e di $\pm 3\%$ mm al di sopra dei 200mm | Toutes les dimensions en mm tolérance $\pm 5\%$ pour moins de 200mm et $\pm 3\%$ pour plus de 200mm/ Alle Abmessungen in mm, Toleranz $\pm 5\%$ für unter 200mm, und $\pm 3\%$ für über 200mm | Все размеры указаны в мм, погрешность $\pm 5\%$ ниже 200 мм и $\pm 3\%$ выше 200 мм



JOYWH040PWH

JOYWH040UGY


JOYWH040SOK

JOYWH040EGY


JOYWH040MOK

Models | Modelli | Modèles | Modelle | Модели




 77 CM Right Ledge
PETWB47701AWHA




 77 CM Right Ledge
PETWB47700AWHA

No Faucet Hole



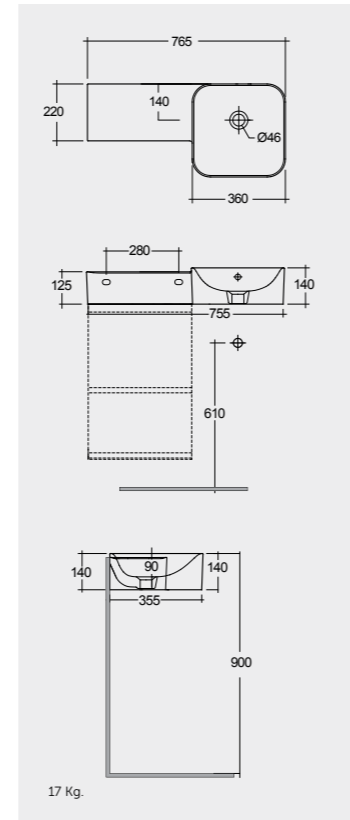
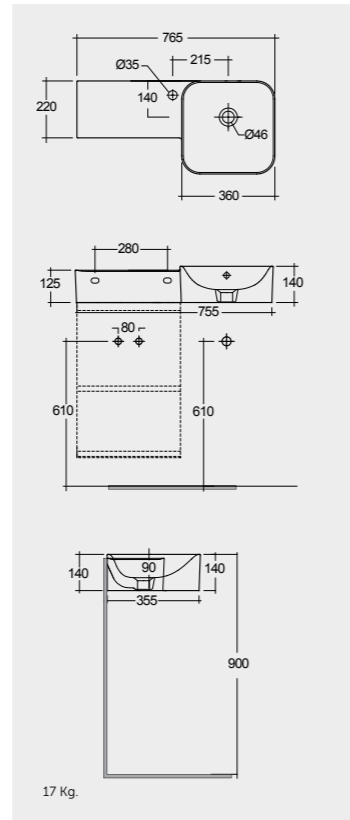
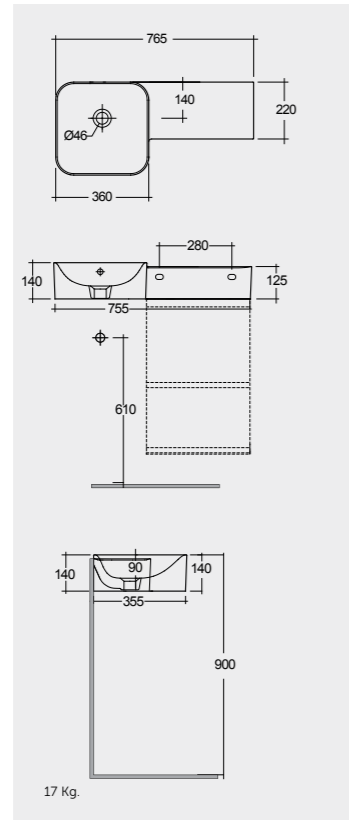
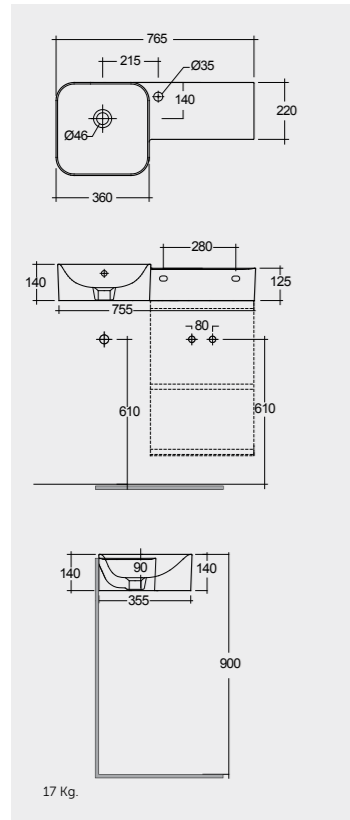
 77 CM Left Ledge
PETWB37701AWHA



 77 CM Left Ledge
PETWB37700AWHA

No Faucet Hole

Measurements | Misure | Dimensions | Abmessungen | Размеры



Note | Nota | Remarque | Hinweis | Примечание

All dimensions in mm tolerance $\pm 5\%$ for below 200mm and $\pm 3\%$ for above 200mm | Tutte le dimensioni hanno una tolleranza di $\pm 5\%$ mm al di sotto dei 200mm e di $\pm 3\%$ mm al disopra dei 200mm | Toutes les dimensions en mm tolérance $\pm 5\%$ pour moins de 200mm et $\pm 3\%$ pour plus de 200mm/ Alle Abmessungen in mm, Toleranz $\pm 5\%$ für unter 200mm, und $\pm 3\%$ für über 200mm | Все размеры указаны в мм, погрешность $\pm 5\%$ ниже 200 мм и $\pm 3\%$ выше 200 мм



JOYWH040PWH

JOYWH040UGY

JOYWH040SOK

JOYWH040EGY

JOYWH040MOK

Modets | Modelli | Modèles | Modelle | Модели



W 40 x D 22 x H 60CM
JOYWH040UGY



FREE-FLOW
CHROME : DUO002444

CLICK-CLACK
CHROME : DUO000444

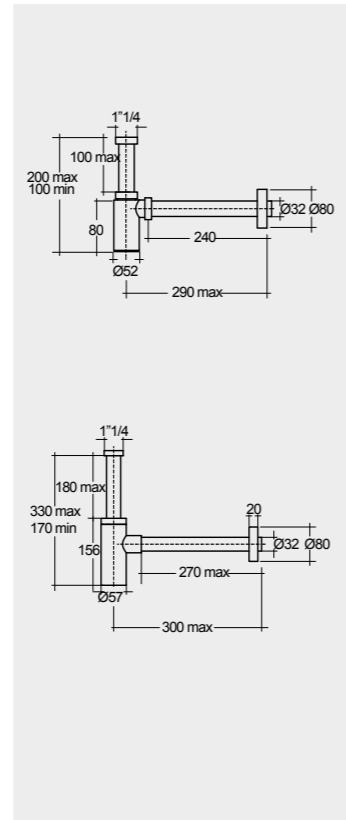
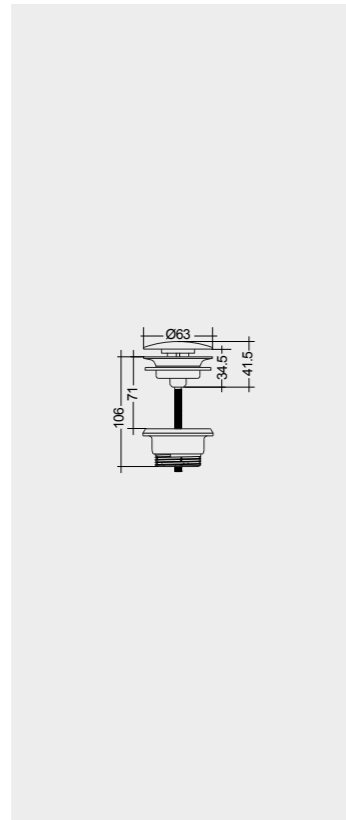
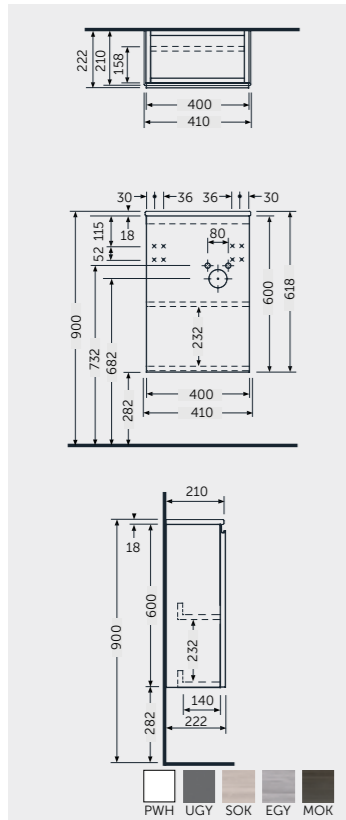


FOR WASH BASIN
ABS CHROME : BTRWBABS002

FOR WASH BASIN
INOX CHROME : BTRWBSST001

Inspectionable

Measurements | Misure | Dimensions | Abmessungen | Размеры



Note | Nota | Remarque | Hinweis | Примечание

All dimensions in mm tolerance $\pm 5\%$ for below 200mm and $\pm 3\%$ for above 200mm | Tutte le dimensioni hanno una tolleranza di $\pm 5\%$ mm al di sotto dei 200mm e di $\pm 3\%$ mm al di sopra dei 200mm | Toutes les dimensions en mm tolérance $\pm 5\%$ pour moins de 200mm et $\pm 3\%$ pour plus de 200mm/ Alle Abmessungen in mm, Toleranz $\pm 5\%$ für unter 200mm, und $\pm 3\%$ für über 200mm | Все размеры указаны в мм, погрешность $\pm 5\%$ ниже 200 мм и $\pm 3\%$ выше 200 мм



W 80 x D 3 x H 68CM
JOYMR08068LED

77 CM Left Ledge
PETWB37701AWHA

W 40 x D 22 x H 60CM
JOYWH040SOK



RAK-PETIT WITH RAK-JOY MIRRORS & LIGHTS



AVAILABLE MIRRORS SIZES:

W 40 x D 18 x H 68CM
JOYMC04002

W 60 x D 18 x H 68CM
JOYMC06002

W 80 x D 18 x H 68CM
JOYMC08002

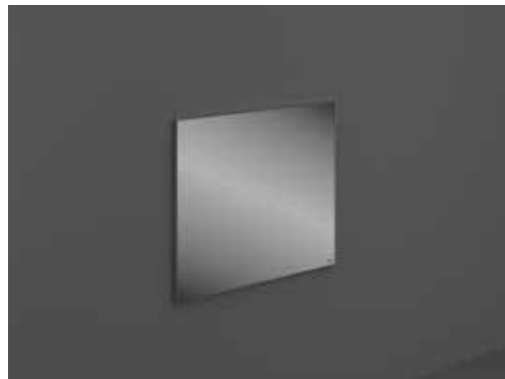
W 100 x D 18 x H 68CM
JOYMC10003

120CM = 2x W 60 x D 18 x H 68CM Units
JOYMC06002 x2



BRASS: JOYTB6000CR
ABS: JOYTB6000CR1

Cool White 6000K
450 Lumens



AVAILABLE MIRRORS SIZES:

W 40 x D 3 x H 68CM
JOYMR04068STD

W 60 x D 3 x H 68CM
JOYMR06068STD

W 80 x D 3 x H 68CM
JOYMR08068STD

W 100 x D 3 x H 68CM
JOYMR10068STD

W 120 x D 3 x H 68CM
JOYMR12068STD



BRASS: JOYTB6000CR
ABS: JOYTB6000CR1

Cool White 6000K
450 Lumens



AVAILABLE MIRRORS SIZES:

W 40 x D 3 x H 68CM
JOYMR04068LED

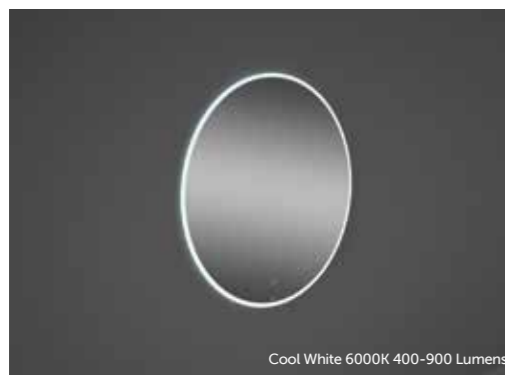
W 60 x D 3 x H 68CM
JOYMR06068LED

W 80 x D 3 x H 68CM
JOYMR08068LED

W 100 x D 3 x H 68CM
JOYMR10068LED

W 120 x D 3 x H 68CM
JOYMR12068LED

Cool White 6000K 400-900 Lumens



AVAILABLE MIRRORS SIZES:

W 60 x D 3 x H 60CM
JOYMR06000LED

W 80 x D 3 x H 80CM
JOYMR08000LED

W 100 x D 3 x H 100CM
JOYMR10000LED

Cool White 6000K 400-900 Lumens



W 100 x D 3 x H 100CM
JOYMR10000LED

36 CM
PETFS13600AWHA

RAK-VARIANT

Round, oval, square... what's the shape of your freedom? Feel free to design, free to explore new solutions for your bathroom project, free to imagine. Thanks to an innovative and modular system, **RAK-Variant** opens up limitless possibilities for customized solutions, featuring countertop, drop-in and under counter washbasins. Different shapes and different sizes with or without tap bank. Made from high-quality ceramic in 5mm thickness.

Rotondo, ovale, quadrato... qual e' la forma della tua liberta? Libero di progettare, di esplorare nuove soluzioni per il tuo progetto bagno, libero di immaginare. Grazie ad un innovativo sistema modulare, **RAK-Variant** offre infinite possibilita' di soluzioni personalizzate, con lavabi da appoggio, incasso o semi-incasso. Disponibile in un'ampia gamma di forme e dimensioni, con o senza piano per la rubinetteria. Realizzato in ceramica di alta qualita' con bordi sottili da 5mm,

Ronde, ovale, carrée...quelle est la forme de votre liberté? Libre de projeter, d'explorer de nouvelles solutions pour votre projet de salle de bains, libre d'imaginer. Grâce à un système modulaire innovateur, **RAK Variant** offre infiniment de possibilités de solutions personnalisées, avec des vasques à poser, des lavabos encastrés ou mi-encastrés. Disponible en une large gamme de formes et de dimensions, avec ou sans plan de robinetterie. Réalisé en céramique de haute qualité, avec des rebords fins de 5 mm,

Rund, oval, quadratisch...Welche ist die Form Ihrer Freiheit? Frei zu planen, neue Lösungen für Ihr Badprojekt zu erforschen, frei auszudenken. Dank eines innovativen Modulsystems, bietet **RAK Variant** unendlich viele Möglichkeiten an personalisierten Lösungen, mit Aufsatzwaschbecken, Einbauwaschbecken oder Halb-Einbauwaschbecken. Verfügbar in einer großen Auswahl an Formen und Größen, mit oder ohne Ablagefläche. Aus hoch qualitativer Keramik, mit feinen 5 mm dicken Rändern, garantiert

Круг, овал, квадрат... какова форма вашей свободы? Создавайте свой дизайн, ищите новые решения для ванной комнаты, дайте волю воображению! Благодаря инновационной модульной системе коллекция **RAK Variant** открывает безграничные возможности для индивидуальных решений. В коллекцию входят столешницы и раковины, накладные и встраиваемые под столешницу. Мы предлагаем разнообразие форм и размеров, варианты с отверстием под смеситель или без него. Коллекция RAK-Variant производится из высококачественной керамики толщиной 5 мм



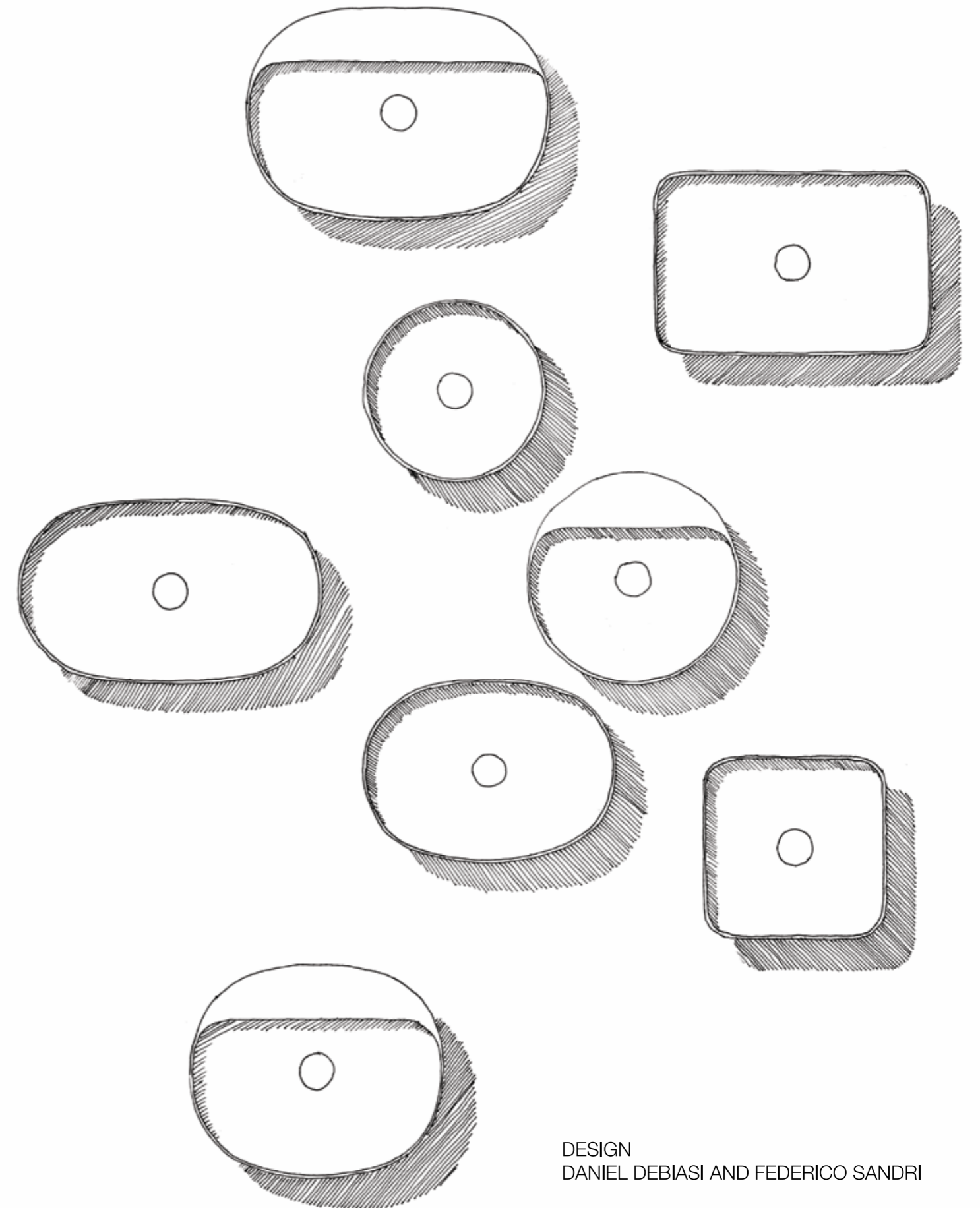
DANIEL DEBIASI AND FEDERICO SANDRI
Designer

Daniel Debiasi and Federico Sandri founded their own design studio in 2010 and work within various fields of design, ranging from objects to spaces. Multiple experiments and the relationship between manufacture and craftsmanship form the basis for a much broader thinking, where objects are always considered as part of a bigger picture. They have created work for Antoni Lupi, Lema, Ligne Roset, Normann Copenhagen, Offecct, Rosenthal, Stelton, Villeroy & Boch among others. Many of their projects have received international design awards and are featured in publications worldwide. In addition to their work as designers, they regularly teach, hold workshops and lectures at various institutions including IUAV Venezia and Politecnico di Milano. Together with Rak Ceramics, Daniel Debiasi and Federico Sandri present the project RAK-Variant (2019).



Daniel Debiasi

Federico Sandri



DESIGN
DANIEL DEBIASI AND FEDERICO SANDRI



Undercounter



Drop-in



Countertop



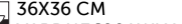
Drop-in with tap hole





Countertop with tap hole





 36X36 CM
 VARCT13600AWHA
  36X36 CM
 VARDI13600AWHA



 42X42 CM
 VARCT14201AWHA

RAK-VARIANT / ROUND

Models | Modelli | Modèles | Modelle | Модели



42X42 CM
VARCT14201AWHA



42X42 CM
VARDI14201AWHA

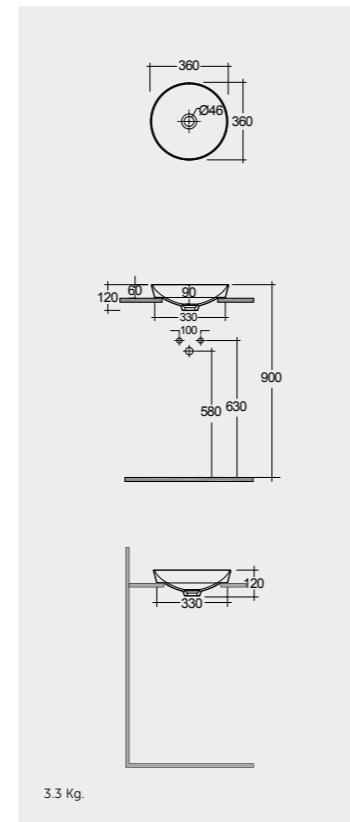
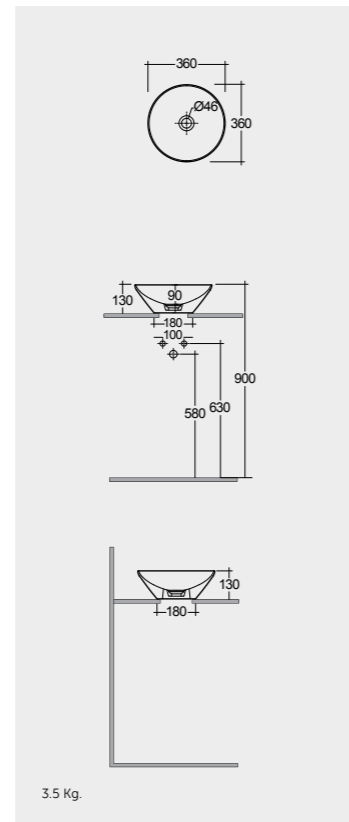
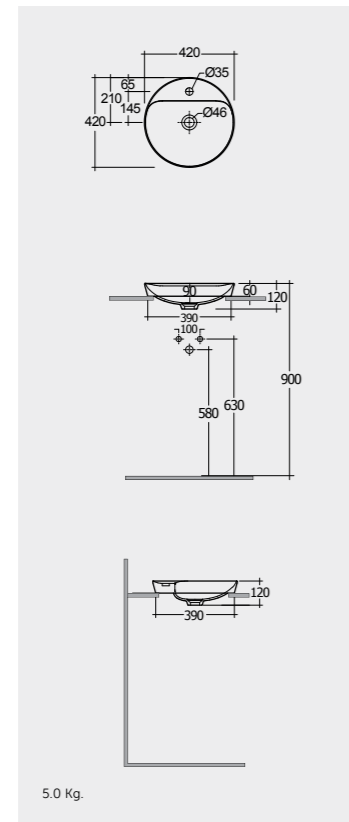
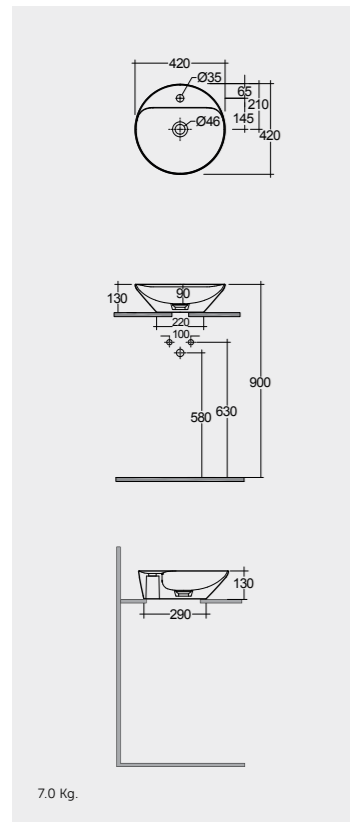


36X36 CM
VARCT13600AWHA



36X36 CM
VARDI13600AWHA

Measurements | Misure | Dimensions | Abmessungen | Размеры



Note | Nota | Remarque | Hinweis | Примечание

All dimensions in mm tolerance $\pm 5\%$ for below 200mm and $\pm 3\%$ for above 200mm | Tutte le dimensioni hanno una tolleranza di $\pm 5\%$ mm al di sotto dei 200mm e di $\pm 3\%$ mm al disopra dei 200mm | Toutes les dimensions en mm tolérance $\pm 5\%$ pour moins de 200mm et $\pm 3\%$ pour plus de 200mm/ Alle Abmessungen in mm, Toleranz $\pm 5\%$ für unter 200mm, und $\pm 3\%$ für über 200mm | Все размеры указаны в мм, погрешность $\pm 5\%$ ниже 200 мм и $\pm 3\%$ выше 200 мм

Models | Modelli | Modèles | Modelle | Модели



36X36 CM
VARUC13600AWHA



FREE-FLOW
CHROME : DUO002444

CLICK-CLACK
CHROME : DUO000444

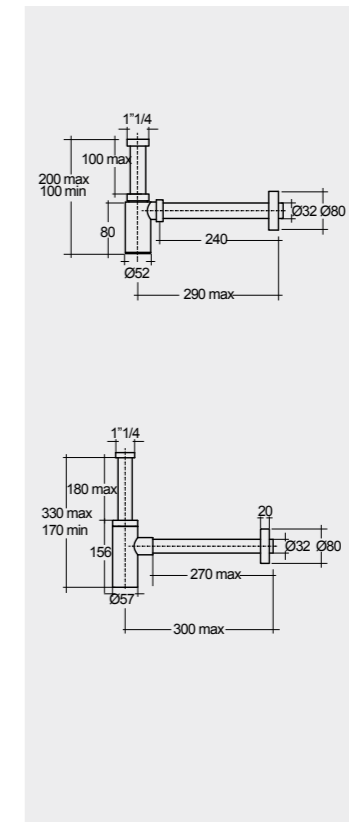
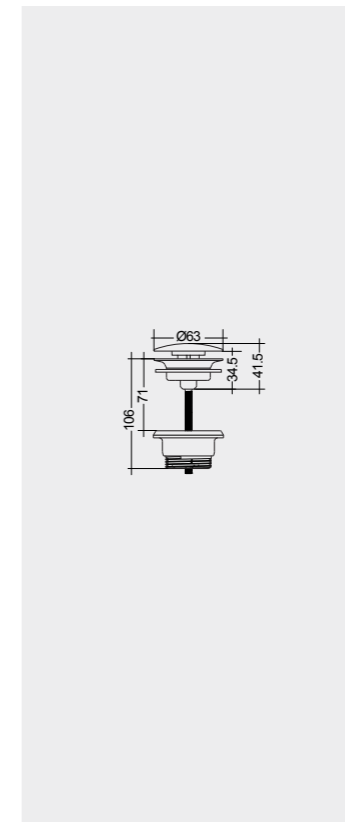
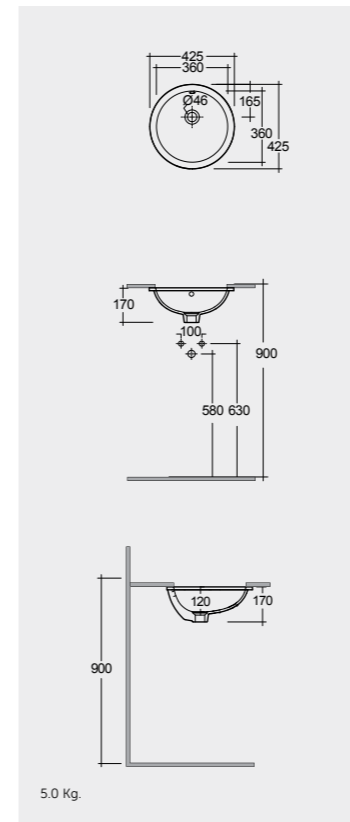


FOR WASH BASIN
ABS CHROME : BTRWBABS002

FOR WASH BASIN
INOX CHROME : BTRWBSST001

With Overflow

Measurements | Misure | Dimensions | Abmessungen | Размеры



Inspectionable

RAK-VARIANT / OVAL

Models | Modelli | Modèles | Modelle | Модели



50X42 CM
VARCT25001AWHA



50X42 CM
VARDI25001AWHA

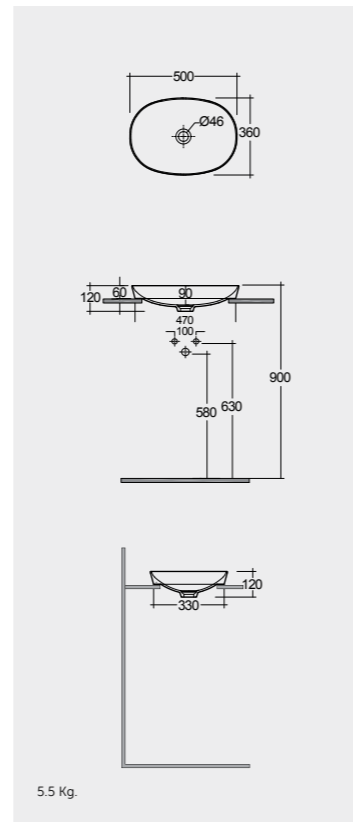
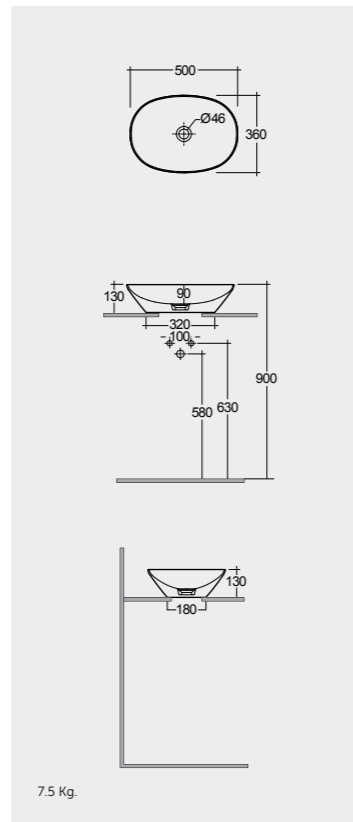
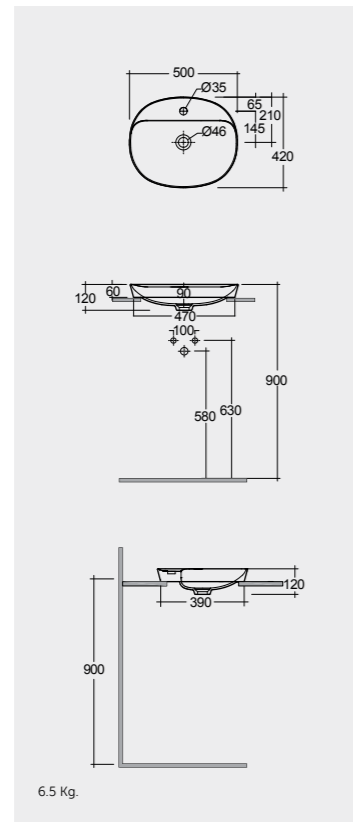
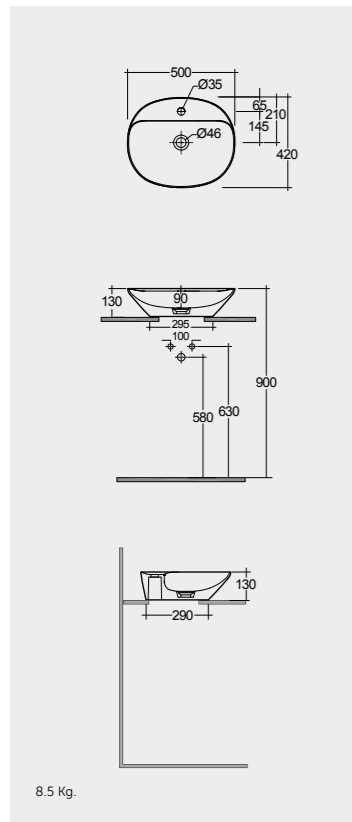


50X36 CM
VARCT25000AWHA



50X36 CM
VARDI25000AWHA

Measurements | Misure | Dimensions | Abmessungen | Размеры



Note | Nota | Remarque | Hinweis | Примечание

All dimensions in mm tolerance $\pm 5\%$ for below 200mm and $\pm 3\%$ for above 200mm | Tutte le dimensioni hanno una tolleranza di $\pm 5\%$ mm al di sotto dei 200mm e di $\pm 3\%$ mm al di sopra dei 200mm | Toutes les dimensions en mm tolérance $\pm 5\%$ pour moins de 200mm et $\pm 3\%$ pour plus de 200mm/ Alle Abmessungen in mm, Toleranz $\pm 5\%$ für unter 200mm, und $\pm 3\%$ für über 200mm | Все размеры указаны в мм, погрешность $\pm 5\%$ ниже 200 мм и $\pm 3\%$ выше 200 мм

Models | Modelli | Modèles | Modelle | Модели



50X36 CM
VARUC25000AWHA



FREE-FLOW
CHROME : DUO002444

CLICK-CLACK
CHROME : DUO000444

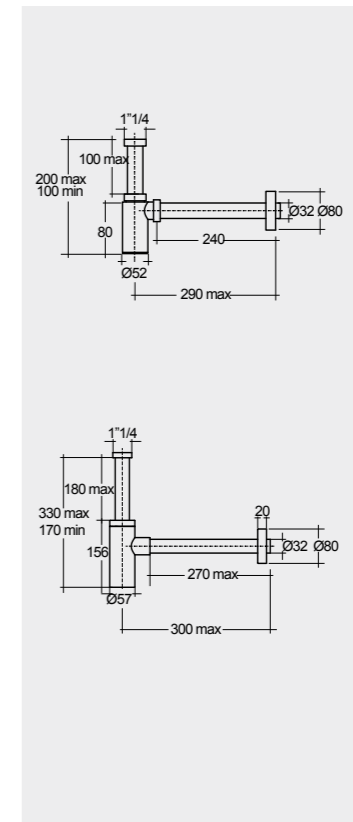
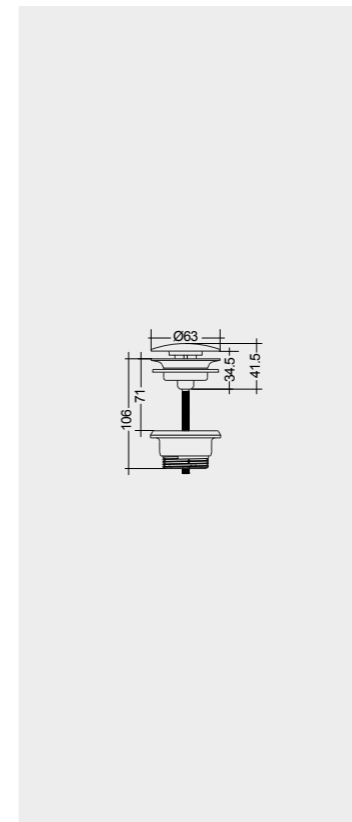
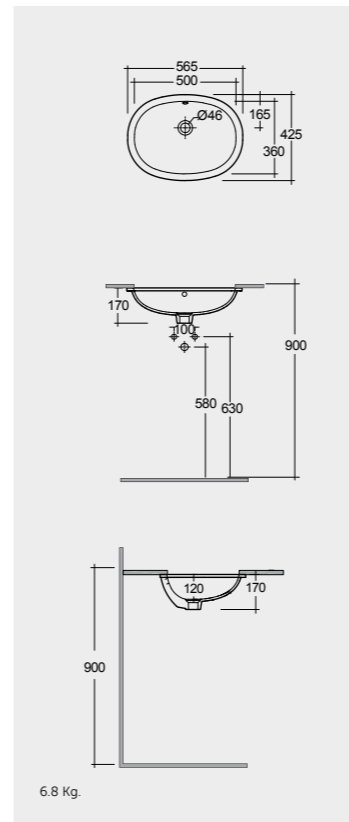


FOR WASH BASIN
ABS CHROME : BTRWBABS002

FOR WASH BASIN
INOX CHROME : BTRWBSST001

With Overflow

Measurements | Misure | Dimensions | Abmessungen | Размеры



Inspectionable

RAK-VARIANT / OVAL ELONGATED

Models | Modelli | Modèles | Modelle | Модели



60X42 CM
VARCT36001AWHA



60X42 CM
VARDI36001AWHA

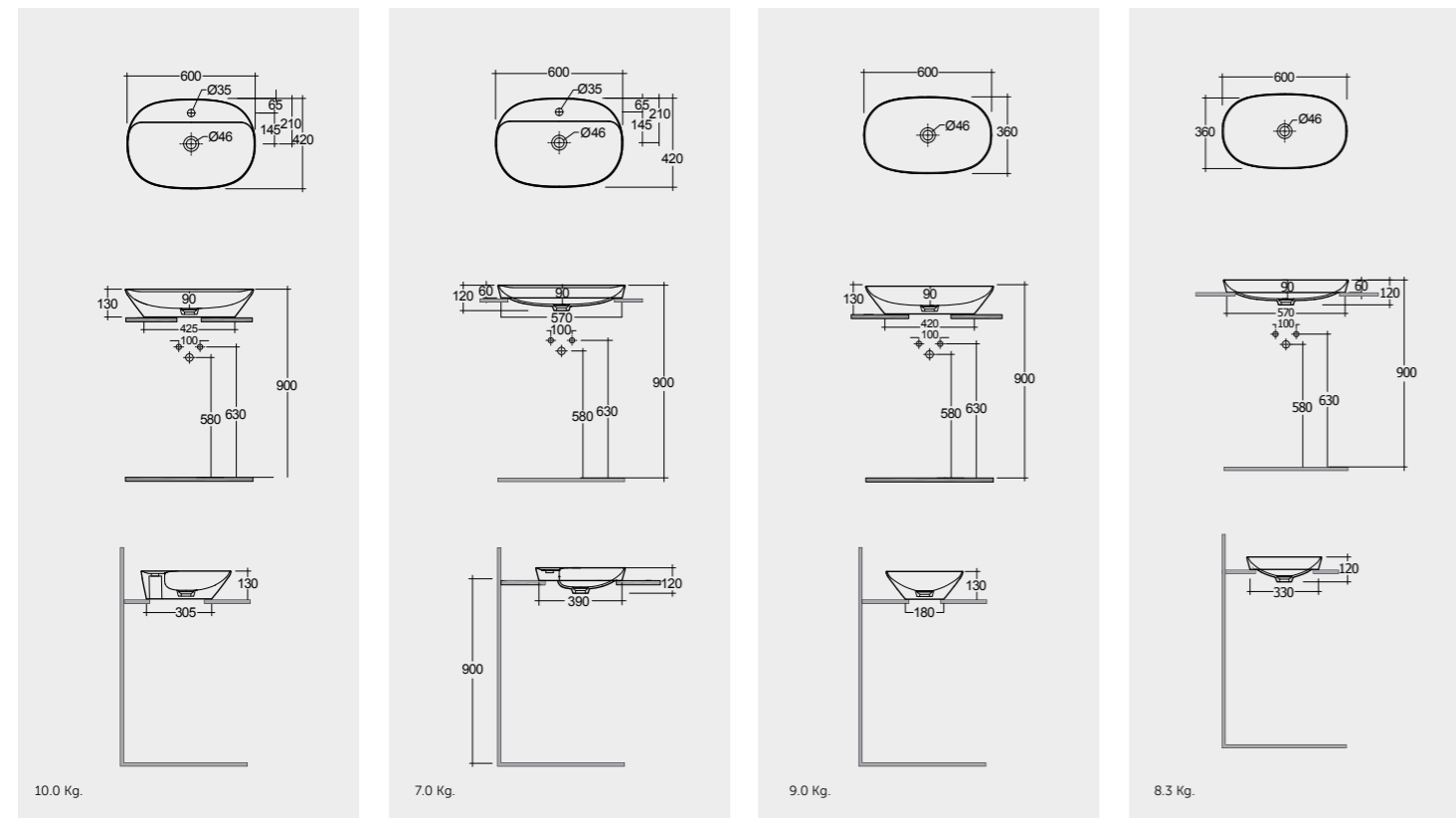


60X36 CM
VARCT36000AWHA



60X36 CM
VARDI36000AWHA

Measurements | Misure | Dimensions | Abmessungen | Размеры



Note | Nota | Remarque | Hinweis | Примечание

All dimensions in mm tolerance $\pm 5\%$ for below 200mm and $\pm 3\%$ for above 200mm | Tutte le dimensioni hanno una tolleranza di $\pm 5\%$ mm al di sotto dei 200mm e di $\pm 3\%$ mm al di sopra dei 200mm | Toutes les dimensions en mm tolérance $\pm 5\%$ pour moins de 200mm et $\pm 3\%$ pour plus de 200mm/ Alle Abmessungen in mm, Toleranz $\pm 5\%$ für unter 200mm, und $\pm 3\%$ für über 200mm | Все размеры указаны в мм, погрешность $\pm 5\%$ ниже 200 мм и $\pm 3\%$ выше 200 мм

Models | Modelli | Modèles | Modelle | Модели



60X36 CM
VARUC36000AWHA



FREE-FLOW
CHROME : DUO002444

CLICK-CLACK
CHROME : DUO000444



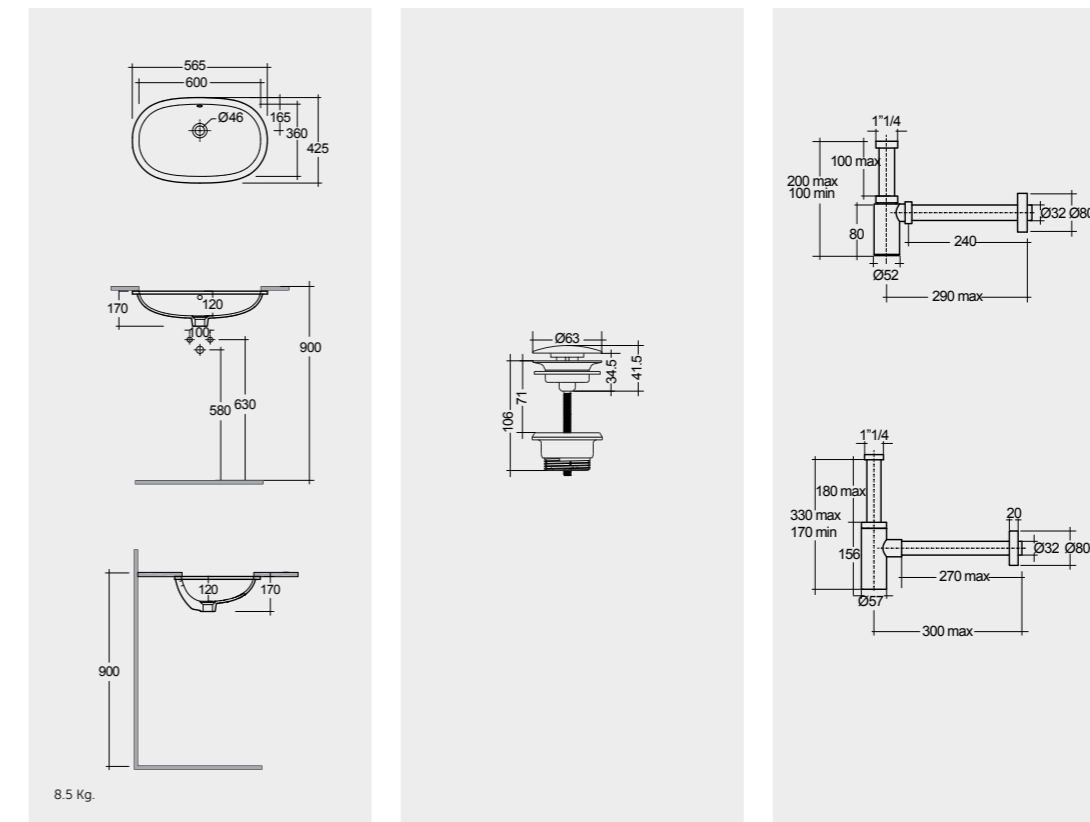
FOR WASH BASIN
ABS CHROME : BTRWBABS002

FOR WASH BASIN
INOX CHROME : BTRWBSST001

With Overflow

Inspectionable

Measurements | Misure | Dimensions | Abmessungen | Размеры



RAK-VARIANT / SQUARED

Models | Modelli | Modèles | Modelle | Модели



42X42 CM
VARCT44201AWHA



42X42 CM
VARDI44201AWHA

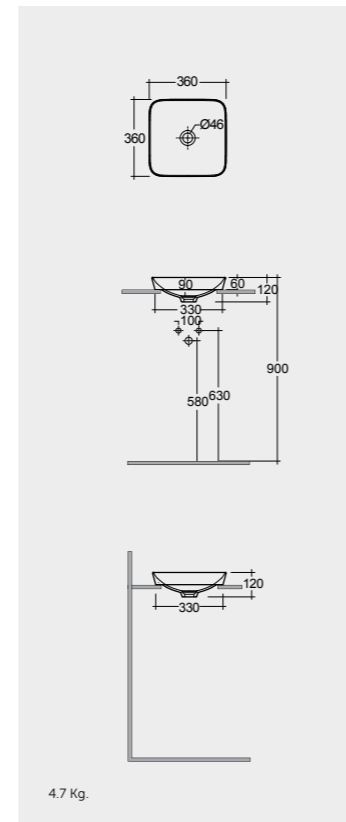
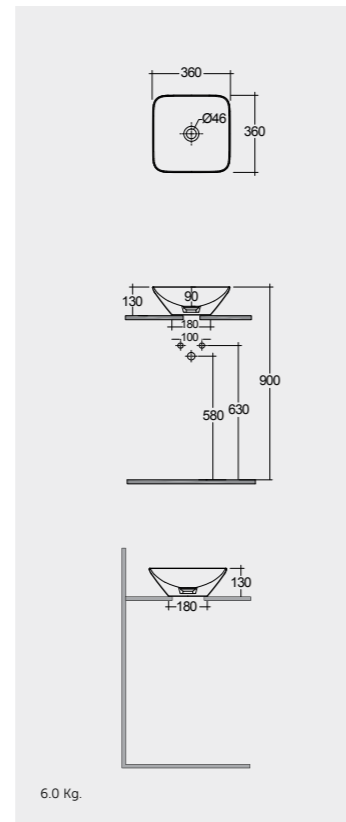
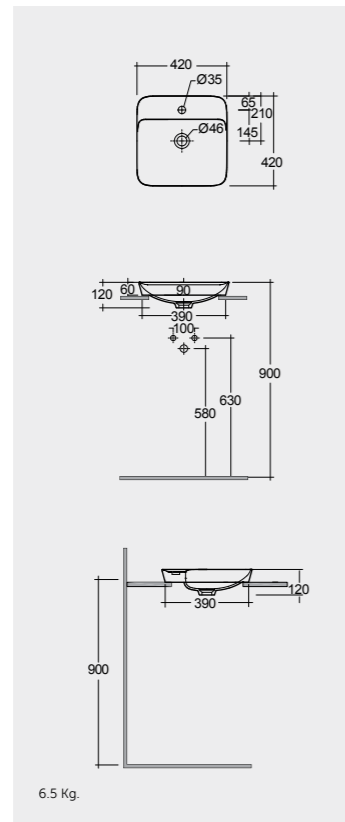
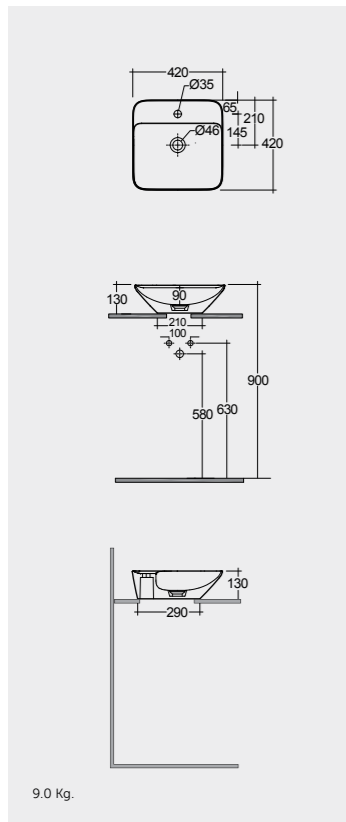


36X36 CM
VARCT43600AWHA



36X36 CM
VARDI43600AWHA

Measurements | Misure | Dimensions | Abmessungen | Размеры



Note | Nota | Remarque | Hinweis | Примечание

All dimensions in mm tolerance $\pm 5\%$ for below 200mm and $\pm 3\%$ for above 200mm | Tutte le dimensioni hanno una tolleranza di $\pm 5\%$ mm al di sotto dei 200mm e di $\pm 3\%$ mm al di sopra dei 200mm | Toutes les dimensions en mm tolérance $\pm 5\%$ pour moins de 200mm et $\pm 3\%$ pour plus de 200mm/ Alle Abmessungen in mm, Toleranz $\pm 5\%$ für unter 200mm, und $\pm 3\%$ für über 200mm | Все размеры указаны в мм, погрешность $\pm 5\%$ ниже 200 мм и $\pm 3\%$ выше 200 мм

Models | Modelli | Modèles | Modelle | Модели



36X36 CM
VARUC43600AWHA



FREE-FLOW
CHROME : DUO002444

CLICK-CLACK
CHROME : DUO000444

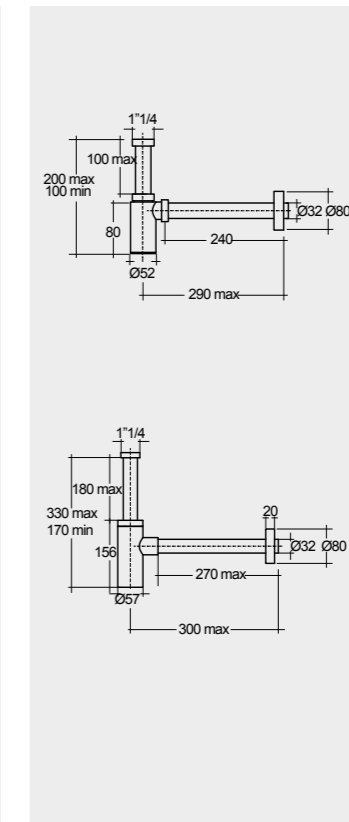
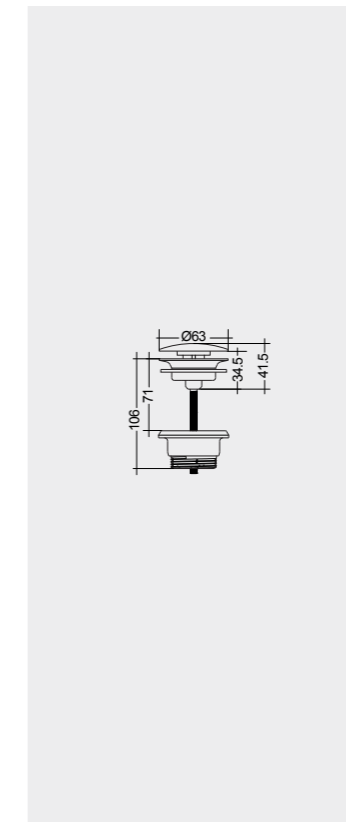
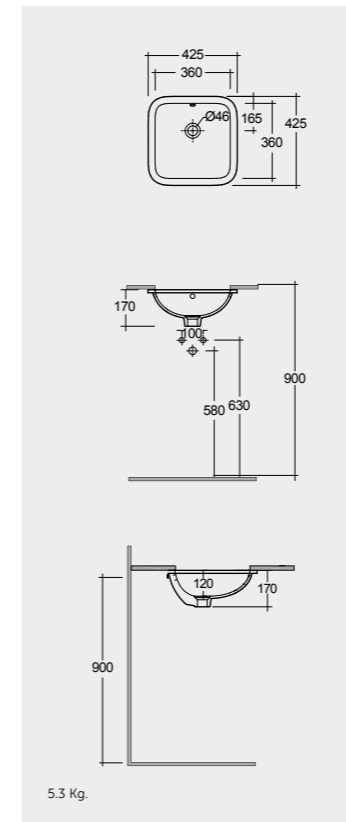


FOR WASH BASIN
ABS CHROME : BTRWBABS002

FOR WASH BASIN
INOX CHROME : BTRWBSST001

With Overflow

Measurements | Misure | Dimensions | Abmessungen | Размеры



Inspectionable

RAK-VARIANT / RECTANGULAR

Models | Modelli | Modèles | Modelle | Модели



55X42 CM
VARCT55501AWHA



55X42 CM
VARDI55501AWHA

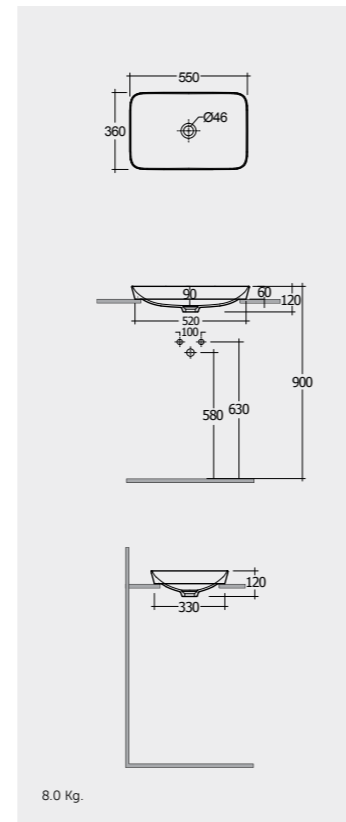
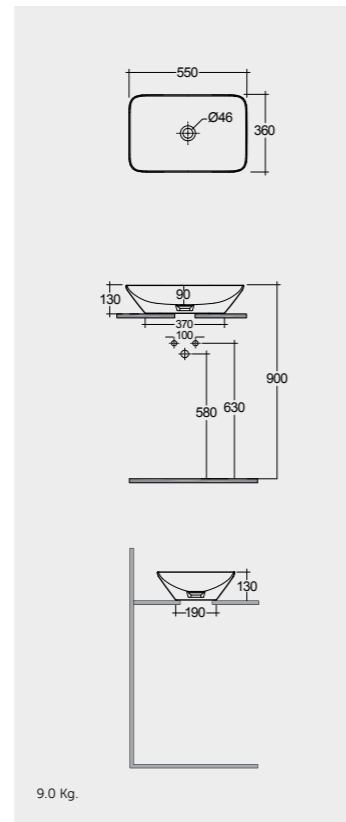
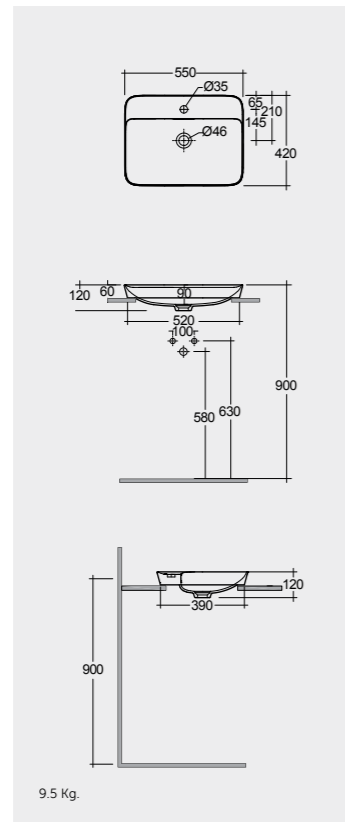
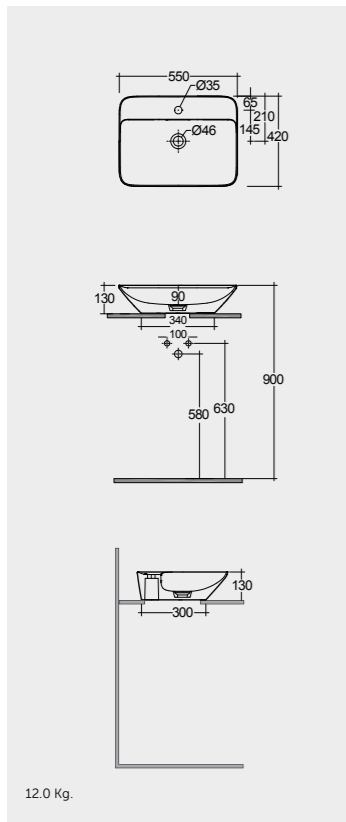


55X36 CM
VARCT55500AWHA



55X36 CM
VARDI55500AWHA

Measurements | Misure | Dimensions | Abmessungen | Размеры



Note | Nota | Remarque | Hinweis | Примечание

All dimensions in mm tolerance $\pm 5\%$ for below 200mm and $\pm 3\%$ for above 200mm | Tutte le dimensioni hanno una tolleranza di $\pm 5\%$ mm al di sotto dei 200mm e di $\pm 3\%$ mm al di sopra dei 200mm | Toutes les dimensions en mm tolérance $\pm 5\%$ pour moins de 200mm et $\pm 3\%$ pour plus de 200mm/ Alle Abmessungen in mm, Toleranz $\pm 5\%$ für unter 200mm, und $\pm 3\%$ für über 200mm | Все размеры указаны в мм, погрешность $\pm 5\%$ ниже 200 мм и $\pm 3\%$ выше 200 мм

Models | Modelli | Modèles | Modelle | Модели



55X36 CM
VARUC55500AWHA



FREE-FLOW
CHROME : DUO002444

CLICK-CLACK
CHROME : DUO000444

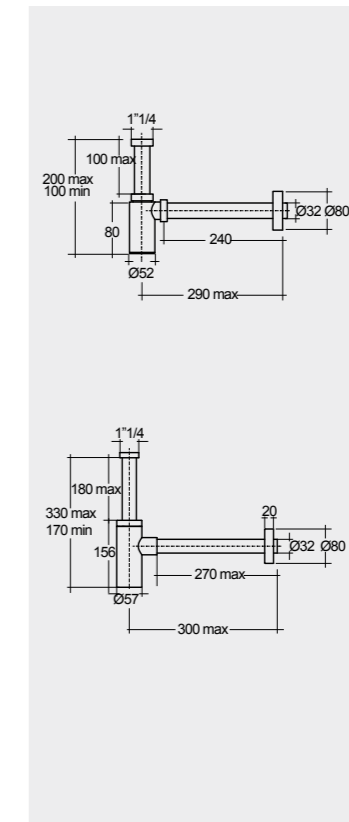
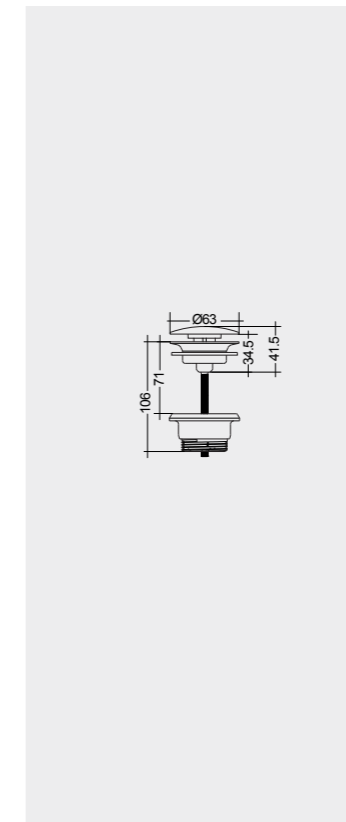
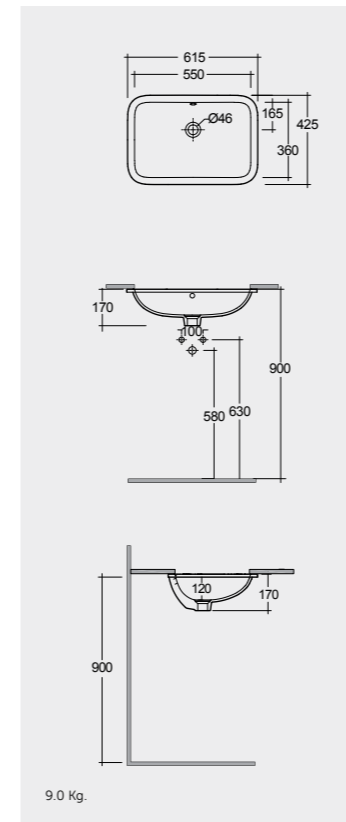


FOR WASH BASIN
ABS CHROME : BTRWBABS002

FOR WASH BASIN
INOX CHROME : BTRWBSST001

With Overflow

Measurements | Misure | Dimensions | Abmessungen | Размеры



Inspectionable



55X42 CM
VARDI55501AWHA



55X36 CM
VARUC55500AWHA

RAK-FEELING WASH BASINS

RAK-Feeling counter top wash basins will enhance any modern bathroom interior design. Available in 5 different ceramic glazes, they perfectly match with the colour range of our RAK-Feeling RAKSOLID shower trays.

To complete the collection, all counter top bowls can be colour coordinated with a ceramic click-clack pop up waste and placed on your favourite RAK-Joy bathroom vanity, integrated with a tile countertop surface selected from the RAK-Precious range by RAK Ceramics.

I nuovi lavabi da appoggio RAK-Feeling si adattano ad ogni progetto di bagno in stile moderno. Disponibili in 5 diversi colori, si combinano perfettamente alla gamma colori dei piatti doccia RAK-Feeling in RAKSOLID.

Tutti i lavabi possono essere completati dallo scarico con tappo click clack coordinato e possono essere abbinati al vostro mobile bagno preferito della linea RAK-Joy, integrato con piano d'appoggio in gres porcellanato RAK-Precious.

nouveaux lavabos à poser RAK-Feeling s'adaptent à tout projet de bain en style moderne. Disponibles en 5 couleurs diverses, ils se combinent parfaitement avec la gamme de couleurs des receveurs de douche RAK-Feeling en RAKSOLID.

Tous les lavabos peuvent être complétés par une soupape d'évacuation clic clac conforme, et combinés avec votre meuble de bain préféré de la ligne RAK-Joy, avec plan d'appui en grès porcelaine RAK-Precious.

Die neuen Auf Tischwaschbecken RAK-Feeling passen sich jedem Badprojekt in modernem Stil an. Sie sind in 5 verschiedenen Farben verfügbar und lassen sich bestens mit der Farbpalette der Duschbecken von RAK-Feeling aus RAKSOLID kombinieren.

Alle Waschbecken lassen sich durch ein entsprechendes Ablaufventil Klick Klack vervollständigen und können an Ihr Lieblingsbadezimmermöbelstück der Linie RAK-Joy, mit Auflagefläche aus Feinsteinzeug RAK-Precious, angepasst werden.

Умывальники RAK-Feeling, монтирующиеся на столешницу, подчеркнут любой современный дизайн интерьера. Умывальники представлены в 5 оттенках керамической глазури, идеально сочетающейся с цветовой гаммой душевых поддонов RAK-Feeling RAKSolid. В довершение коллекции, цвет всех раковин, монтирующихся на столешницу, можно подобрать под оттенок керамических сливных заглушек рычажного и ручного типов, а сами раковины смонтировать сверху на вашем любимом шкафчике под умывальник из коллекции RAK-Joy с выложенной плиткой поверхностью столешницы, подобранной из ассортимента RAK-Precious компании RAK Ceramics.



80X120CM
RFST080120S500

Matt White (500)

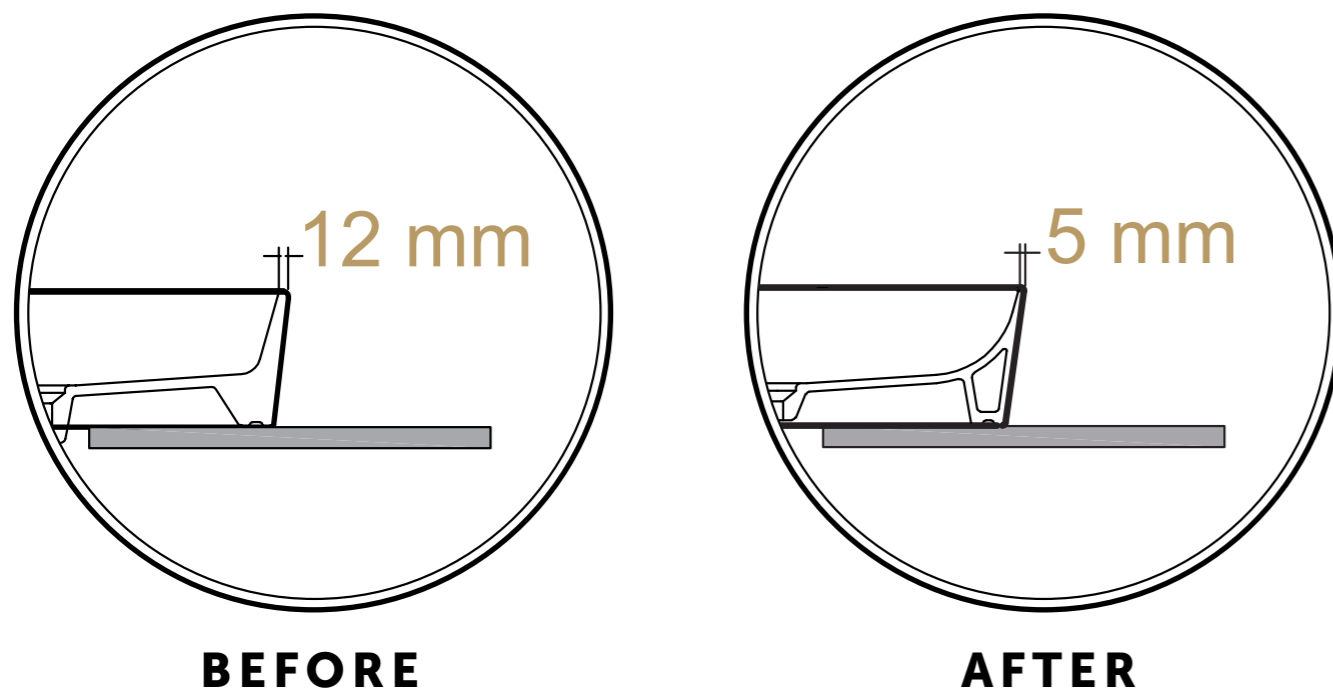
50 CM
FEECT5000500A

Matt White (500)

RAK-FEELING WASH BASINS

SLIM EDGES, HIGH RESISTANCE

BORDI SOTTILI, RESISTENZA ELEVATA | BORDS FINS, RÉSISTANCE ÉLEVÉE | FEINE RÄNDER, HOHE WIDERSTANDSKRAFT | ТОНКИЕ КРАЯ, ВЫСОКАЯ УСТОЙЧИВОСТЬ



RAK-Feeling washbasins are characterized by simple lines and by the new 5mm slim edges that give the whole range a minimal look and at the same time a very high resistance. A perfect synthesis of design and functionality.

lavabi RAK-Feeling si distinguono per le linee semplici ed i nuovissimi bordi sottili da 5mm che conferiscono all'intera gamma un look minimal e contemporaneamente un'altissima resistenza. Una sintesi perfetta di design e funzionalità.

Les lavabos RAK-Feeling se distinguent par des lignes simples et des bords fins les plus nouveaux de 5 mm, qui confèrent à l'ensemble de la gamme un look minimal et, à la fois, une résistance suprême. Une synthèse parfaite de design et de fonctionnalité.

Die Waschbecken RAK-Feeling zeichnen sich durch einfache Linien und die neuesten feinsten 5mm hohen Ränder aus, die der gesamten Auswahl einen minimalistischen Look und gleichzeitig eine hohe Widerstandskraft verleihen. Eine perfekte Synthese aus Design und Funktionalität.

Раковины из коллекции RAK-Feeling отличаются простыми линиями и оригинальными тонкими краями толщиной 5 мм, которые придают всей линейке минималистический вид и в то же время высокую устойчивость. Совершенный синтез дизайна и функциональности.

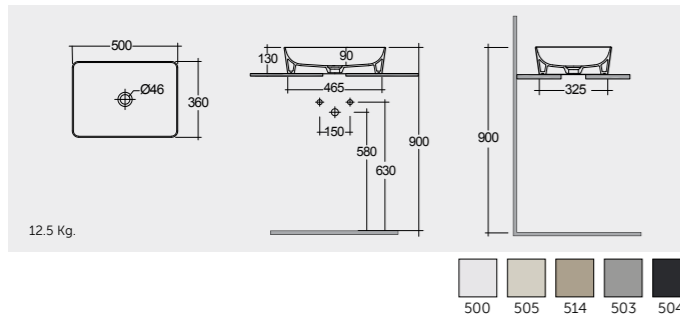


RAK-FEELING WASH BASINS

RAK-Feeling Rectangular 50 CM



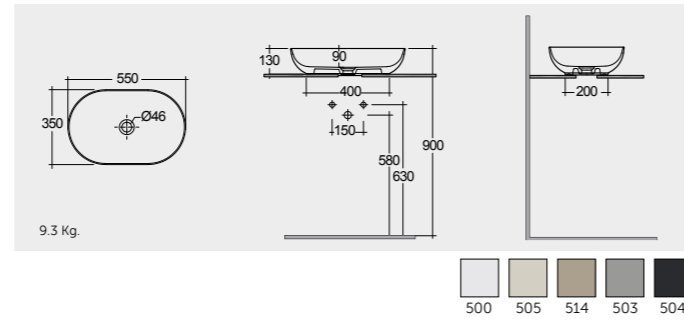
FEECT5000514A Rectangular



RAK-Feeling Oval 55 CM



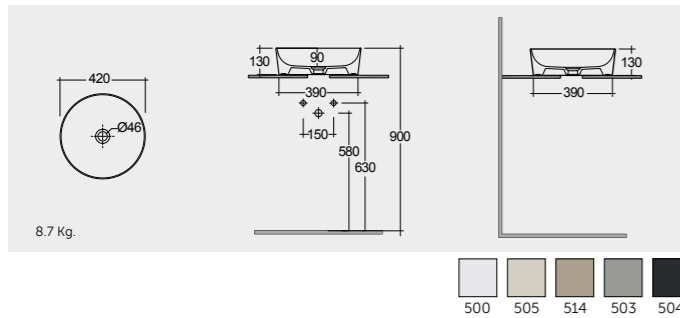
FEECT5500514A Oval



RAK-Feeling Round 42 CM



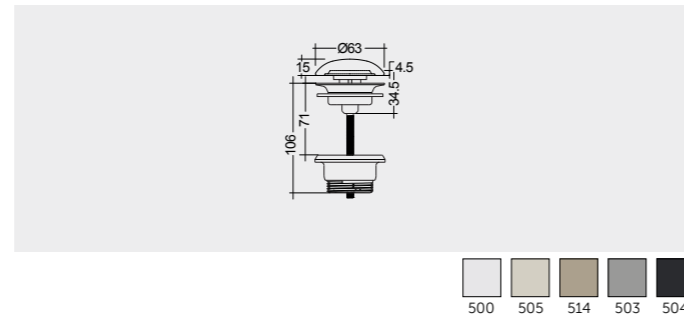
FEECT4200514A Round



Colours available



CERAMIC CLICK-CLACK POP-UP WASTE DUO000514A CERAMIC FREE-FLOW WASTE DUO002514A



Note | Nota | Remarque | Hinweis | Примечание

All dimensions in mm tolerance $\pm 5\%$ for below 200mm and $\pm 3\%$ for above 200mm | Tutte le dimensioni hanno una tolleranza di $\pm 5\%$ mm al di sotto dei 200mm e di $\pm 3\%$ mm al di sopra dei 200mm | Toutes les dimensions en mm tolérance $\pm 5\%$ pour moins de 200mm et $\pm 3\%$ pour plus de 200mm/ Alle Abmessungen in mm, Toleranz $\pm 5\%$ für unter 200mm, und $\pm 3\%$ für über 200mm | Все размеры указаны в мм, погрешность $\pm 5\%$ ниже 200 мм и $\pm 3\%$ выше 200 мм

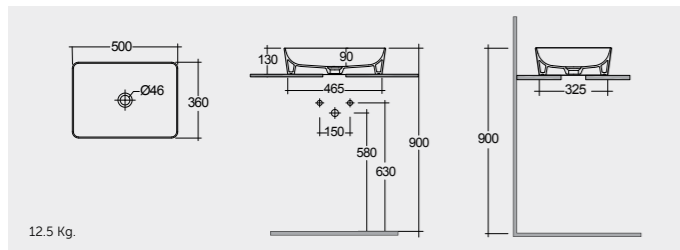


RAK-FEELING WASH BASINS

RAK-Feeling Rectangular 50 CM



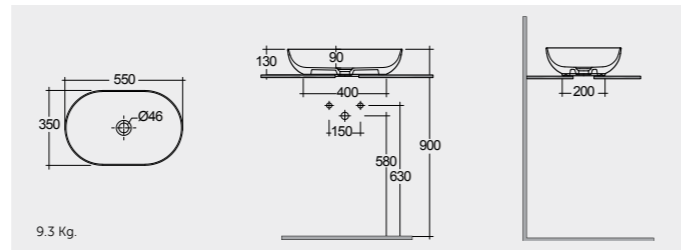
FEECT5000AWHA Rectangular



RAK-Feeling Oval 55 CM



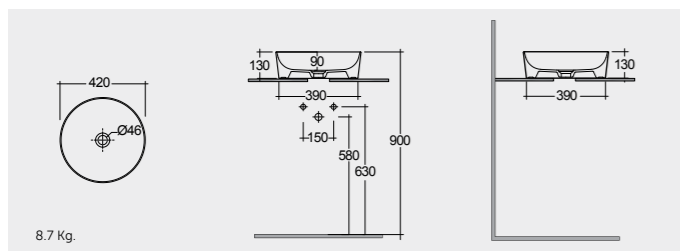
FEECT5500AWHA Oval



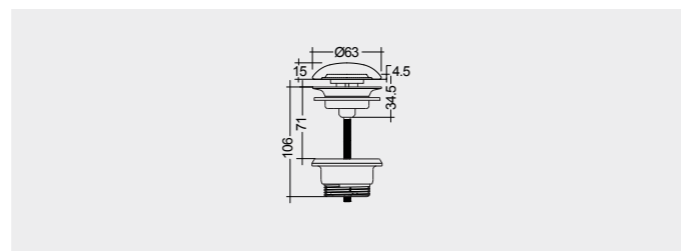
RAK-Feeling Round 42 CM



FEECT4200AWHA Round



CERAMIC CLICK-CLACK POP-UP WASTE DUO000AWHA CERAMIC FREE-FLOW WASTE DUO002AWHA



Note | Nota | Remarque | Hinweis | Примечание

All dimensions in mm tolerance $\pm 5\%$ for below 200mm and $\pm 3\%$ for above 200mm | Tutte le dimensioni hanno una tolleranza di $\pm 5\%$ mm al di sotto dei 200mm e di $\pm 3\%$ mm al di sopra dei 200mm | Toutes les dimensions en mm tolérance $\pm 5\%$ pour moins de 200mm et $\pm 3\%$ pour plus de 200mm/ Alle Abmessungen in mm, Toleranz $\pm 5\%$ für unter 200mm, und $\pm 3\%$ für über 200mm | Все размеры указаны в мм, погрешность $\pm 5\%$ ниже 200 мм и $\pm 3\%$ выше 200 мм

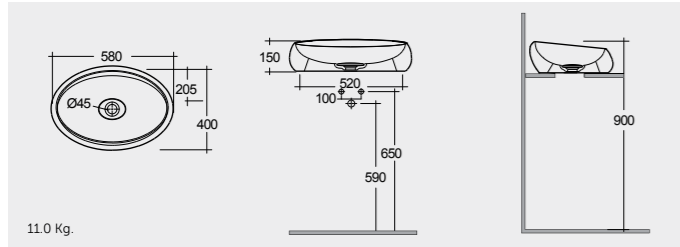


COUNTER TOP WASH BASINS

RAK-Cloud 58 CM



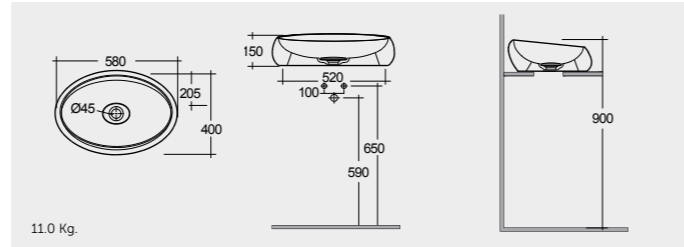
CLOCT6000AWHA Ceramic Waste Cover Included AWH



RAK-Cloud 58 CM



CLOCT6000500A Matt Finish Ceramic Waste Cover Included 500

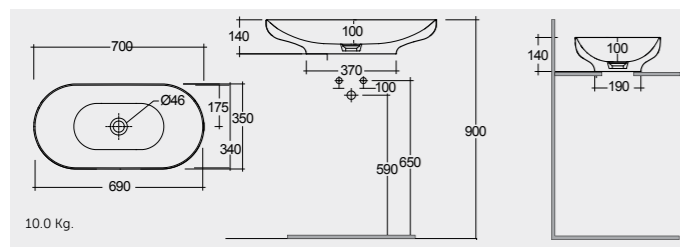


RAK-Des Bowl 70 CM



DESCT7000AWHA

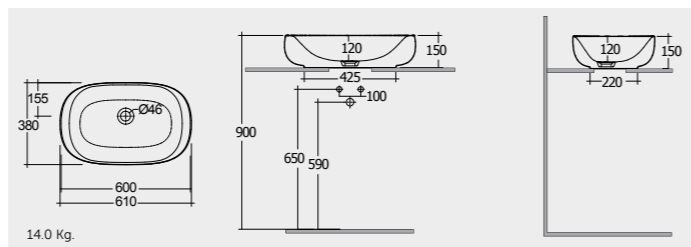
Bowl



RAK- Illusion 60 CM



ILLCT6000AWHA



Note | Nota | Remarque | Hinweis | Примечание

All dimensions in mm tolerance $\pm 5\%$ for below 200mm and $\pm 3\%$ for above 200mm | Tutte le dimensioni hanno una tolleranza di $\pm 5\%$ mm al di sotto dei 200mm e di $\pm 3\%$ mm al di sopra dei 200mm | Toutes les dimensions en mm tolérance $\pm 5\%$ pour moins de 200mm et $\pm 3\%$ pour plus de 200mm/ Alle Abmessungen in mm, Toleranz $\pm 5\%$ für unter 200mm, und $\pm 3\%$ für über 200mm | Все размеры указаны в мм, погрешность $\pm 5\%$ ниже 200 мм и $\pm 3\%$ выше 200 мм

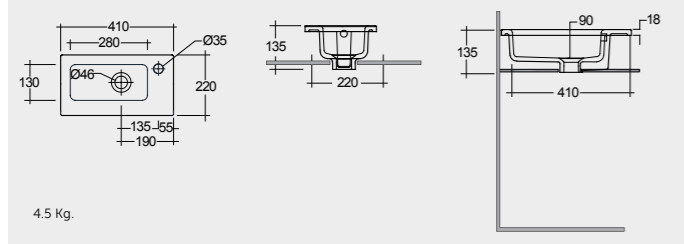


DROP IN WASH BASINS

RAK-JOY 41x22 CM



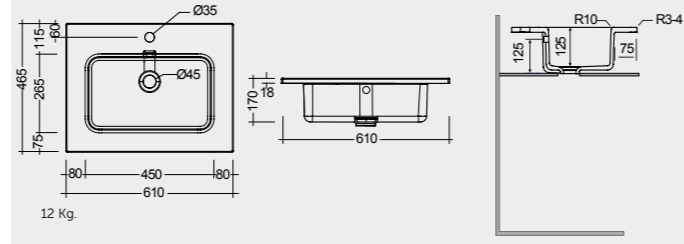
41 x 22 CM
JOYWB4106AWHA



RAK-JOY 61X46 CM



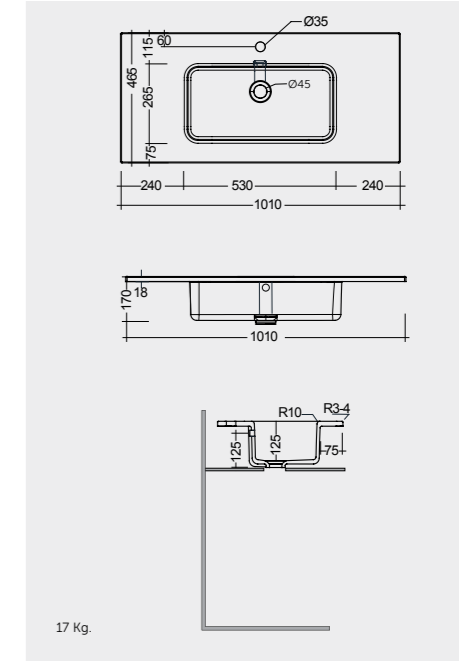
61 x 46 CM
JOYDI06101WH



RAK-JOY 101X46 CM



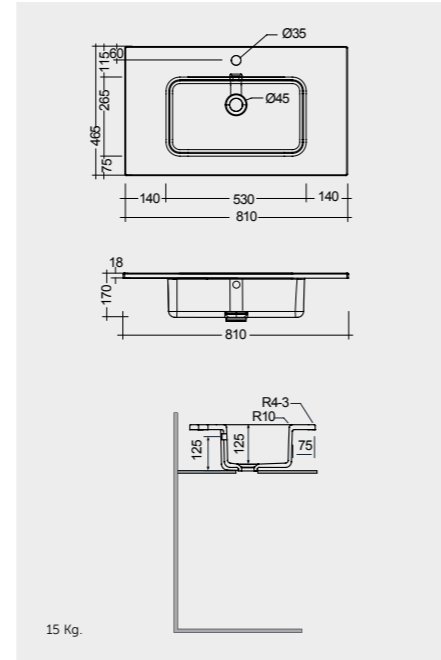
101 x 46 CM
JOYDI10101WH



RAK-JOY 81 X 46 CM



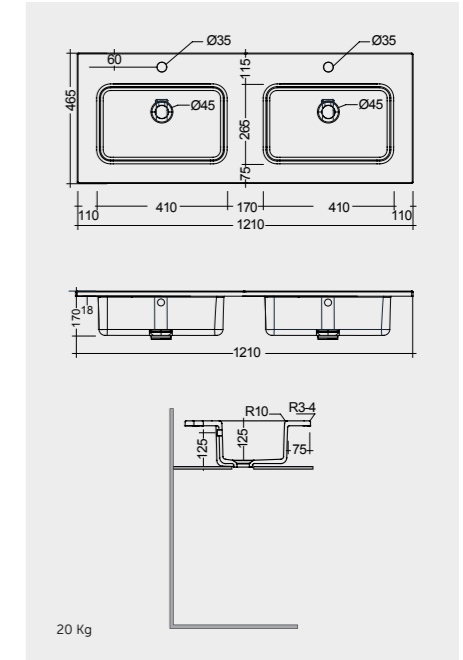
81 x 46 CM
JOYDI08101WH



RAK-JOY 121 X 46 CM



121 x 46 CM
JOYDI12102WH



Note | Nota | Remarque | Hinweis | Примечание

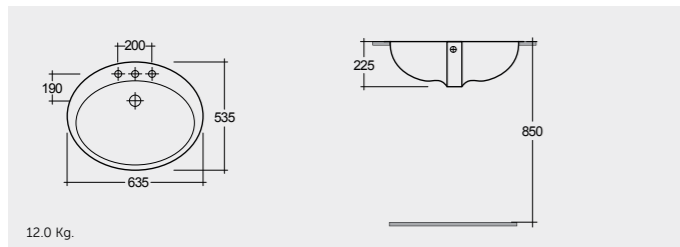
All dimensions in mm tolerance $\pm 5\%$ for below 200mm and $\pm 3\%$ for above 200mm | Tutte le dimensioni hanno una tolleranza di $\pm 5\%$ mm al di sotto dei 200mm e di $\pm 3\%$ mm al di sopra dei 200mm | Toutes les dimensions en mm tolérance $\pm 5\%$ pour moins de 200mm et $\pm 3\%$ pour plus de 200mm/ Alle Abmessungen in mm, Toleranz $\pm 5\%$ für unter 200mm, und $\pm 3\%$ für über 200mm | Все размеры указаны в мм, погрешность $\pm 5\%$ ниже 200 мм и $\pm 3\%$ выше 200 мм

DROP IN WASH BASINS

RAK-Cherry 63 CM



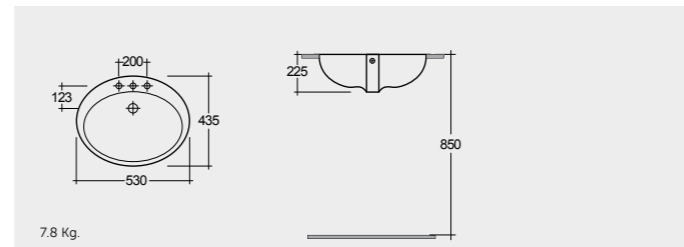
LACH00001



RAK-Jessica 53 CM



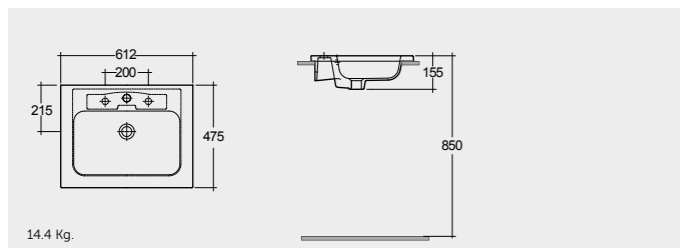
LAJE00001



RAK-Cilla 61 CM



LACI00001



Note | Nota | Remarque | Hinweis | Примечание

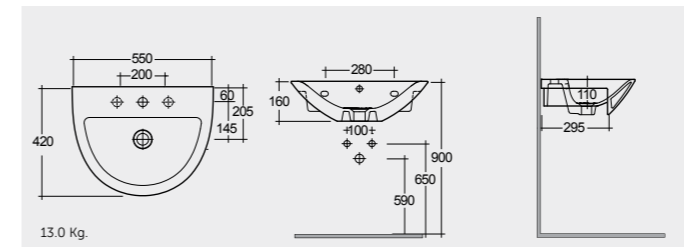
All dimensions in mm tolerance ±5% for below 200mm and ±3% for above 200mm | Tutte le dimensioni hanno una tolleranza di ±5% mm al di sotto dei 200mm e di ±3% mm al di sopra dei 200mm | Toutes les dimensions en mm tolérance ±5% pour moins de 200mm et ±3% pour plus de 200mm/ Alle Abmessungen in mm, Toleranz ±5% für unter 200mm, und ±3% für über 200mm | Все размеры указаны в мм, погрешность ±5% ниже 200 мм и ±3% выше 200 мм

SEMI RECESSED WASH BASINS

RAK- Morning 55 CM



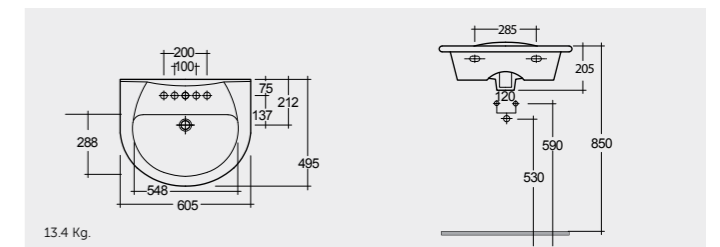
MORSR5501AWHA



RAK-Karla 60 CM



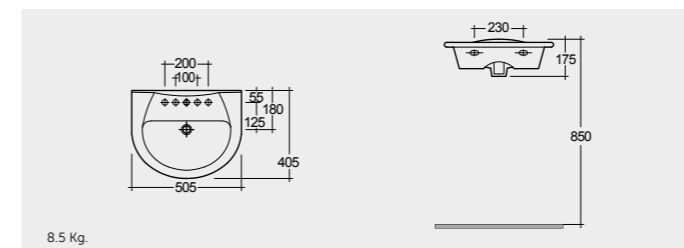
LAKA00001



RAK-Karla 50 CM



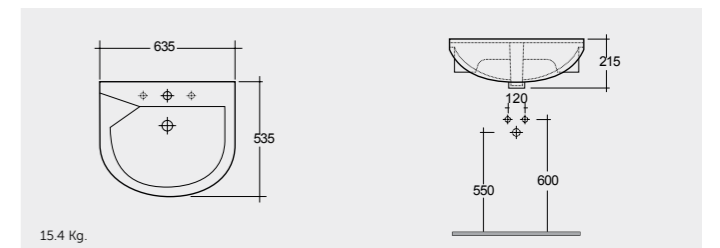
LAKA00002



RAK-Liwa 64 CM



LALW00001

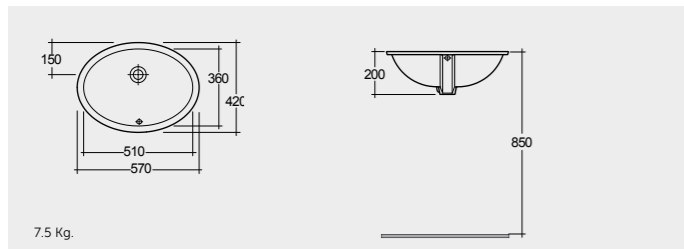


UNDER COUNTER WASH BASINS

RAK-Rosa 57 CM



LARO00001

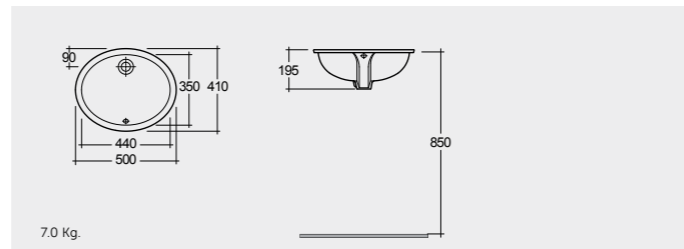


7.5 Kg.

RAK-Rosa 50 CM



LARO00002



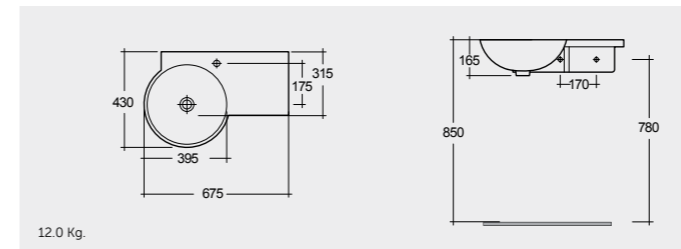
7.0 Kg.

CLOAKROOM WASH BASINS

RAK-Gina Right 67 CM



LAGI00001

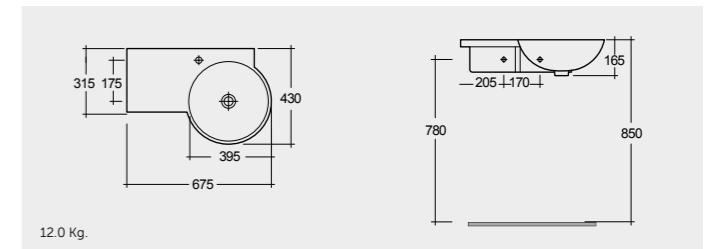


12.0 Kg.

RAK-Gina Left 67 CM



LAGI00002

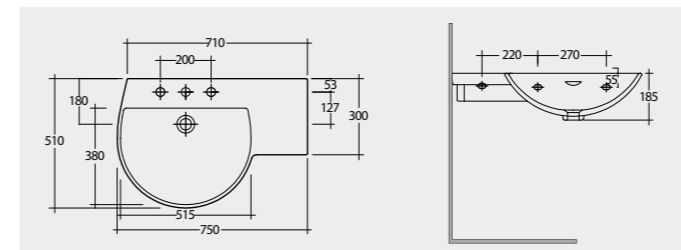


12.0 Kg.

RAK-Reserva wing Right 75 CM



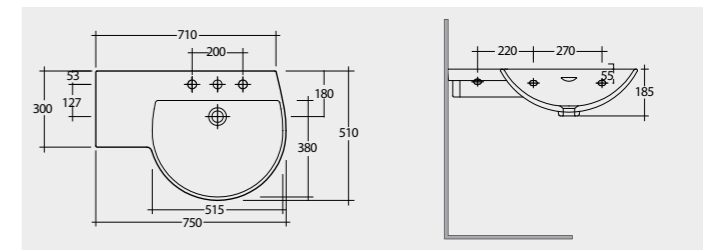
LARS00001



RAK-Reserva wing Left 75 CM



LARS00002



Note | Nota | Remarque | Hinweis | Примечание

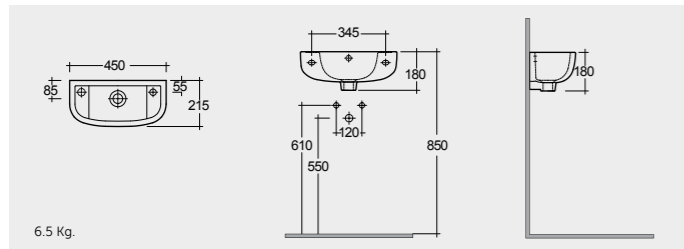
All dimensions in mm tolerance $\pm 5\%$ for below 200mm and $\pm 3\%$ for above 200mm | Tutte le dimensioni hanno una tolleranza di $\pm 5\%$ mm al di sotto dei 200mm e di $\pm 3\%$ mm al di sopra dei 200mm | Toutes les dimensions en mm tolérance $\pm 5\%$ pour moins de 200mm et $\pm 3\%$ pour plus de 200mm/ Alle Abmessungen in mm, Toleranz $\pm 5\%$ für unter 200mm, und $\pm 3\%$ für über 200mm | Все размеры указаны в мм, погрешность $\pm 5\%$ ниже 200 мм и $\pm 3\%$ выше 200 мм

CLOAKROOM WASH BASINS

RAK-Compact 45 CM



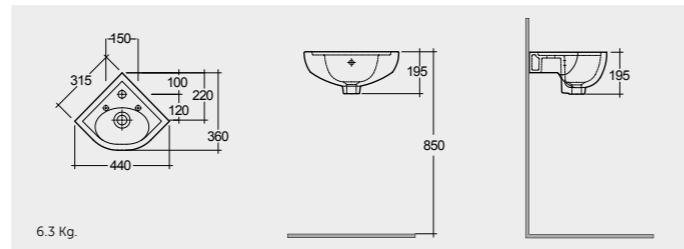
LACO00001



RAK-Compact Corner 44 CM



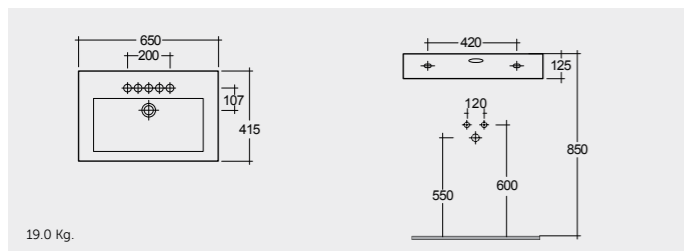
LACO00002



RAK-Scoop 65 CM



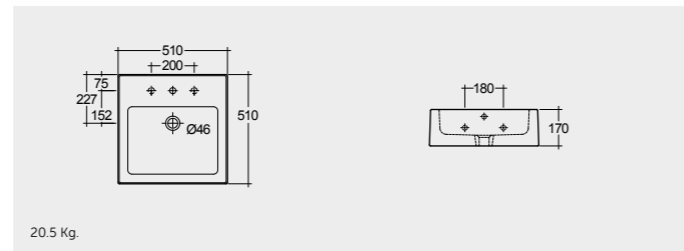
LASC00001



RAK-Square Sink (Patrizia) 51 CM



LAPA00001



SENIOR NEEDS
BISOGNI PER ANZIANI
BESOINS SENIOR
ÄLTERE BEDÜRFNISSE
СТАРШИЕ
ПОТРЕБНОСТИ

RAK-SILVER

Just a few small changes are enough to turn your bathroom into a safe environment, even if you are in your twilight years or have limited movement. The **RAK-Silver** collection has been created by RAK Ceramics to provide safety, functionality and comfort at any age, with essential features to ensure total independence and autonomy in your bathroom, without sacrificing on style.

Bastano pochi specifici accorgimenti per trasformare il bagno in un ambiente sicuro anche per persone non più giovani o con limitazioni di movimento. **Rak-Silver** è uno specifico programma creato da Rak Ceramics per poter garantire sicurezza, funzionalità e comfort ad ogni età, caratteristiche indispensabili per assicurare totale indipendenza ed autonomia nella zona bagno, senza rinunciare al proprio stile.

Il suffit peu d'artifices spécifiques, pour transformer la salle de bains en un lieu sûr, aussi pour des personnes plus âgées ou aux mouvements limités. **Rak-Silver** est un programme spécifique, créé par Rak-Ceramics, afin de garantir la sécurité, la fonctionnalité et le confort pour tout âge - des caractéristiques indispensables pour assurer une indépendance et une autonomie totales dans la zone de la salle de bains, sans renoncer au propre style.

Es genügen wenige spezifische Kunstgriffe, um das Badezimmer in einen sicheren Raum zu verwandeln, selbst für ältere oder bewegungseingeschränkte Personen. **Rak-Silver** ist ein spezifisches Programm, das von Rak-Ceramics entwickelt worden ist, um Sicherheit, Funktionalität und Komfort in jedem Alter zu garantieren - unerlässliche Eigenschaften, um eine völlige Unabhängigkeit und Autonomie im Badbereich sicherzustellen, ohne auf den eigenen Stil verzichten zu müssen.

Даже если вы находитесь в преклонном возрасте или ваши возможности перемещения ограничены, достаточно нескольких небольших изменений, чтобы сделать вашу ванную комнату безопасной. Коллекция **Rak-Silver** была создана RAK Ceramics, чтобы обеспечить безопасность, функциональность и комфорт в любом возрасте. Коллекция обладает необходимыми функциями для гарантии полной независимости и самостоятельности в вашей ванной комнате, не принося в жертву дизайн.



81x46 CM
JOYDI08101WH

W 80 x D 46 x H 60CM
JOYWH080PWH

850MM (32MM DIA.)
SILGBRPH001

55 CM
RST21AWHA

RAK-DUO (SHATAFF)
SPRDOMX0001



Equip your bathroom in 6 easy steps

1. Make your toilet more comfortable, choose a H 45cm WC comfort height
2. Replace the comfort of your bidet with a spray douche (shataff)
3. Install quality design grab bars
4. Replace your bathtub with a walk-in anti slip shower tray
5. Install a comfortable and safe shower seat in your shower
6. Organize your medicinal products and first aid kit in capient and functional cabinet mirrors and furniture storage

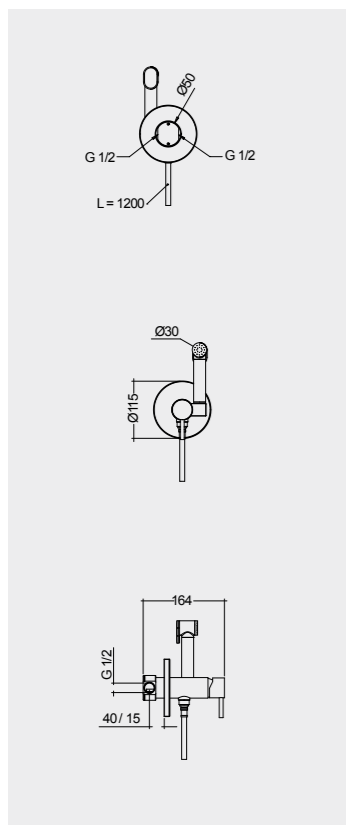
RAK-SILVER / SPRAY DOUCHE SET

Models | Modelli | Modèles | Modelle | Модели



SET WITH MIXER (SHATAFF)
BRASS CHROME : SPRDOMX0001

Measurements | Misure | Dimensions |
Abmessungen | Размеры



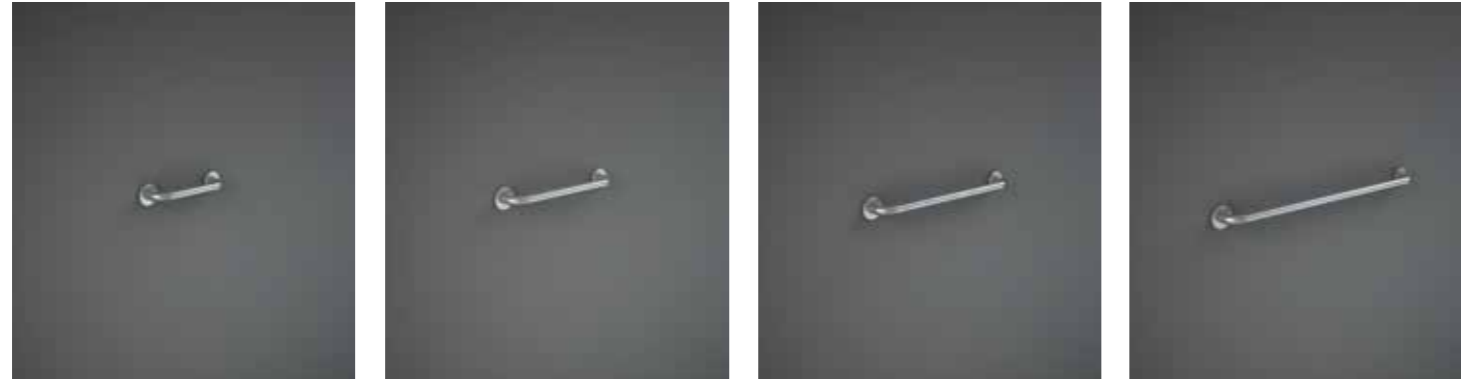
Note | Nota | Remarque | Hinweis | Примечание

All dimensions in mm tolerance $\pm 5\%$ for below 200mm and $\pm 3\%$ for above 200mm | Tutte le dimensioni hanno una tolleranza di $\pm 5\%$ mm al di sotto dei 200mm e di $\pm 3\%$ mm al di sopra dei 200mm | Toutes les dimensions en mm tolérance $\pm 5\%$ pour moins de 200mm et $\pm 3\%$ pour plus de 200mm/ Alle Abmessungen in mm, Toleranz $\pm 5\%$ für unter 200mm, und $\pm 3\%$ für über 200mm | Все размеры указаны в мм, погрешность $\pm 5\%$ ниже 200 мм и $\pm 3\%$ выше 200 мм



RAK-SILVER / GRAB BARS

Models | Modelli | Modèles | Modelle | Модели



300mm (32mm DIA.)
SILGBR00300

450mm (32mm DIA.)
SILGBR00450

600mm (32mm DIA.)
SILGBR00600

900mm (32mm DIA.)
SILGBR00900

Models | Modelli | Modèles | Modelle | Модели



1200mm (32mm DIA.)
SILGBR01200

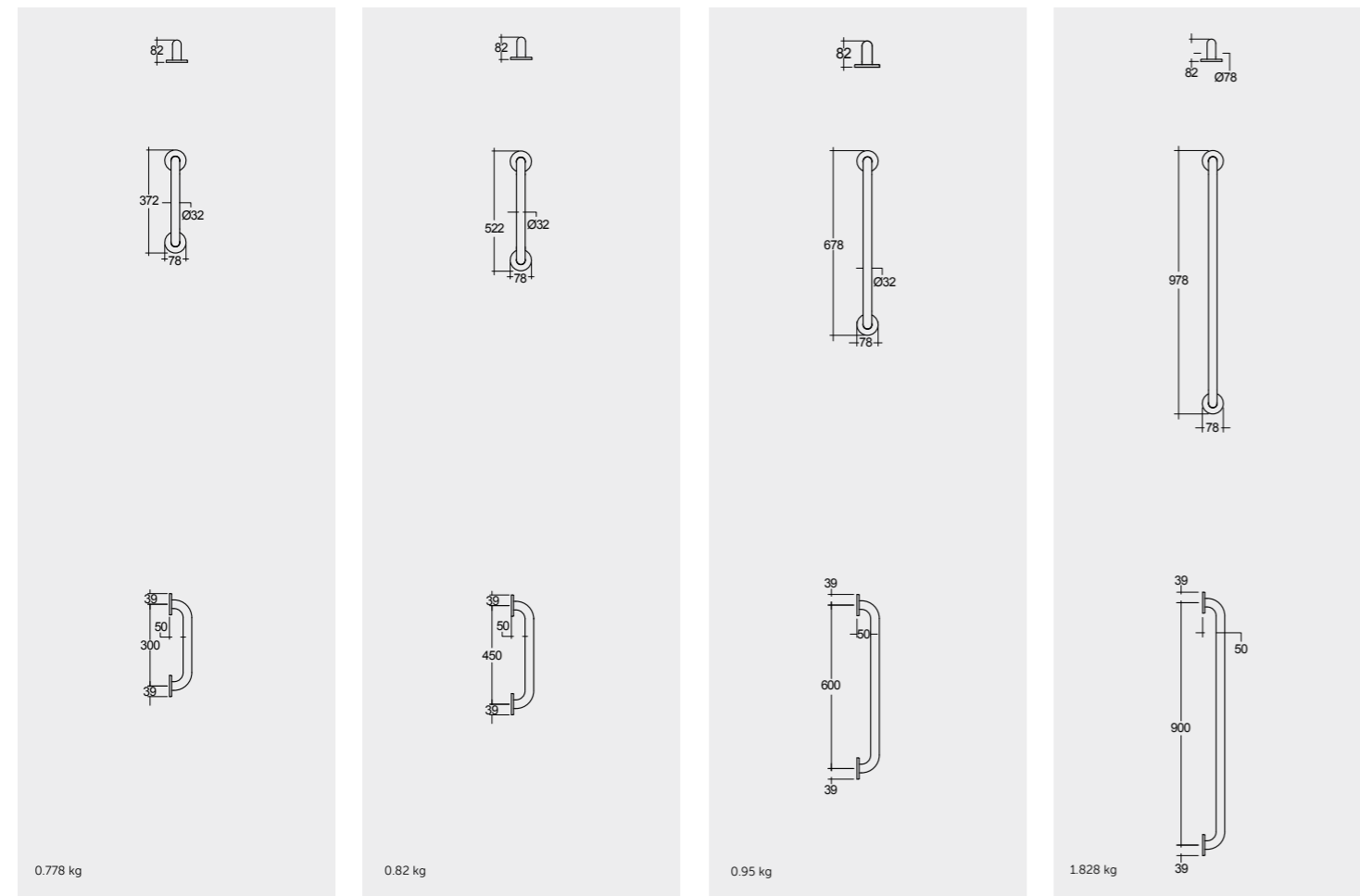
135° Angle (32mm DIA.)
SILGBR135LR

90° Angle (32mm DIA.)
SILGBR090LR

850mm (32mm DIA.)
SILGBRPH001

Foldable, with paper roll holder

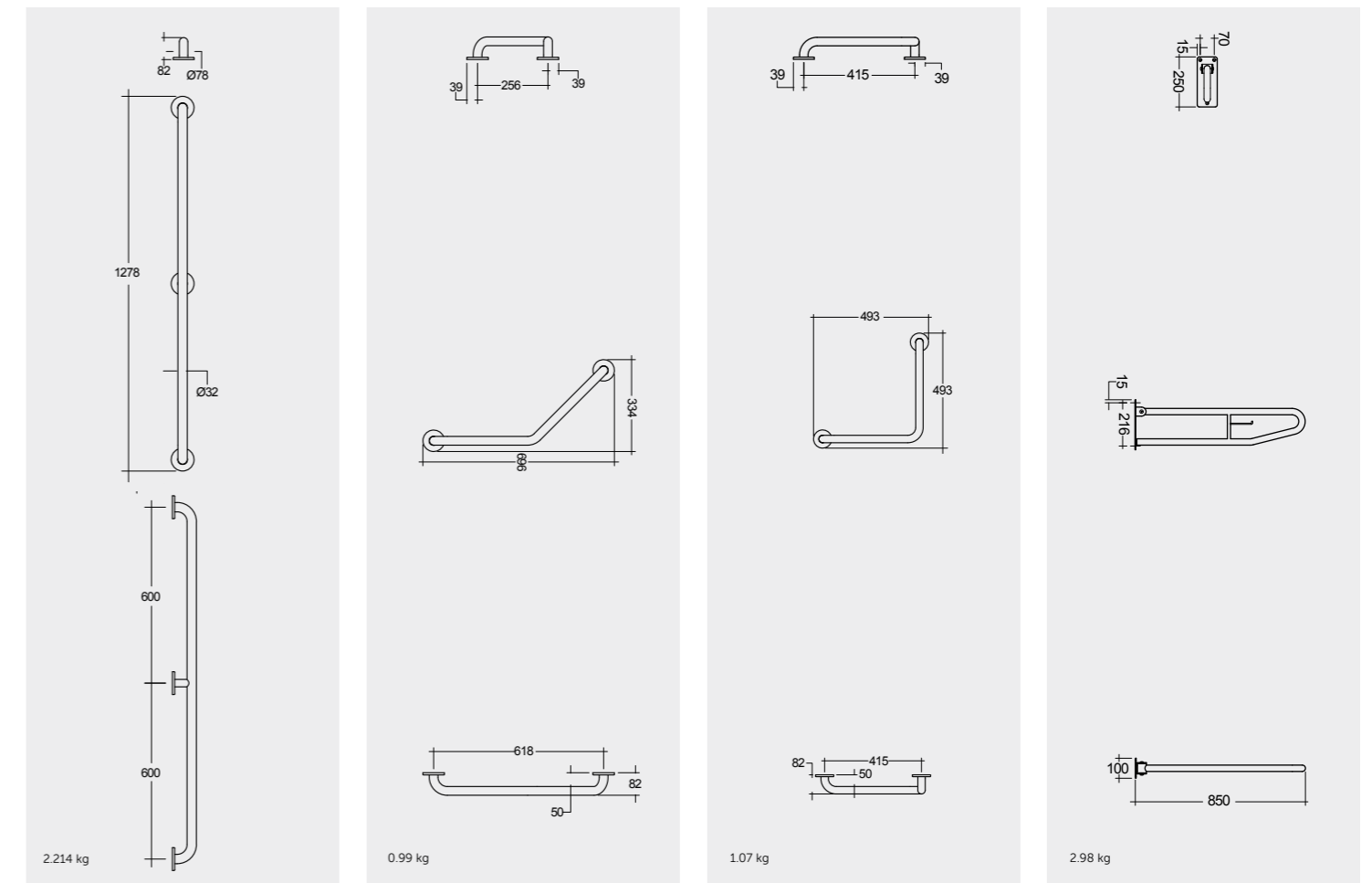
Measurements | Misure | Dimensions | Abmessungen | Размеры



Note | Nota | Remarque | Hinweis | Примечание

All dimensions in mm tolerance $\pm 5\%$ for below 200mm and $\pm 3\%$ for above 200mm | Tutte le dimensioni hanno una tolleranza di $\pm 5\%$ mm al di sotto dei 200mm e di $\pm 3\%$ mm al di sopra dei 200mm | Toutes les dimensions en mm tolérance $\pm 5\%$ pour moins de 200mm et $\pm 3\%$ pour plus de 200mm/ Alle Abmessungen in mm, Toleranz $\pm 5\%$ für unter 200mm, und $\pm 3\%$ für über 200mm | Все размеры указаны в мм, погрешность $\pm 5\%$ ниже 200 мм и $\pm 3\%$ выше 200 мм

Measurements | Misure | Dimensions | Abmessungen | Размеры



RAK-SILVER / GRAB BARS

Models | Modelli | Modèles | Modelle | Модели



90° Angle BIG RIGHT (32mm DIA.)
SILGBR090BR



90° Angle BIG LEFT (32mm DIA.)
SILGBR090BL

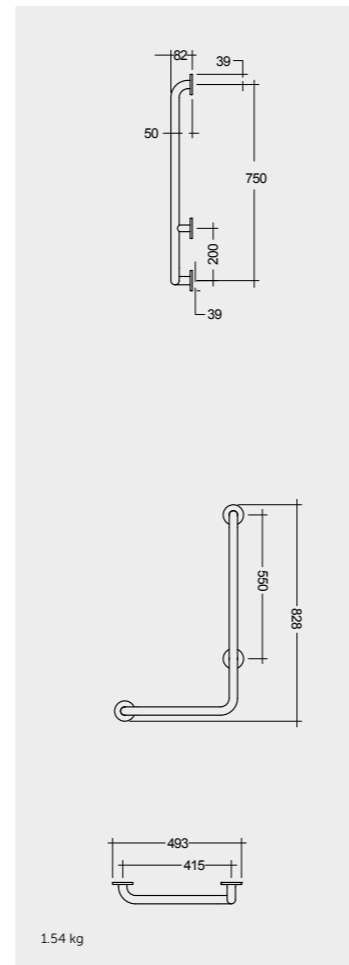
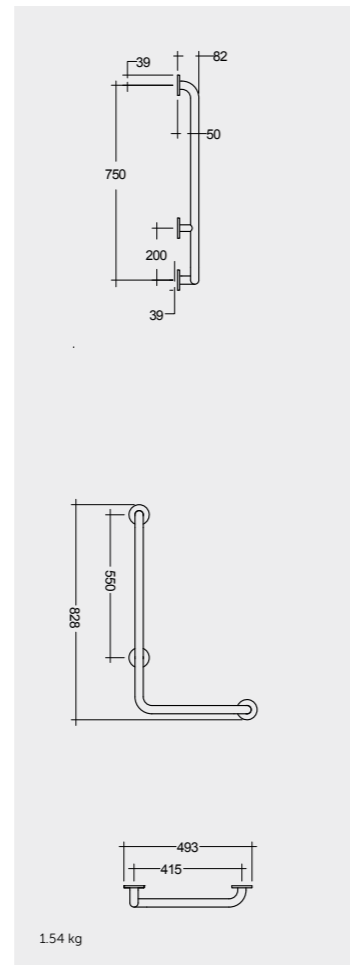
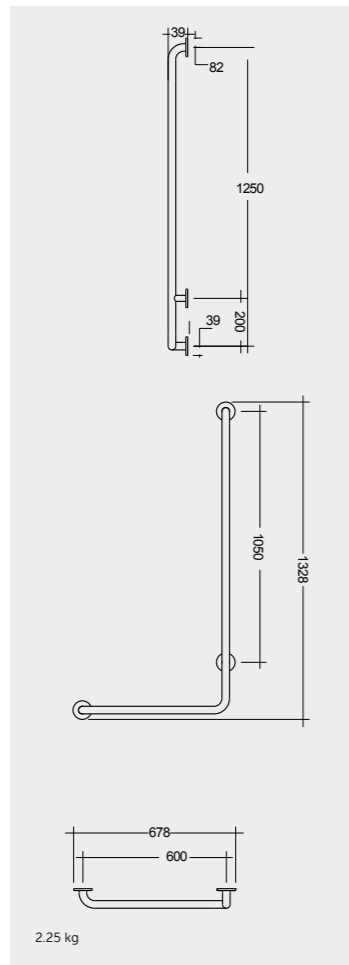
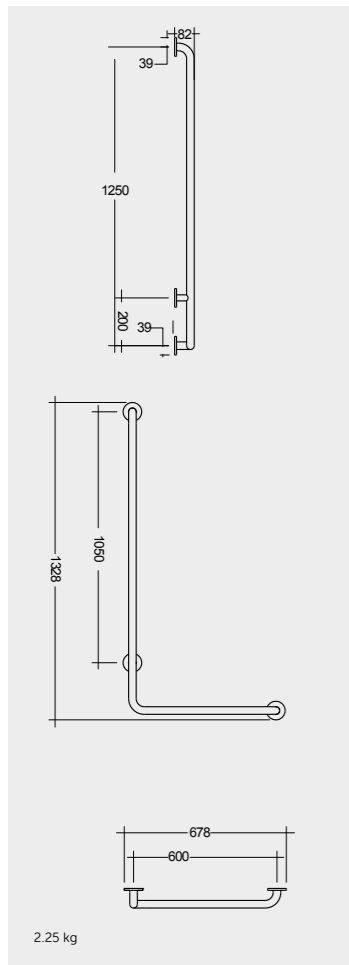


90° Angle BIG RIGHT (32mm DIA.)
SILGBR090SR



90° Angle BIG LEFT (32mm DIA.)
SILGBR090SL

Measurements | Misure | Dimensions | Abmessungen | Размеры



Note | Nota | Remarque | Hinweis | Примечание

All dimensions in mm tolerance $\pm 5\%$ for below 200mm and $\pm 3\%$ for above 200mm | Tutte le dimensioni hanno una tolleranza di $\pm 5\%$ mm al di sotto dei 200mm e di $\pm 3\%$ mm al di sopra dei 200mm | Toutes les dimensions en mm tolérance $\pm 5\%$ pour moins de 200mm et $\pm 3\%$ pour plus de 200mm/ Alle Abmessungen in mm, Toleranz $\pm 5\%$ für unter 200mm, und $\pm 3\%$ für über 200mm | Все размеры указаны в мм, погрешность $\pm 5\%$ ниже 200 мм и $\pm 3\%$ выше 200 мм



ROUGH POLISHING
FOR BETTER GRIP

RAK-SILVER / SHOWER SEATS & ACCESSORIES

Models | Modelli | Modèles | Modelle | Модели



SHOWER SEAT (Matt White)
SILFST00031



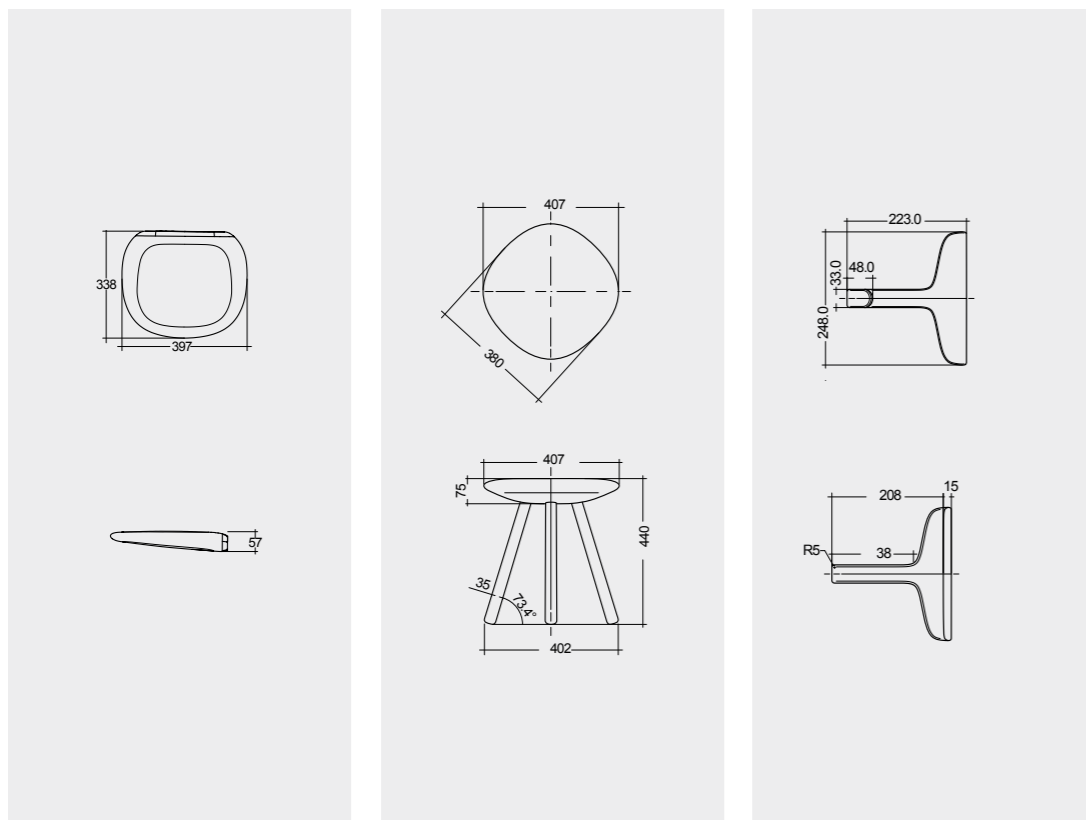
SHOWER STOOL (Matt White)
SILSST00041



ROBE HANGER & GLASS WIPE (Matt White)
SILRHR00051

Foldable

Measurements | Misure | Dimensions | Abmessungen | Размеры



Note | Nota | Remarque | Hinweis | Примечание

All dimensions in mm tolerance $\pm 5\%$ for below 200mm and $\pm 3\%$ for above 200mm | Tutte le dimensioni hanno una tolleranza di $\pm 5\%$ mm al di sotto dei 200mm e di $\pm 3\%$ mm al di sopra dei 200mm | Toutes les dimensions en mm tolérance $\pm 5\%$ pour moins de 200mm et $\pm 3\%$ pour plus de 200mm/ Alle Abmessungen in mm, Toleranz $\pm 5\%$ für unter 200mm, und $\pm 3\%$ für über 200mm | Все размеры указаны в мм, погрешность $\pm 5\%$ ниже 200 мм и $\pm 3\%$ выше 200 мм



RAK SILVER / SHOWER SEATS & ACCESSORIES



SPECIAL NEEDS
ESIGENZE SPECIALI
BESOINS SPÉCIAUX
BARRIEREFREIE PRODUKTE
СПЕЦИАЛЬНЫЕ НУЖДЫ

RAK-SPECIAL NEEDS

RAK-Special Needs bathroom suite has been created to provide comfortable convenience to customers with additional needs. Apart from its broad dimensions for comfortable use, the suite is also provided with support handles.

Special Needs is available in close coupled, back to wall and wall hung formats.

Il completo bagno **RAK-Special Needs** (esigenze speciali) è stato creato per fornire confortevolezza ai clienti con esigenze aggiuntive. Oltre alle sue ampie dimensioni per un uso confortevole, il completo è anche dotato di maniglie di sostegno.

Special Needs è disponibile nei formati monoblocco, a muro e sospeso.

Les salles de bains **RAK-Special Needs** ont été conçues pour offrir une commodité fonctionnelle aux consommateurs avec des besoins particuliers. En plus de ses grandes dimensions pour une utilisation fonctionnelle, cette salle de bains est également équipée de barres d'appui.

Ce modèle est disponible en formats monoblocs, dos au mur ou suspendus.

Die **RAK-Special Needs** Badezimmerausrüstung wurde mit Blick auf Komfort für Personen mit speziellen Ansprüchen entwickelt. Neben seiner breiten Dimensionen für dem komfortablen Einsatz verfügt die Ausstattung über Stützgriffe.

Special Needs ist in den Formaten geschlossen gekoppelte Rückwandmontage und zum Hängen an der Wand.

Комплект сантехники для ванной комнаты **Special Needs** создан для придания комфортных условий для пользователей с ограниченными возможностями. Он достаточно широкий и оснащён поддерживающими поручнями.

Комплект **Special Needs** доступен в доступен с пристенным и подвесным унитазами, а также с унитазом-компакт в цвете альпийский белый.



  50 CM
CO0601AWHA

  52 CM
SP18AWHA

Models | Modelli | Modèles | Modelle | Модели



50 CM
COWB00003



38 CM
COWB00001



Rimless
70 CM
COWC00010

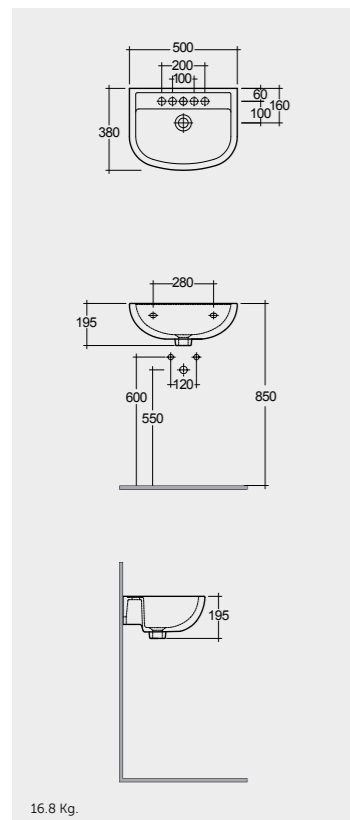


Rimless
70 CM
COWC00007



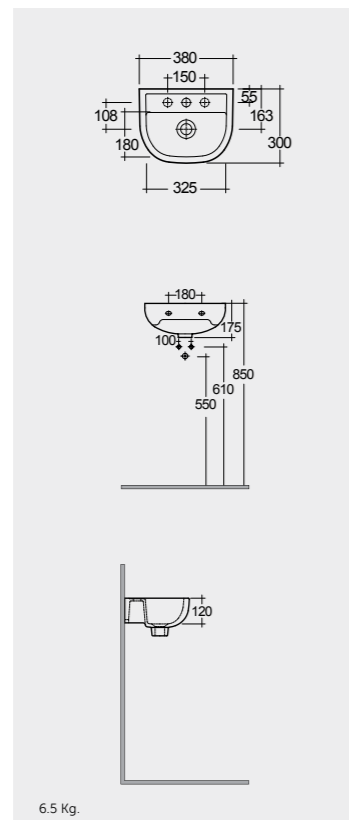
SET WITH MIXER (SHATAFF)
BRASS CHROME : SPRDOMX0001

Measurements | Misure | Dimensions | Abmessungen | Размеры



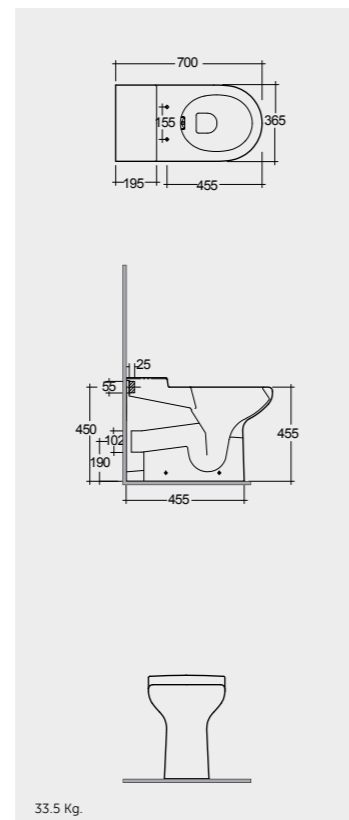
16.8 Kg.

Without Over Flow Hole



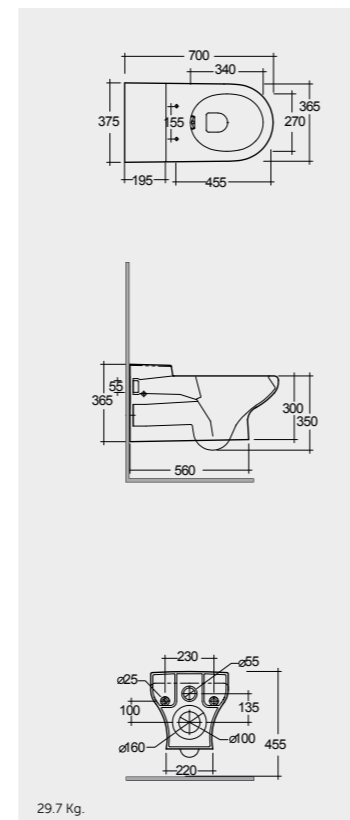
6.5 Kg.

Without Over Flow Hole



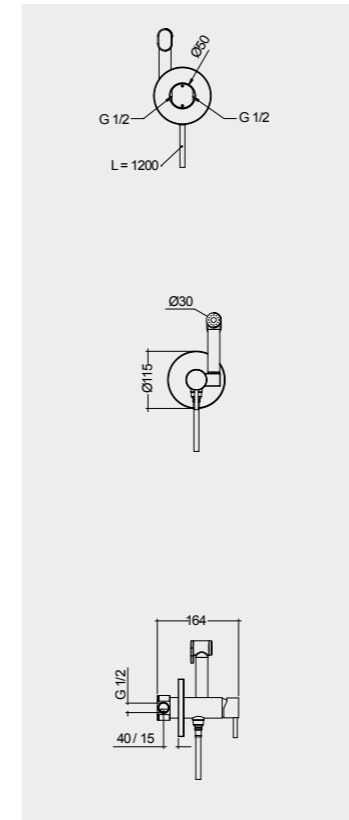
33.5 Kg.

Urea
COSC00005



29.7 Kg.

Urea
COSC00005



70 CM



70 CM
COWC00007

Note | Nota | Remarque | Hinweis | Примечание

All dimensions in mm tolerance $\pm 5\%$ for below 200mm and $\pm 3\%$ for above 200mm | Tutte le dimensioni hanno una tolleranza di $\pm 5\%$ mm al di sotto dei 200mm e di $\pm 3\%$ mm al disopra dei 200mm | Toutes les dimensions en mm tolérance $\pm 5\%$ pour moins de 200mm et $\pm 3\%$ pour plus de 200mm/ Alle Abmessungen in mm, Toleranz $\pm 5\%$ für unter 200mm, und $\pm 3\%$ für über 200mm | Все размеры указаны в мм, погрешность $\pm 5\%$ ниже 200 мм и $\pm 3\%$ выше 200 мм

RAK-BELLA DISABLED

A specialty bathroom suite designed exclusively for customers with additional needs, providing comfort and convenience. The suite is provided with durable support handles and is manufactured using the latest and most sophisticated technology.

RAK-Bella Disabled includes a wash basin and water closet in alpine white and ivory colour.

Una collezione da bagno speciale, progettata per i clienti con esigenze aggiuntive, che offre comfort e praticità. La collezione è dotata di maniglie di supporto ausiliari durevoli, ed è prodotta utilizzando la tecnologia più recente e sofisticata.

RAK-Bella Disabled include un lavabo e un WC in colore bianco alpino o bianco avorio.

Une collection de salle de bain spéciale, conçue pour les clients ayant des besoins supplémentaires, offrant confort et praticité. La collection comprend des poignées de soutien auxiliaires durables et est fabriquée à l'aide de la technologie la plus récente et la plus sophistiquée.

RAK-Bella Disabled comprend un lavabo et des toilettes en blanc alpin ou blanc ivoire.

Eine spezielle Badkollektion für Kunden mit zusätzlichen Bedürfnissen, die Komfort und Funktionalität bietet. Die Kollektion umfasst langlebige Hilfstützengriffe und wird mit der neuesten und modernsten Technologie hergestellt.

RAK-Bella Disabled umfasst ein Waschbecken und eine Toilette in Alpinweiß oder Elfenbeinweiß.

Специализированный люксовый сет для ванной комнаты разработан исключительно для клиентов с дополнительными потребностями, обеспечивающий комфорт и удобство. Специализированный сет снабжен прочными опорными ручками и изготовлен с использованием новейших и передовых технологий.

RAK-Bella Disabled включает в себя умывальник и унитаз в альпийском белом цвете и цвете слоновой кости.



RAK-BELLA DISABLED

Models | Modelli | Modèles | Modelle | Модели



61 CM
BEWB00001



52 CM
BEWC00003



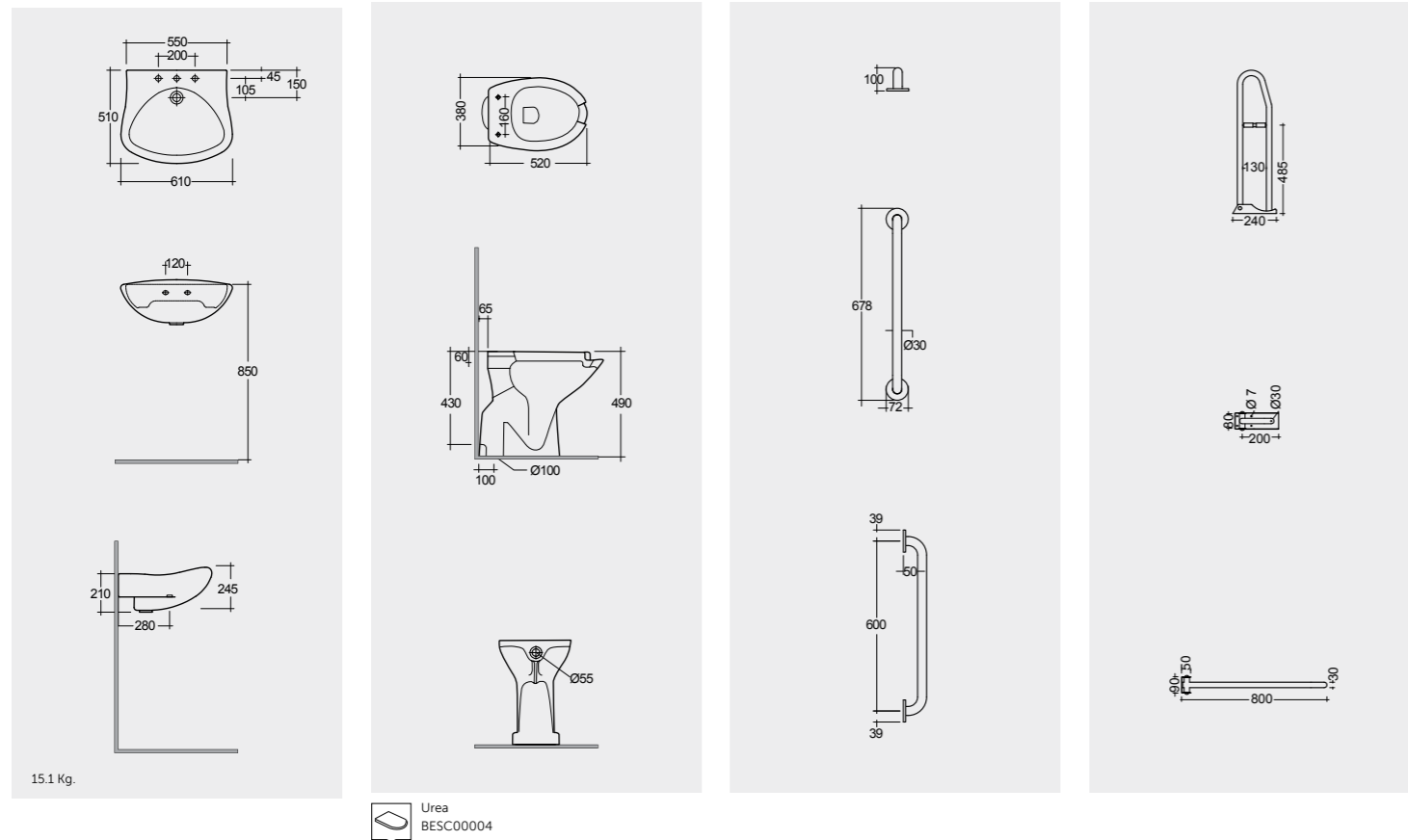
600mm (30mm DIA.)
XXWB00004



850mm (30mm DIA.)
XXWC00004

Foldable
without paper roll holder: (XXWC00005)

Measurements | Misure | Dimensions | Abmessungen | Размеры



Note | Nota | Remarque | Hinweis | Примечание

All dimensions in mm tolerance $\pm 5\%$ for below 200mm and $\pm 3\%$ for above 200mm | Tutte le dimensioni hanno una tolleranza di $\pm 5\%$ mm al di sotto dei 200mm e di $\pm 3\%$ mm al di sopra dei 200mm | Toutes les dimensions en mm tolérance $\pm 5\%$ pour moins de 200mm et $\pm 3\%$ pour plus de 200mm/ Alle Abmessungen in mm, Toleranz $\pm 5\%$ für unter 200mm, und $\pm 3\%$ für über 200mm | Все размеры указаны в мм, погрешность $\pm 5\%$ ниже 200 мм и $\pm 3\%$ выше 200 мм



ROUGH POLISHING
FOR BETTER GRIP

FOR FULL RANGE OF GRAB BARS SEE PAGE: 330

CHILDREN SUITES

SANITARI PER BAMBINI
SANITAIRES POUR ENFANTS
KINDER AUSFÜHRUNGEN
ДЕТСКИЕ КОМПЛЕКТЫ



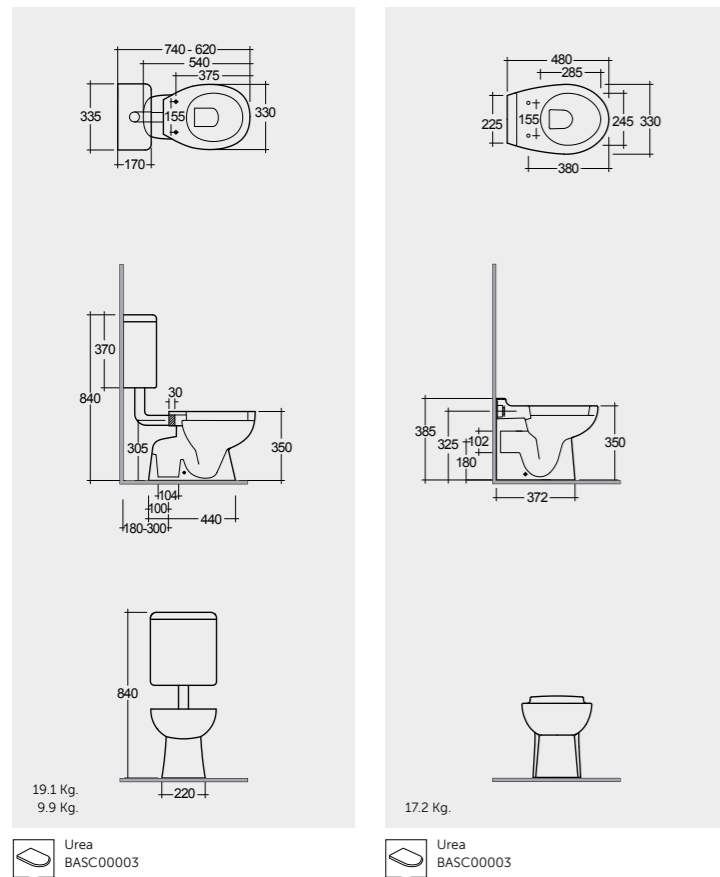
Models | Modelli | Modèles | Modelle | Модели



54 CM
BAWC00001

48 CM
BAWC00002

Measurements | Misure | Dimensions | Abmessungen | Размеры



19.1 Kg.
9.9 Kg.

17.2 Kg.

Urea
BASC00003

Urea
BASC00003



38 CM 54 CM

Note | Nota | Remarque | Hinweis | Примечание

All dimensions in mm tolerance $\pm 5\%$ for below 200mm and $\pm 3\%$ for above 200mm | Tutte le dimensioni hanno una tolleranza di $\pm 5\%$ mm al di sotto dei 200mm e di $\pm 3\%$ mm al disopra dei 200mm | Toutes les dimensions en mm tolérance $\pm 5\%$ pour moins de 200mm et $\pm 3\%$ pour plus de 200mm/ Alle Abmessungen in mm, Toleranz $\pm 5\%$ für unter 200mm, und $\pm 3\%$ für über 200mm | Все размеры указаны в мм, погрешность $\pm 5\%$ ниже 200 мм и $\pm 3\%$ выше 200 мм

URINALS & PARTITIONS
ORINATOI E PARTIZIONI
URINOIR & SÉPARATION
URINAL UN DABTRENN
ПИССУАРЫ И ПЕРЕГОРОДКИ

Waterless urinal

RAK-Venice is a urinal perfectly functioning with no use of water: we call it Waterless.

RAK Ceramic's Waterless system is unlike any other dry valve in the market, helping to: eliminate restroom odors, provide the most robust flow rate, make maintenance and clean up easier, and provide a more hygienic solution in the restroom. The maintenance of our Waterless system is easy and fast, the green visual indicator is made of biodegradable ingredients that inform when it's time to change out your cartridge (approx. 7500 uses).

RAK-Venice e' un orinatoio perfettamente igienico senza l'uso dell'acqua. Per questo lo chiamiamo **Waterless**. Il Sistema Rak Ceramics Waterless non e' come tutte le altre valvole a secco disponibili sul mercato e permette di: eliminare gli odori, fornire il piu' alto volume di scarico, facilitare la pulizia e manutenzione e in generale fornire una soluzione piu' igienica al bagno pubblico. La manutenzione e' semplice e veloce, l'indicatore verde in materiale biodegradabile segnala quando e' necessario sostituire la ricarica (circa 7500 utilizzi).

RAK-Venice est un urinoir parfaitement hygienique, sans eau. Pour cette raison, nous l'appelons **Waterless**. Le systeme Rak Ceramics Waterless n'est pas comme toutes les autres vanes a sec disponibles sur le marche et permet: d'eliminer les odeurs, de fournir le plus haut volume de chasse d'eau, de faciliter le nettoyage et l'entretien et, en general, de fournir une solution plus hygienique d'une salle de bains publique. L'entretien est simple et rapide, l'indicateur vert en materiel biodegradable signale quand il est necessaire de remplacer le recharge. (environ 7500 utilisations).

RAK-Venice ist ein perfekt hygienisches, wasserloses Urinal. Aus diesem Grund nennen wir es **Waterless**. Das System Rak Ceramics Waterless ist nicht wie alle anderen, auf dem Markt erhältlichen Ventillüftungen und ermöglicht: Gerüche zu eliminieren, die größtmögliche Spülung zu leisten, die Reinigung und Instandhaltung zu erleichtern, und, im Allgemeinen, eine Lösung zu liefern, die hygienischer ist als ein öffentliches Bad. Die Instandhaltung ist einfach und schnell, die grüne Anzeige aus bioabbaubarem Material signalisiert wenn es notwendig ist, wieder aufzufüllen. (ungefähr 7500 mal verwendbar).

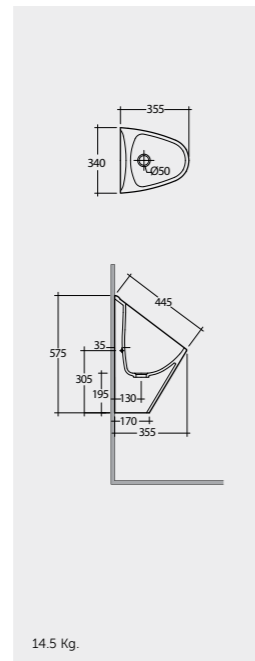
Писсуар RAK-Venice прекрасно работает без использования воды: мы называем такие устройства **Waterless**. RAK Ceramics Waterless отличается от любых других систем с сухим гидрозатвором на рынке. Это более гигиеничное решение для туалета, которое позволяет устранять запахи в туалете, а также обеспечивает максимальную скорость стока, качественное техническое обслуживание и очистку. Наша система Waterless проста в обслуживании, зеленый индикатор выполнен из биоразлагаемых компонентов. С его помощью вы будете знать, когда уже пора менять картридж (примерно после 7500 использований).



RAK-Venice Waterless



Waterless

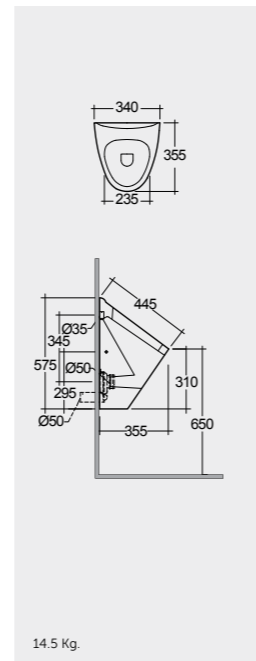


14.5 Kg.

35 CM
VEUB00002
Trap XXUB00001

Waterless Urinal
Orinatoio Senza Acqua
Urinoir sans eau
wass erlos es Urinal
Безводный Писсуар

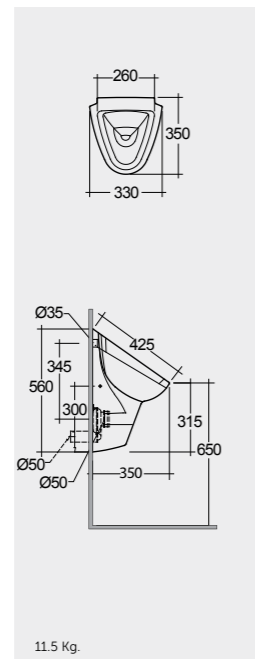
RAK-Venice



14.5 Kg.

35 CM
VN20AWHA

RAK- Phoenix

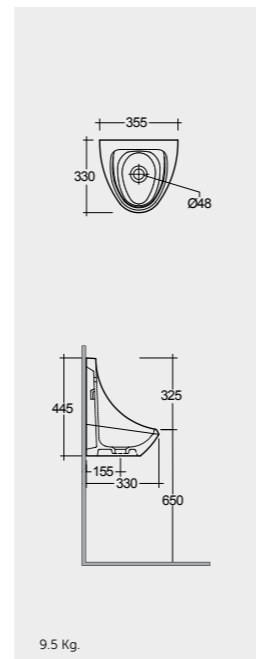


11.5 Kg.

35 CM
PHUB00001

Electronic Sensor Urinal Flush
Orinatoio Con Scarico A Sensore Elettronico
Urinoir A Capteur Electronique
Elektronischer Sensor Zur Spülung Des Urinals
Электронный Датчик Смыва Писсуара

RAK- Jazira



9.5 Kg.

33 CM
JAUB00001
Urinal tap with handle XXUB00003



RAK-Ecofix range includes urinal electronic sensor system (Page 504). The sensor automatically flushes the individual urinal after use, ensuring the highest level of hygiene from the minimum volume of water.

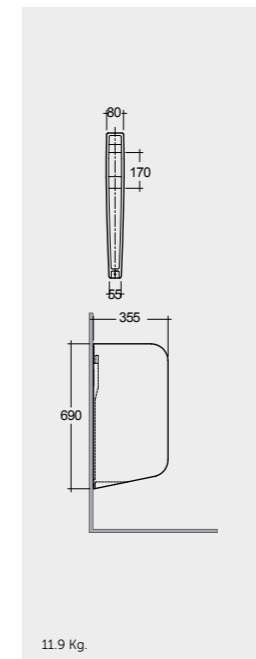
La gamma RAK-Ecofix comprende i sensori di risciacquo elettronici per orinatoio (Pagina 504). I sensori consentono il risciacquo automatico dell'orinatoio dopo l'uso, garantendo il massimo livello di igiene ed il minimo consumo d'acqua.

La gamme de RAK-Ecofix comprend également un système de capteurs électronique pour les pisseoirs (Page 504). Le capteur rince le pisseoir automatiquement, après l'usage, et garantit ainsi en même temps une hygiène maximale et une consommation d'eau minimale.

Die Palette von RAK-Ecofix umfasst ebenfalls ein elektronisches Sensorsystem für Pisseoirs (Seite 504). Der Sensor spült das Pisseoir automatisch nach dem Gebrauch, und gewährleistet somit ein Maximum an Hygiene bei minimalem Wasserverbrauch.

Серия RAK-Ecofix включает в себя электронные датчики писсуаров (504). Датчик позволяет автоматически осуществлять смыв в писсуаре после каждого использования, обеспечивая максимальный уровень гигиены при минимальном расходе воды.

RAK- Urinal Partition



11.9 Kg.

URINAL PARTITION 35 CM SE20AWHA

SQUATTING PANS, CISTERNS

TURCHE & CISTERNE

TURQUE & RÉSERVOIRS

НОСКЕНВАННЕН & ZISTERNEN

НАПОЛЬНЫЙ УНИТАЗ

(ПРЕДПОЛАГАЮЩИЙ СИДЕНИЕ
НА КОРТОЧКАХ И ОТВЕРСТИЕ

В ПОЛУ)И БАЧОК

RAK-SQUATTING PAN AND CISTERN

Models | Modelli | Modèles | Modelle | Модели

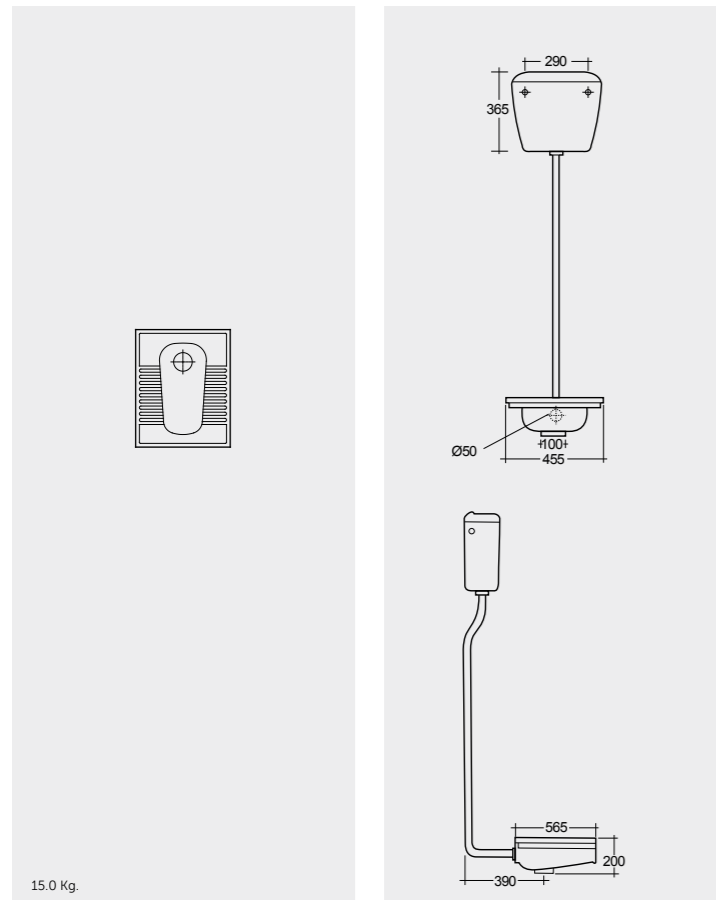


ASWC00001



ASWT00001

Measurements | Misure | Dimensions | Abmessungen | Размеры



18 CM

Note | Nota | Remarque | Hinweis | Примечание

All dimensions in mm tolerance $\pm 5\%$ for below 200mm and $\pm 3\%$ for above 200mm | Tutte le dimensioni hanno una tolleranza di $\pm 5\%$ mm al di sotto dei 200mm e di $\pm 3\%$ mm al di sopra dei 200mm | Toutes les dimensions en mm tolérance $\pm 5\%$ pour moins de 200mm et $\pm 3\%$ pour plus de 200mm/ Alle Abmessungen in mm, Toleranz $\pm 5\%$ für unter 200mm, und $\pm 3\%$ für über 200mm | Все размеры указаны в мм, погрешность $\pm 5\%$ ниже 200 мм и $\pm 3\%$ выше 200 мм



TECHNICAL ACCESSORIES
SIFONEI & DOCCETTE BIDET
SIPHONS & BIDETS-DOUCHES
SIPHONS & DUSHEN BIDET
ЛОВУШКИ ДЛЯ БУТЫЛОЧЕК И
НАБОРЫ СПРЕЯ ДЛЯ ДУША

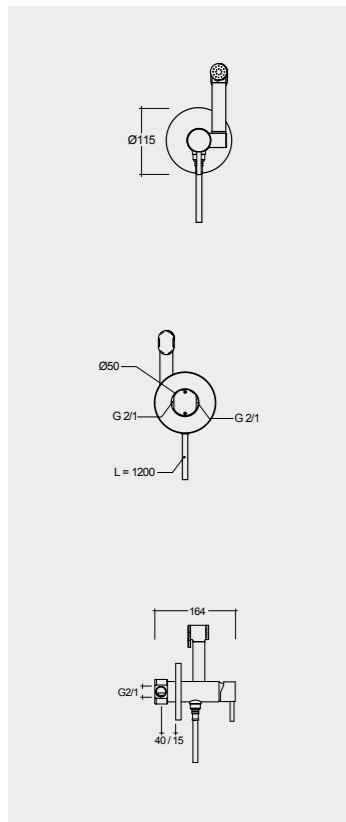
RAK-DUO / SPRAY DOUCHE SETS (SHATAFF)

Models | Modelli | Modèles | Modelle | Модели



SET WITH MIXER (SHATAFF)
BRASS CHROME : SPRDOMX0001

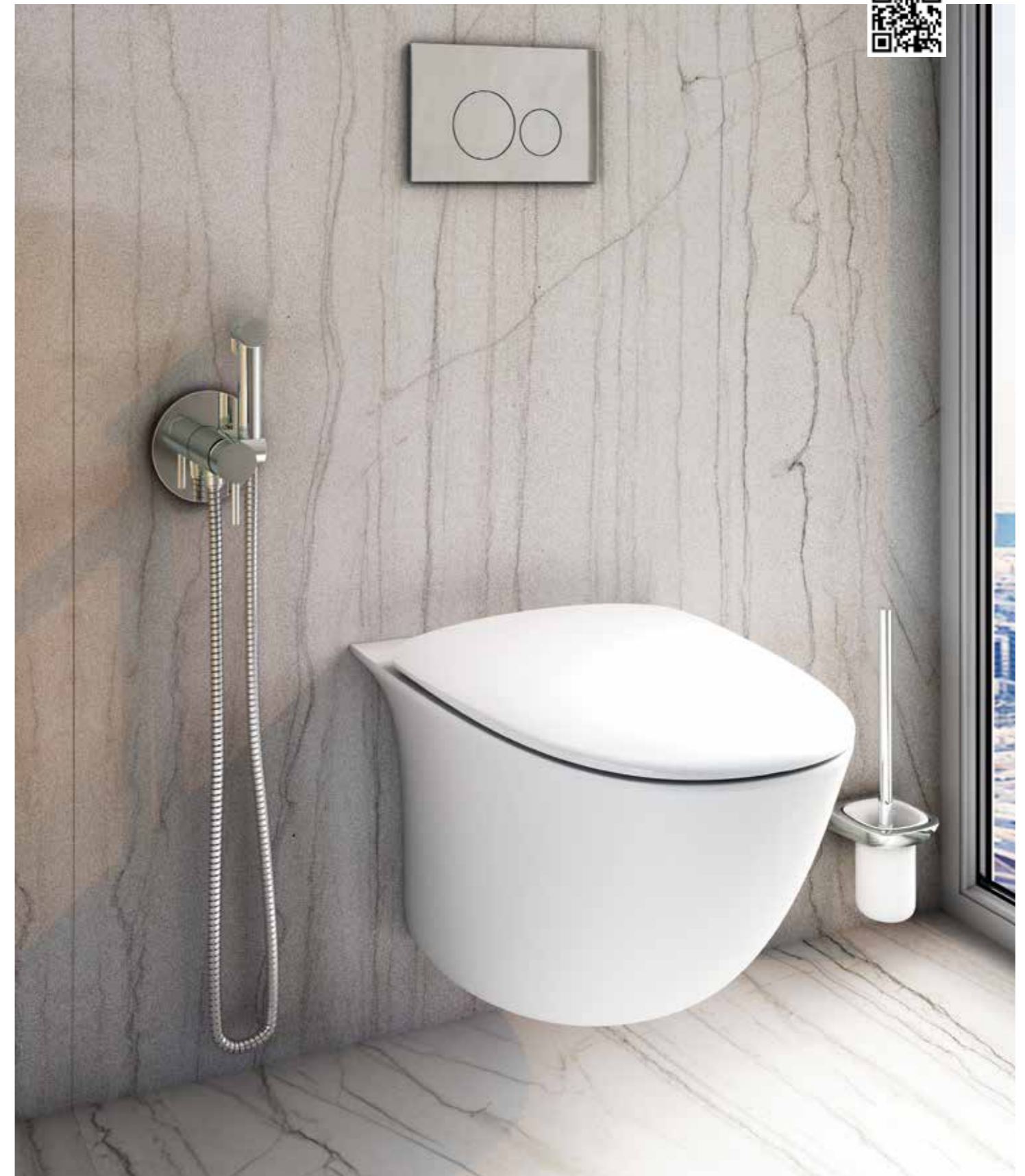
Measurements | Misure | Dimensions |
Abmessungen | Размеры



SET WITH MIXER (SHATAFF)
BRASS CHROME : SPRDOMX0001

Note | Nota | Remarque | Hinweis | Примечание

All dimensions in mm tolerance $\pm 5\%$ for below 200mm and $\pm 3\%$ for above 200mm | Tutte le dimensioni hanno una tolleranza di $\pm 5\%$ mm al di sotto dei 200mm e di $\pm 3\%$ mm al di sopra dei 200mm | Toutes les dimensions en mm tolérance $\pm 5\%$ pour moins de 200mm et $\pm 3\%$ pour plus de 200mm/ Alle Abmessungen in mm, Toleranz $\pm 5\%$ für unter 200mm, und $\pm 3\%$ für über 200mm | Все размеры указаны в мм, погрешность $\pm 5\%$ ниже 200 мм и $\pm 3\%$ выше 200 мм



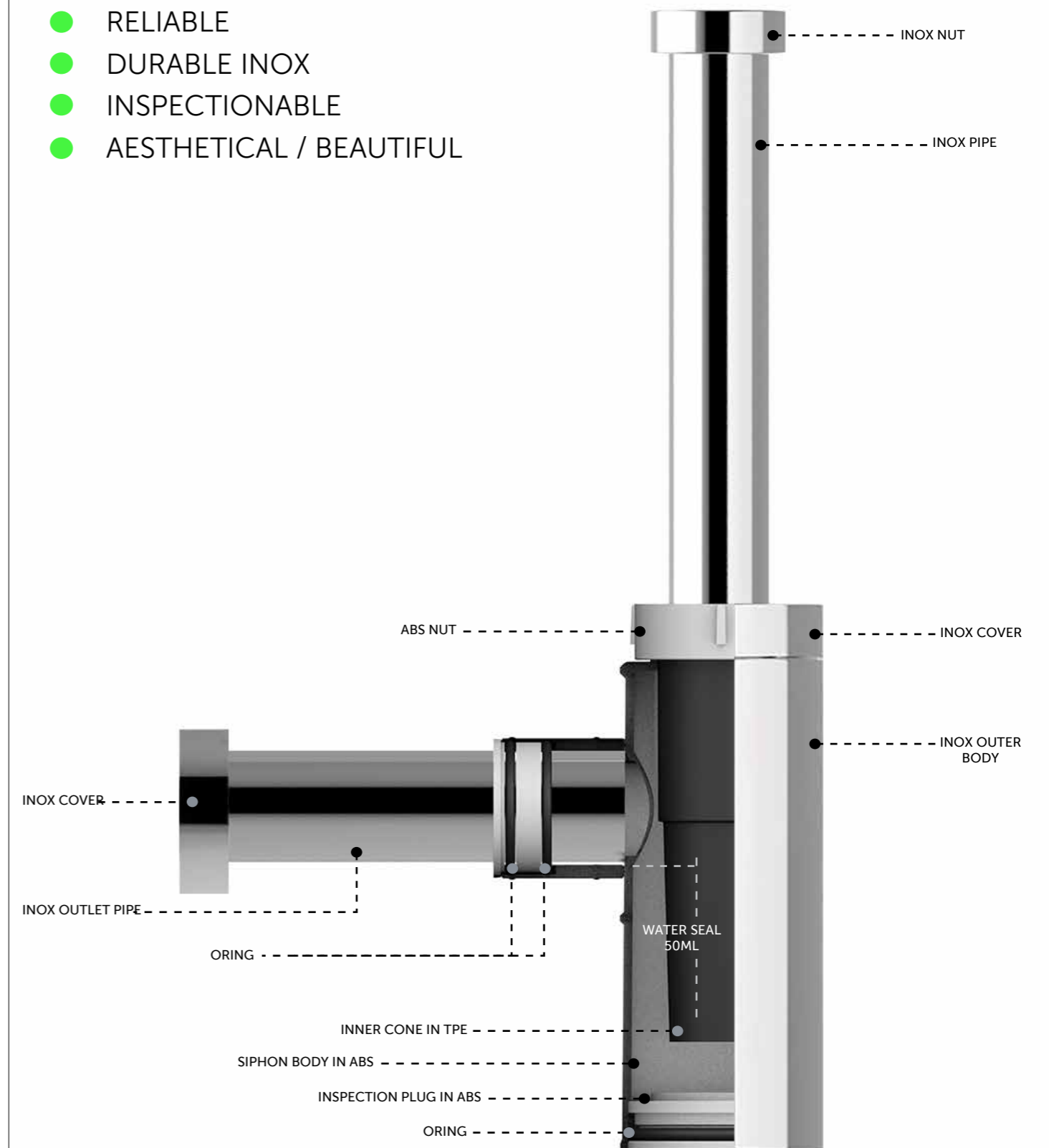
DUO-COMPONENT WASHERS

Our DUO-COMPONENT washers guarantee a maximum seal to prevent leakage and an ideal rigidity to keep the shape of the washer intact.



INOX VERSION BENEFITS

- RELIABLE
- DURABLE INOX
- INSPECTIONABLE
- AESTHETICAL / BEAUTIFUL



RAK-DUO / BOTTLE TRAPS FOR WASHBASINS & BIDETS

Models | Modelli | Modèles | Modelle | Модели



FOR WASH BASIN
INOX CHROME : BTRWBSST001

Inspectionable



FOR WASH BASIN
ABS CHROME: BTRWBABS002

Inspectionable



FOR BIDET
ABS CHROME : BTRBDABS010

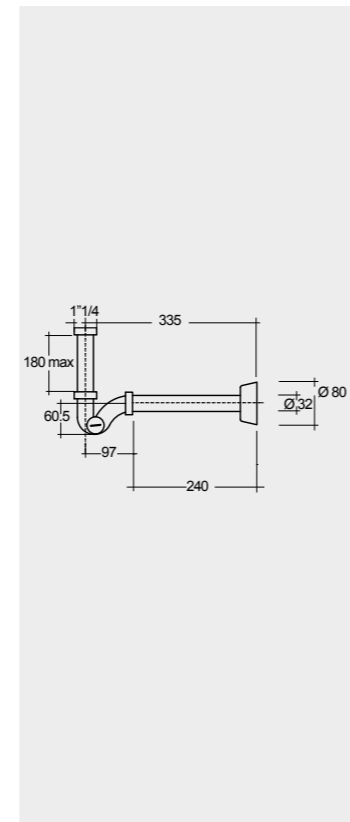
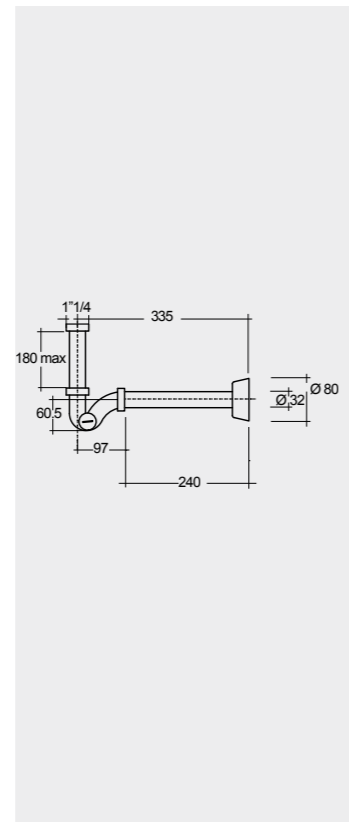
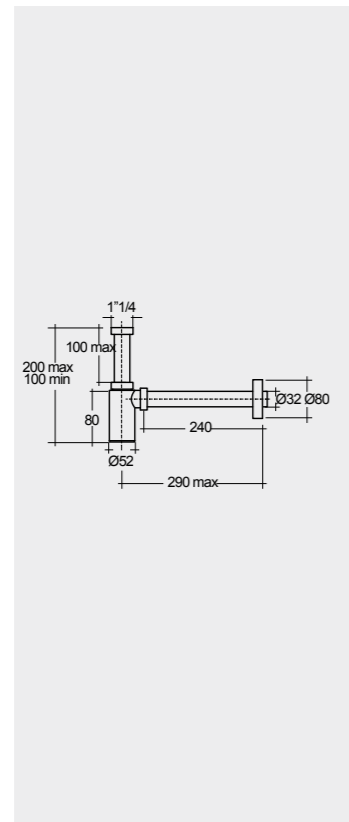
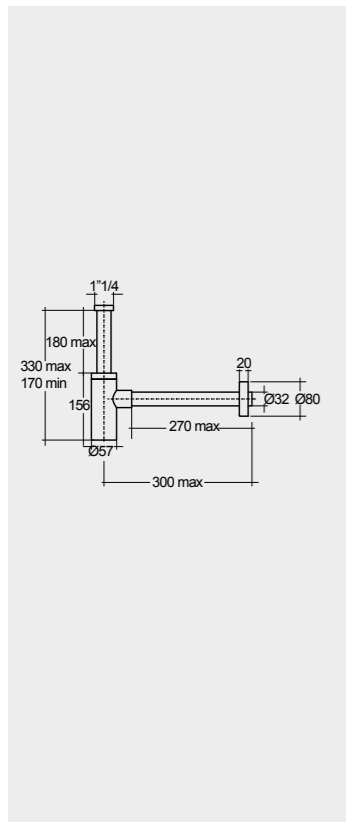
Inspectionable



FOR BIDET
PP WHITE : BTRBDPPR011

Inspectionable

Measurements | Misure | Dimensions | Abmessungen | Размеры



Note | Nota | Remarque | Hinweis | Примечание

All dimensions in mm tolerance $\pm 5\%$ for below 200mm and $\pm 3\%$ for above 200mm | Tutte le dimensioni hanno una tolleranza di $\pm 5\%$ mm al di sotto dei 200mm e di $\pm 3\%$ mm al di sopra dei 200mm | Toutes les dimensions en mm tolérance $\pm 5\%$ pour moins de 200mm et $\pm 3\%$ pour plus de 200mm/ Alle Abmessungen in mm, Toleranz $\pm 5\%$ für unter 200mm, und $\pm 3\%$ für über 200mm | Все размеры указаны в мм, погрешность $\pm 5\%$ ниже 200 мм и $\pm 3\%$ выше 200 мм



RAK-DUO / BOTTLE TRAPS FOR VANITY

Models | Modelli | Modèles | Modelle | Модели



FOR VANITY (RAK-JOY)
PP WHITE : BTRWBPPR021

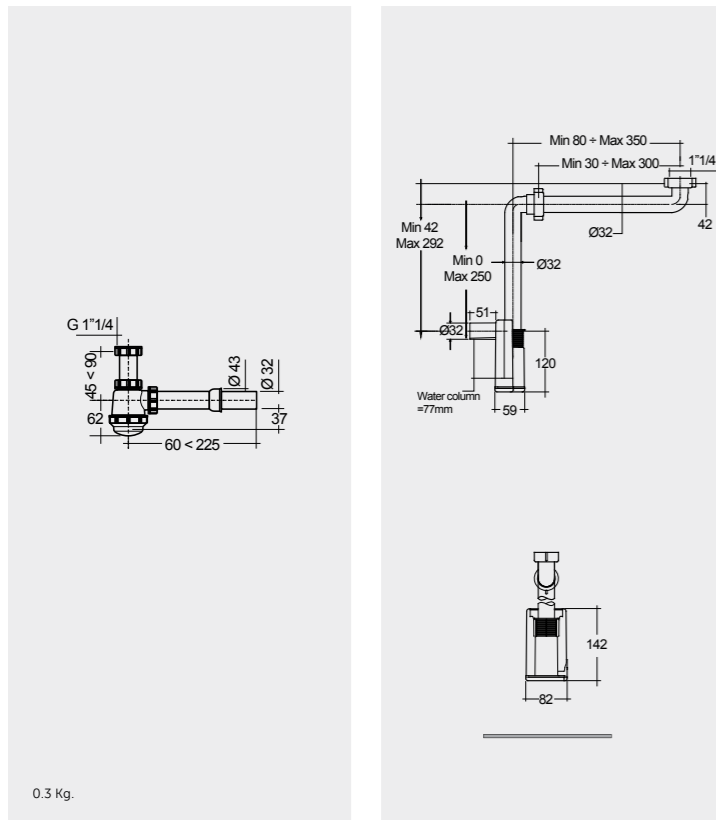
Inspectionable
Compact Height



FOR VANITY (RAK-JOY UNO)
PP WHITE : BTRWBPPR022

Inspectionable
Space Saving

Measurements | Misure | Dimensions | Abmessungen | Размеры



Note | Nota | Remarque | Hinweis | Примечание

All dimensions in mm tolerance $\pm 5\%$ for below 200mm and $\pm 3\%$ for above 200mm | Tutte le dimensioni hanno una tolleranza di $\pm 5\%$ mm al di sotto dei 200mm e di $\pm 3\%$ mm al di sopra dei 200mm | Toutes les dimensions en mm tolérance $\pm 5\%$ pour moins de 200mm et $\pm 3\%$ pour plus de 200mm/ Alle Abmessungen in mm, Toleranz $\pm 5\%$ für unter 200mm, und $\pm 3\%$ für über 200mm | Все размеры указаны в мм, погрешность $\pm 5\%$ ниже 200 мм и $\pm 3\%$ выше 200 мм



FOR VANITY
PP WHITE : BTRWBPPR021

RAK-DUO / BOTTLE TRAPS FOR FREESTANDING

Models | Modelli | Modèles | Modelle | Модели



FOR FREESTANDING WASHBASINS
PP WHITE : BTRWBPPR020



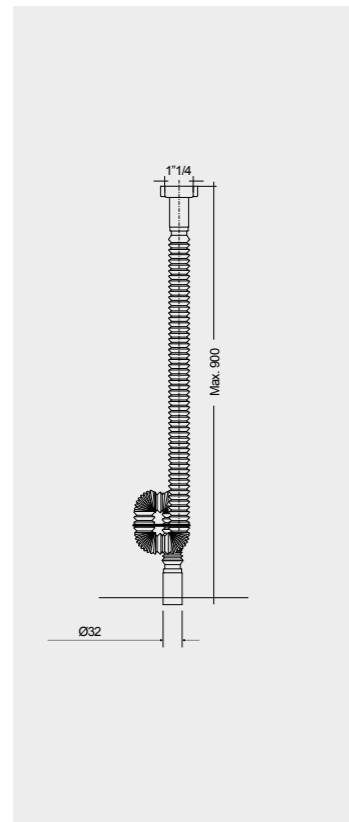
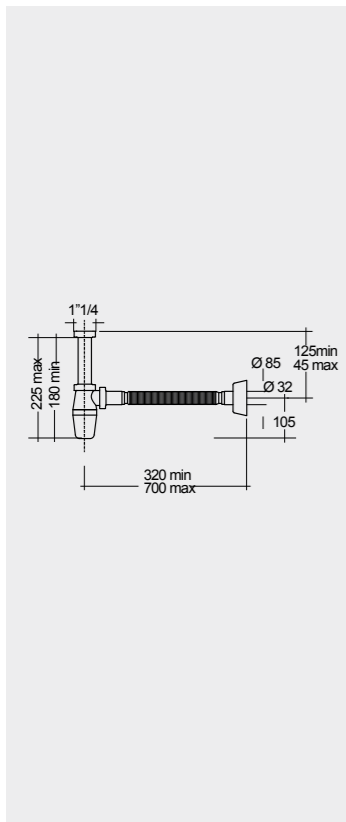
FOR FLOOR OUTLET WASH BASIN
PP WHITE : BTRFSPPR001

With Flexible Hose

With Siphon Clip Holder

Inspectionable

Measurements | Misure | Dimensions | Abmessungen | Размеры



Note | Nota | Remarque | Hinweis | Примечание

All dimensions in mm tolerance $\pm 5\%$ for below 200mm and $\pm 3\%$ for above 200mm | Tutte le dimensioni hanno una tolleranza di $\pm 5\%$ mm al di sotto dei 200mm e di $\pm 3\%$ mm al disopra dei 200mm | Toutes les dimensions en mm tolérance $\pm 5\%$ pour moins de 200mm et $\pm 3\%$ pour plus de 200mm/ Alle Abmessungen in mm, Toleranz $\pm 5\%$ für unter 200mm, und $\pm 3\%$ für über 200mm | Все размеры указаны в мм, погрешность $\pm 5\%$ ниже 200 мм и $\pm 3\%$ выше 200 мм



RAK-DUO / CLICK-CLACK WASTES

Models | Modelli | Modèles | Modelle | Модели



FOR WASHBASIN
CHROME : DUO000444

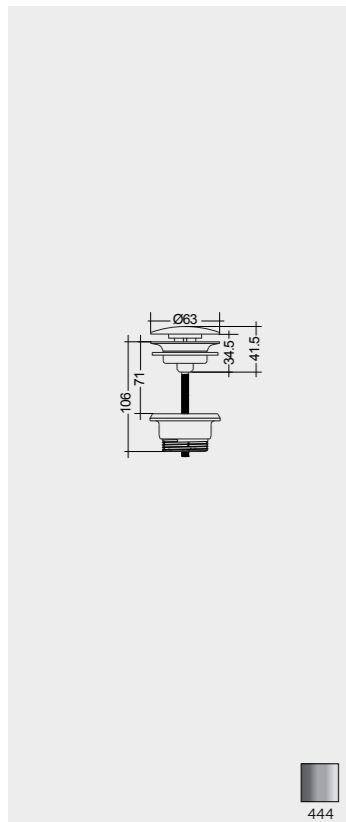


FOR WASHBASIN
ALPINE WHITE: DUO000AWH

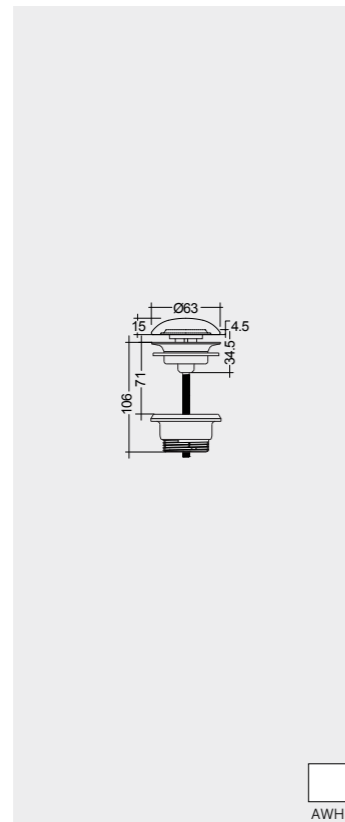


FOR WASHBASIN
MATT COLOUR: DUO000505A

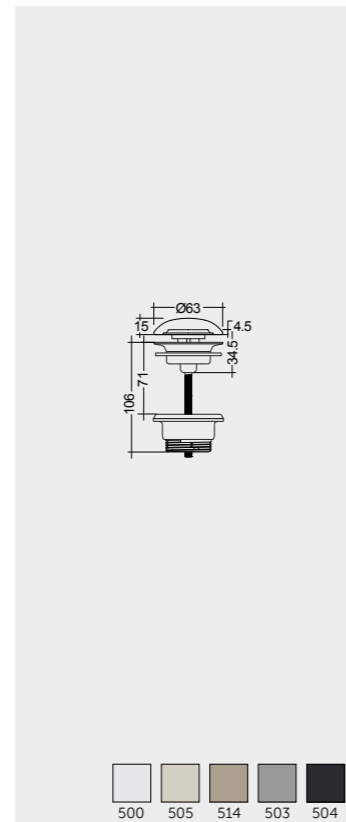
Measurements | Misure | Dimensions | Abmessungen | Размеры



444



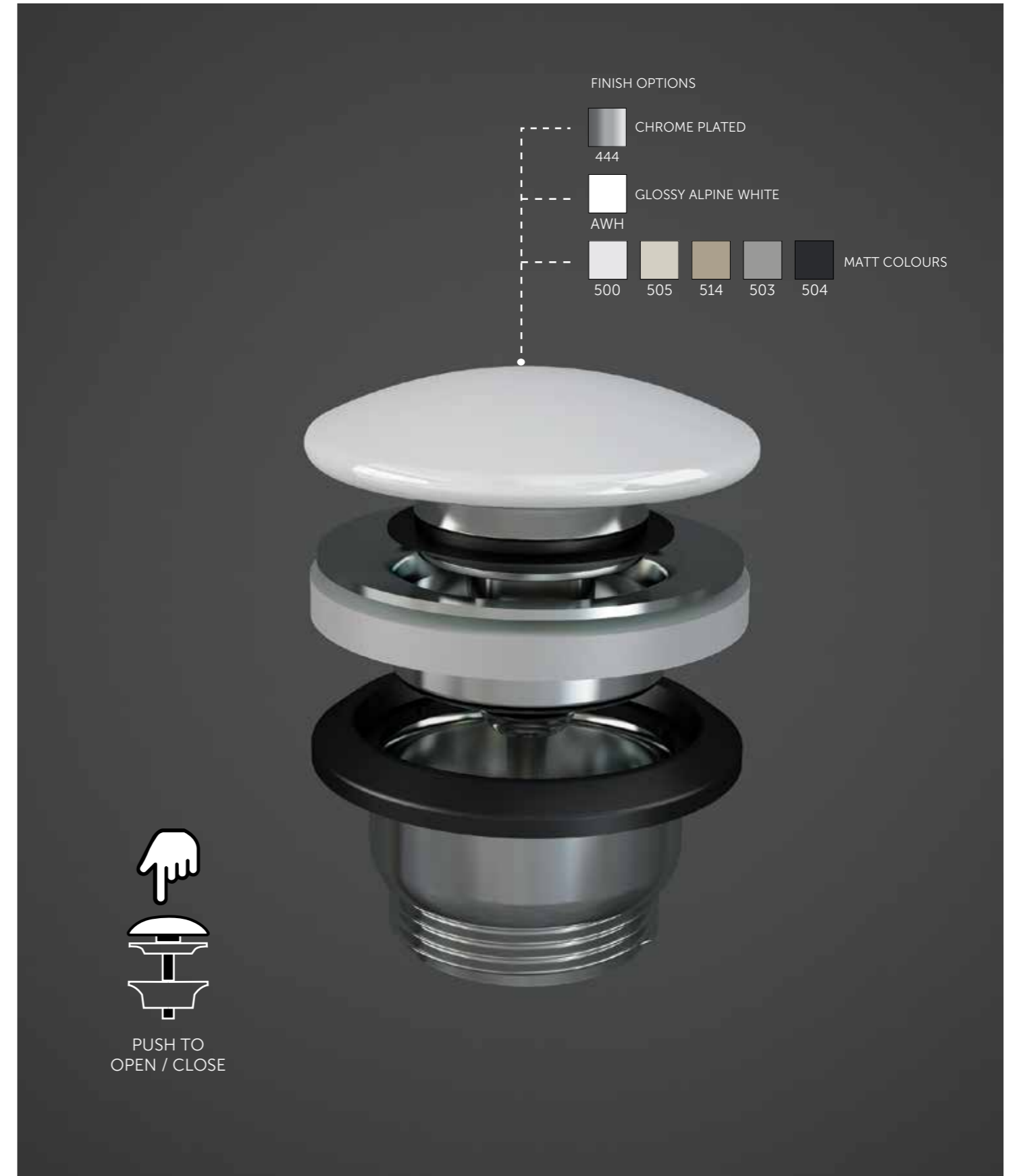
AWH



500 505 514 503 504

Note | Nota | Remarque | Hinweis | Примечание

All dimensions in mm tolerance $\pm 5\%$ for below 200mm and $\pm 3\%$ for above 200mm | Tutte le dimensioni hanno una tolleranza di $\pm 5\%$ mm al di sotto dei 200mm e di $\pm 3\%$ mm al di sopra dei 200mm | Toutes les dimensions en mm tolérance $\pm 5\%$ pour moins de 200mm et $\pm 3\%$ pour plus de 200mm/ Alle Abmessungen in mm, Toleranz $\pm 5\%$ für unter 200mm, und $\pm 3\%$ für über 200mm | Все размеры указаны в мм, погрешность $\pm 5\%$ ниже 200 мм и $\pm 3\%$ выше 200 мм



FINISH OPTIONS

CHROME PLATED
444

GLOSSY ALPINE WHITE
AWH

MATT COLOURS
500 505 514 503 504

PUSH TO
OPEN / CLOSE

RAK-DUO / FREE-FLOW WASTES

Models | Modelli | Modèles | Modelle | Модели



FOR WASHBASIN
CHROME : DUO000444

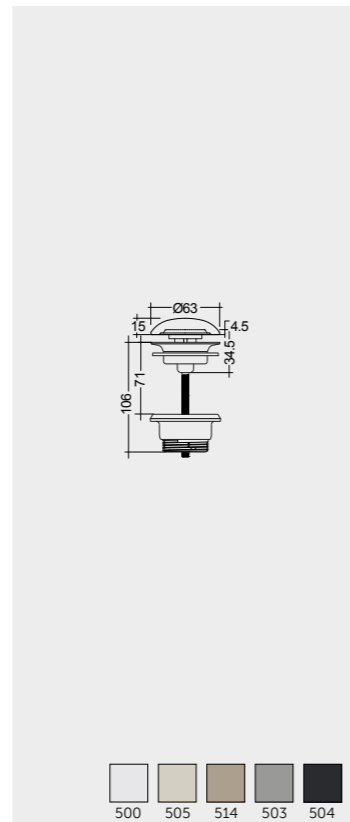
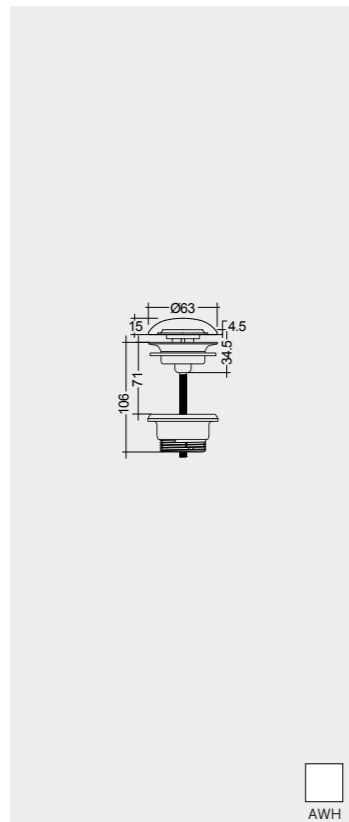
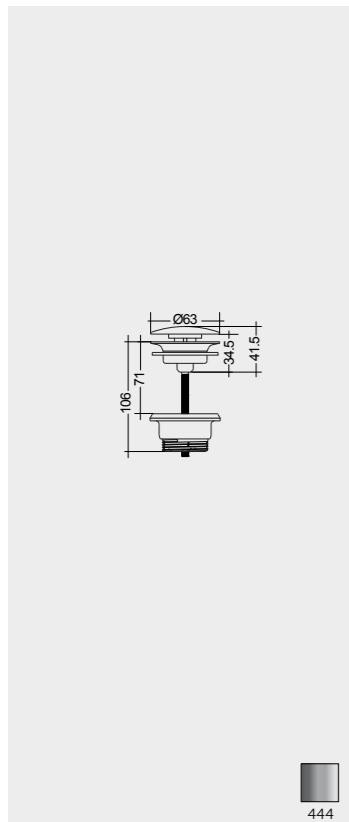


FOR WASHBASIN
ALPINE WHITE: DUO000AWHA



FOR WASHBASIN
MATT COLOUR: DUO000505A

Measurements | Misure | Dimensions | Abmessungen | Размеры



Note | Nota | Remarque | Hinweis | Примечание

All dimensions in mm tolerance $\pm 5\%$ for below 200mm and $\pm 3\%$ for above 200mm | Tutte le dimensioni hanno una tolleranza di $\pm 5\%$ mm al di sotto dei 200mm e di $\pm 3\%$ mm al di sopra dei 200mm | Toutes les dimensions en mm tolérance $\pm 5\%$ pour moins de 200mm et $\pm 3\%$ pour plus de 200mm/ Alle Abmessungen in mm, Toleranz $\pm 5\%$ für unter 200mm, und $\pm 3\%$ für über 200mm | Все размеры указаны в мм, погрешность $\pm 5\%$ ниже 200 мм и $\pm 3\%$ выше 200 мм



FURNITURE
MOBILI DA BAGNO
MEUBLES DE SALLE
BADEZIMMERMÖBEL
МЕБЕЛЬ

We play our role for a better environment and society

Sustainability in every sphere of business is one of the main elements of RAK Ceramics mission statement. The company is committed to practicing environmental stewardship throughout its manufacturing chain – from product design and efficient operations processes – and to playing an active role in building a better community by enhancing the surrounding environment. Organization's activities improve energy efficiency, reduce pollution, enhance biodiversity and improve the quality of life for both people in the communities it operates in and for its workforce. It recycles natural raw materials to help conserve natural resources and adopts clean development mechanism (cdm) projects to reduce carbon emissions during the manufacturing process.

RAK Ceramics is the first ceramics manufacturing company in its region to produce a global reporting initiative (GRI) sustainability and corporate social responsibility (CSR) report, based on the latest GRI-g4 guidelines. RAK Ceramics is a founding member of Emirates Green Building Council, which supports the development of sustainable buildings in the UAE.

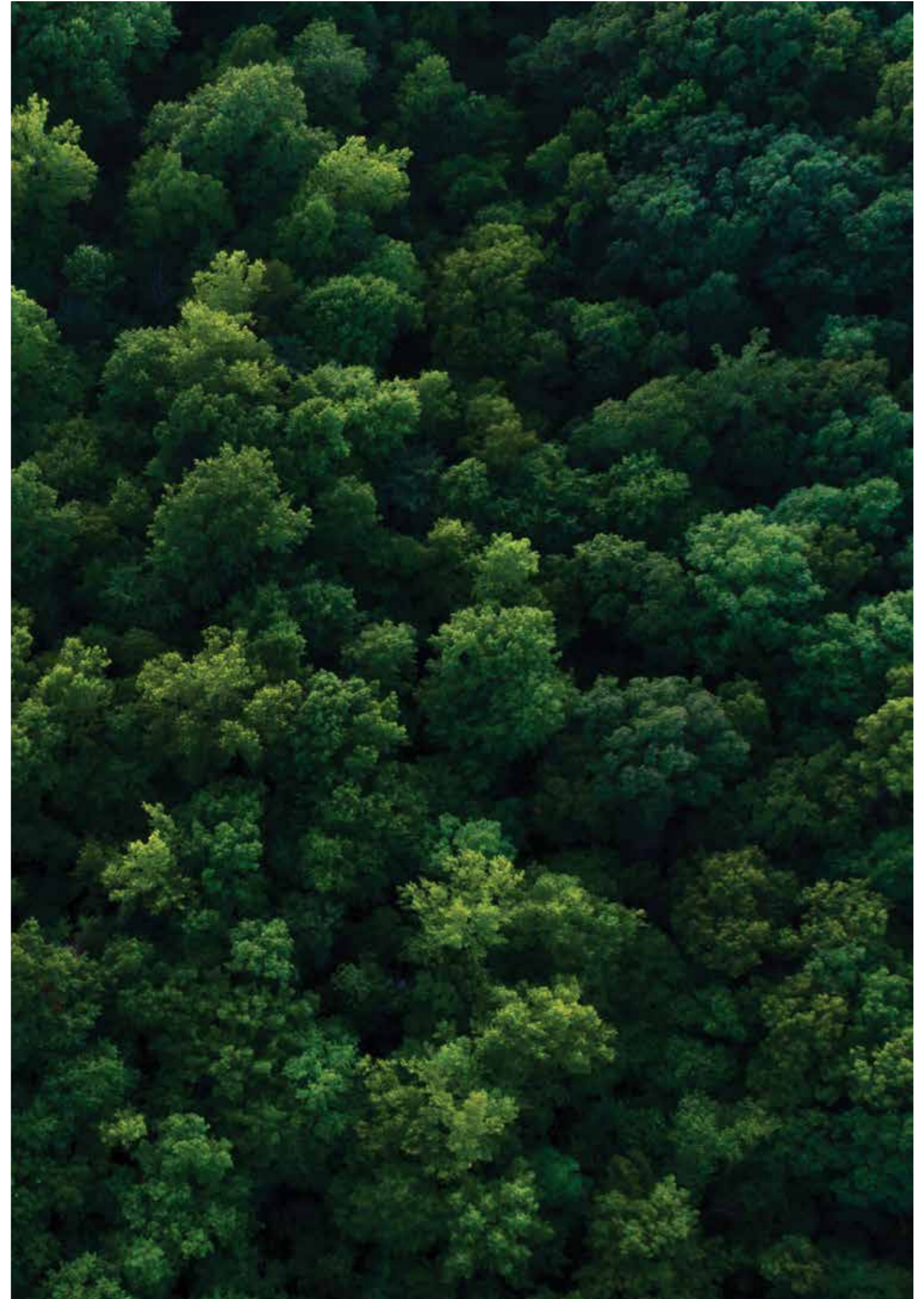
FROM RESPONSIBLE SOURCES FSC® CERTIFIED

The RAK-JOY wooden furniture collection respects the environment and the life of the furniture itself. All particleboard and MDF used in the construction of this striking furniture collection comes from responsible sources FSC certified, respecting the forests, the people and wildlife who call them home.

For more information: www.fsc.org



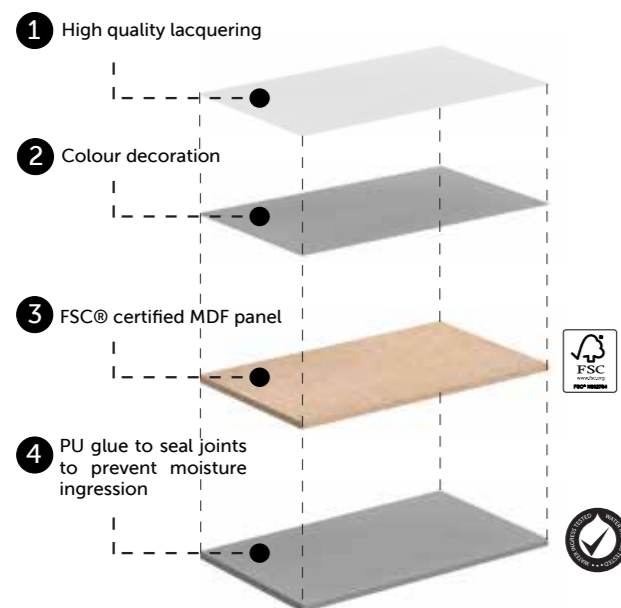
FSC® N002784



MATERIALS

Materiali | Matériaux | Materialien | Материалы

LAMILAK



LAMILAK is the new gloss material that exudes consistent quality and performance. The brilliant high gloss shine gives a striking smooth surface final appearance. To protect the environment, LAMILAK is produced from PET recyclable material.

LAMILAK è il nuovo materiale a finitura lucida dalla qualità e prestazioni costanti. L'elevata brillantezza della finitura conferisce un aspetto finale di superficie estremamente liscia e specchiante. Per proteggere l'ambiente, LAMILAK è prodotto con materiale riciclabile PET.

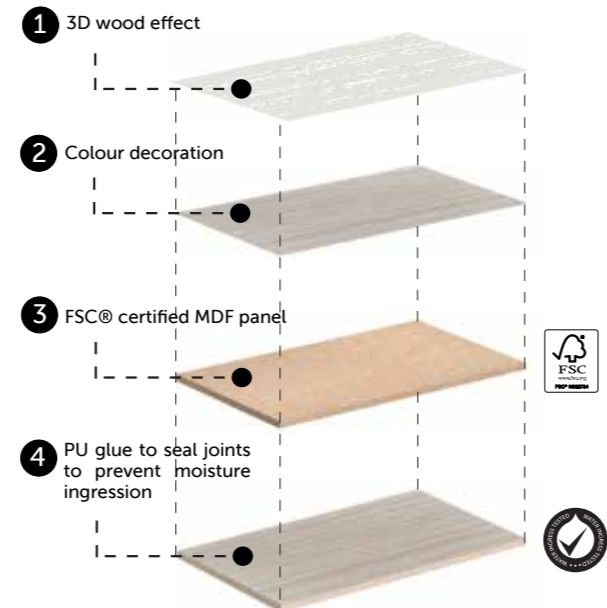
LAMILAK est le nouveau matériau brillant qui respire la qualité et la performance constante. La finition à haute brillance donne une apparence finale de surface lisse et frappante. Pour protéger l'environnement, LAMILAK est fabriqué à partir de matériaux recyclable à base de PET.

LAMILAK es el nuevo material brillante, que rezuma calidad y rendimiento sin interrupciones. El gran esplendor brillante regala una apariencia final superficial uniforme impresionante. LAMILAK se fabrica a partir de material reciclable PET para proteger el medio ambiente.

LAMILAK ist das neue Glanzmaterial, das konsistente Qualität und Leistung ausstrahlt. Der strahlende Hochglanz verleiht der Oberfläche eine auffällige glatte Oberfläche. Zum Schutz der Umwelt wird LAMILAK aus recyceltem PET-Material hergestellt.

LAMILAK – это новый гляцевый материал, обладающий устойчивым качеством и характеристиками. Блестящее гляцевое сияние придает поверхности потрясающе гладкий вид. Для защиты окружающей среды LAMILAK изготавливается из перерабатываемого полиэтилена.

TECHWOOD



TECHWOOD is the new wood effect material that gives the tactile impression of real wood. Revel in the touch and feel of its vibrant texture. To protect the environment, TECHWOOD is produced from polypropylene recyclable material.

TECHWOOD è il nuovo materiale a finitura legno che conferisce la sensazione tattile di vero legno. Accarezza la superficie e prova la sensazione della sua vibrante venatura. Per proteggere l'ambiente, TECHWOOD è prodotto con materiale riciclabile in polipropilene.

TECHWOOD est le nouveau matériau à effet bois qui donne l'impression tactile du vrai bois. Revel dans le toucher et la sensation de sa texture dynamique. Pour protéger l'environnement, TECHWOOD est fabriqué à partir de matériaux recyclable en polypropylène.

TECHWOOD es el nuevo material imitación de madera, que regala la sensación táctil de madera auténtica. Disfrute al tocarlo y sienta su textura vibrante. TECHWOOD se fabrica a partir de material reciclable PET para proteger el medio ambiente.

TECHWOOD ist das neue Holz-Effekt-Material, das den fühlbaren Eindruck von echtem Holz vermittelt. Genießen Sie die Berührung und das Gefühl seiner lebendigen Textur. Um die Umwelt zu schützen, wird TECHWOOD aus recyceltem Polypropylen hergestellt.

TECHWOOD – это новый материал с эффектом древесины, дающий тактильное ощущение натурального дерева. Насладитесь его живой текстурой! Для защиты окружающей среды TECHWOOD изготавливается из перерабатываемого полипропилена.

RAK
CERAMICS

RAK
CERAMICS

PURE WHITE
(LAMILAK)

URBAN GREY
(LAMILAK)

RAK
CERAMICS

RAK
CERAMICS

SCANDINAVIAN OAK
(TECHWOOD)

GREY ELM
(TECHWOOD)

RAK
CERAMICS

RAK
CERAMICS

MOKA WALNUT
(TECHWOOD)

MATT GREY (only for Open
Storage Units)
(LAMILAK)

RAK
CERAMICS

ANTHRACITE
(INTERNAL FINISH)

PRODUCT BENEFITS


Vantaggi Del Prodotto | Avantages Du Produit | Produkt Vorteile | преимущества продукта

VANITIES & TALL CABINET


Mobili sospesi | Meubles suspendus | Waschtisch, wandhängend | шкафчик под раковиной и высокий подвесной шкаф




 **FSC® CERTIFICATION**
WOODEN MATERIALS ARE FSC CERTIFIED.
I materiali in legno sono certificati FSC.
Les matériaux en bois sont certifiés FSC.
Die Holzmaterialien sind FSC-zertifiziert.
Деревянные материалы, сертифицированные FSC.

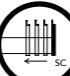
 **WATERPROOF**
Resistente all'acqua
Imperméable
Wasserdicht
Водонепроницаемость


 **WITHSTANDING HEAVY LOADS 50KG**
Supporta carichi pesanti 50kg
Résistant les charges lourdes 50kg
Widersteht starker Beanspruchung 50kg
Выдерживает большие нагрузки 50 кг


 **WITHSTANDING HEAVY LOADS 150KG**
Supporta carichi pesanti 150kg
Résistant les charges lourdes 150kg
Widersteht starker Beanspruchung 150kg
Выдерживает большие нагрузки 150 кг

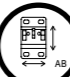
 **J-PULL FRONTALS**
Frontali con maniglia integrata J-pull
Prise de main J-pull
J-Pull Frontals
J-образный вырез на торце

 **FULL EXTRACTION DRAWERS**
Cassetti ad estrazione completa
Tiroirs d'extraction complets
Voll auszug schubladen
Полновыдвижные ящики

 **SOFT CLOSE DRAWER RUNNERS**
Guide a chiusura rallentata
Coulisses avec système de fermeture progressive
Läufer mit integrierter Dämpfung
Плавное закрытие ящиков

 **SOFT CLOSE HINGES**
Cerniere a chiusura rallentata
Charnières amorties
Scharnier mit integrierter Dämpfung
Плавно закрывающиеся петли

 **ADJUSTABLE GLASS SHELVING**
Ripiani regolabili in vetro
Étagère en verre réglable
Verstellbare Glasregale
Регулируемая стеклянная полка

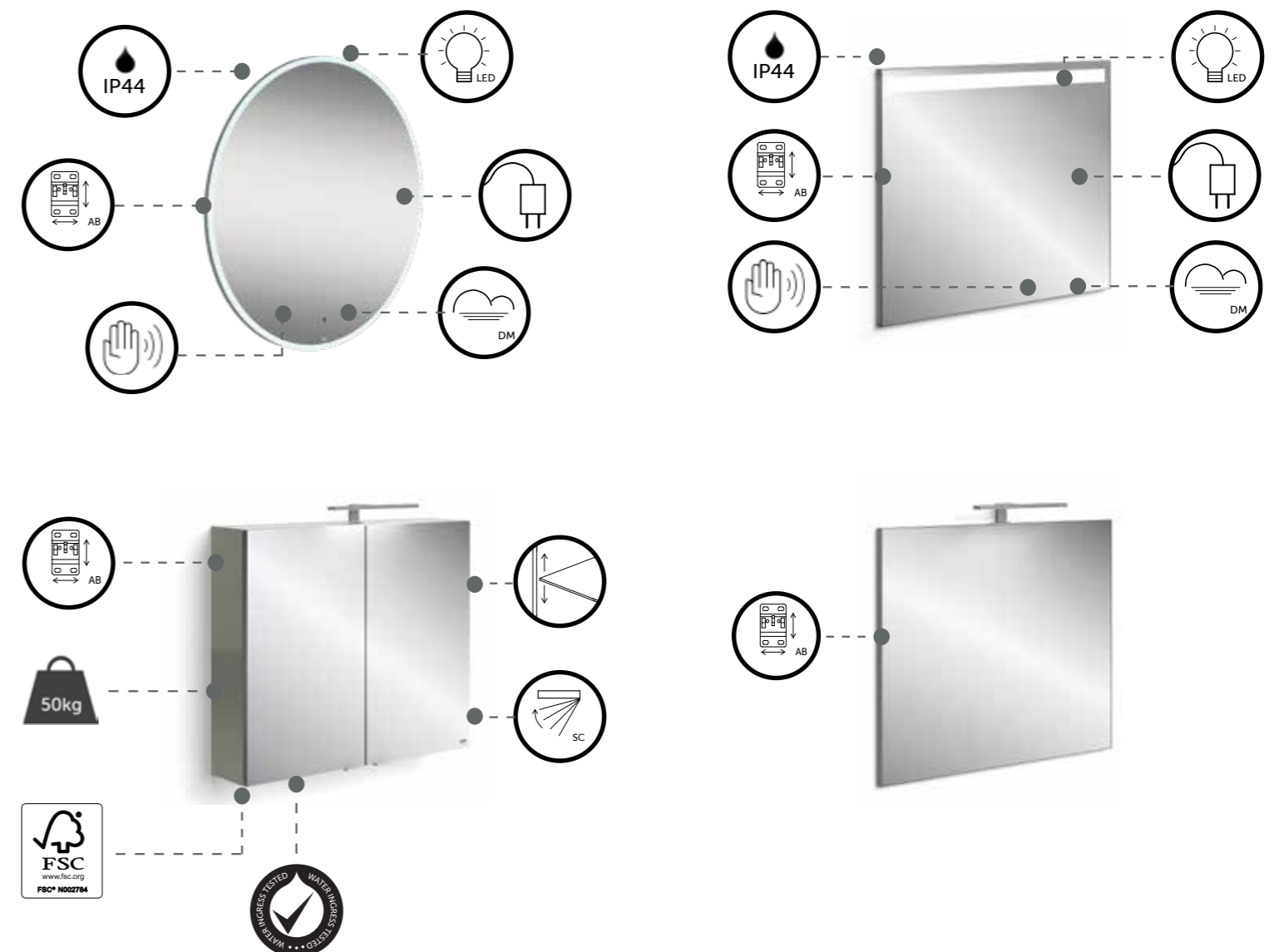
 **ADJUSTABLE BRACKETS**
Fissaggi regolabili
Supports réglables
Verstellbare Befestigungsbügel
Регулируемые кронштейны


PRODUCT BENEFITS


Vantaggi Del Prodotto | Avantages Du Produit | Produkt Vorteile | преимущества продукта


MIRRORS

Specchi e specchi contenitivi | Miroirs et armoires toilette | Spiegel & Schränke | зеркала



 **MAINS POWERED**
Alimentazione da rete
Alimentation secteur
Netz betrieben
Питание от сети

 **DE-MISTER**
Anti-appannamento
Système antibuée
Espejo Con Sistema Desempañador
Entnebler
Защита от запотевания

 **TOUCHLESS ACTIVATION**
Attivazione a sfioro
Activation sans touche
berührunglose Aktivierung
Бесконтактная активация

 **MOTION SENSOR**
Sensore di movimento
Capteur de mouvement
Bewegungssensor
Датчик движения

 **USB RECHARGEABLE**
Ricaricabile via USB
USB rechargeable
USB wiederaufladbar
Заряжается через usb

 **REVERSIBLE**
Reversible
Reversible
Reversible
Реверсионный

 **LED LIGHT**
LED Luce
LED Lumière
LED Licht
Светодиодная (led) подсветка

 **IP44**
IP44
IP44
IP44
IP44

RAK-JOY UNO

Functional, elegant, spacious and modular, **RAK-Joy Uno** is the natural evolution of the successful story of RAK-Joy. A minimalist design that will enhance the style of your bathroom, by giving you a one-drawer only contemporary solution. **RAK-Joy Uno** is the new RAK Ceramics bathroom furniture range, designed to move the style of your bathroom on to a higher level. Innovative, high-quality and with exceptional details, **RAK-Joy Uno** is also available in 5 different finishes.

Funzionale, elegante, spazioso e modulare, **RAK-Joy Uno** è la naturale evoluzione della storia di successo di RAK-Joy. Funzionale, elegante, spazioso e modulare, **RAK-Joy Uno** è la naturale evoluzione della storia di successo di RAK-Joy. RAK-Joy Uno è la nuova serie di mobili bagno RAK Ceramics, progettati per l'evoluzione del tuo bagno. Innovativo e ricco di dettagli di alta qualità, **RAK-Joy Uno** è disponibile in 5 diverse finiture.

Fonctionnel, élégant, spacieux et modulaire, **RAK-Joy Uno** est l'évolution naturelle de l'histoire de succès de RAK-Joy. Un design minimaliste, en mesure d'exalter le style de votre salle de bains, en offrant une solution contemporaine avec un seul tiroir. **RAK-Joy Uno** est la nouvelle série de meubles de salle de bains RAK Ceramics, projetés pour l'évolution de votre salle de bains. Innovateur et riche en détails de haute qualité, **RAK-Joy Uno** est disponible en 5 diverses finitions.

Funktionell, elegant, geräumig und modular, stellt **RAK-Joy Uno** die natürliche Entwicklung der Erfolgsgeschichte von RAK-Joy dar. Ein minimalistisches Design, das in der Lage ist, den Stil Ihres Badezimmers zu betonen, indem es eine zeitgenössische Ein-Schubfach-Lösung bietet. **RAK-Joy** ist die neue Serie an Badezimmermöbeln von RAK Ceramics, die für die Entwicklung Ihres Badezimmers entworfen wurden. Innovativ und reich an hochqualitativen Details, präsentiert sich **RAK-Joy Uno** in 5 verschiedenen Oberflächenbeschaffenheiten.

Функциональная, элегантная, просторная и модульная линия мебели **RAK-Joy Uno** - это результат эволюции успешной линии мебели RAK-Joy. Минималистский дизайн, который улучшит стиль вашей ванной комнаты, предоставляя современное решение с одним ящиком. **RAK-Joy Uno** - это новая линия мебели для ванной комнаты от RAK Ceramics, разработанная для того, чтобы усовершенствовать стиль вашей ванной комнаты, достичь более высокого уровня. Инновационная, высококачественная и с исключительными деталями линия мебели **RAK-Joy Uno** доступна в 5 различных отделках.



W 120 x D 3 x H 68CM
JOYMR12068LED

61 x 46 CM
JOYDI06101WH

W 60 x D 46 x H 40CM
UNOWH060UGY

UGY
60 CM
JOYOS040MGY

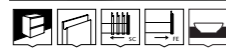
MGY
180CM = W 90 x D 31 x H 307CM
USSAS0004504 x2

PRODUCT LIST

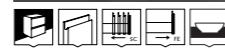
WALL HUNG FURNITURE | Mobili sospesi | Meubles suspendus | Waschtisch, wandhängend | Навесная мебель



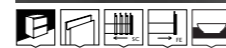
W 40 x D 22 x H 60CM



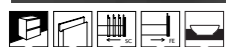
W 60 x D 46 x H 40CM



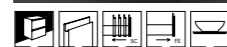
W 80 x D 46 x H 40CM



W 100 x D 46 x H 40CM



120CM - 2x W 60CM Units



160CM - 2x W 80CM Units



200CM - 2x W 100CM Units



OPEN STORAGE UNITS | Vani a vista
| Unités de stockage ouvertes | Offene
Lagerungseinheiten | Открытые ячейки

TALL CABINET UNIT | Colonna sospesa
| Colonne Suspendue | Hochschrank |
Высокий подвесной шкаф

TOP MOUNTED T-BAR LIGHT
| Luce "a T" montabile in alto | Spot en t-bar montée sur le
dessus | T-bar Aufsatzlicht | T-образная подсветка с верхним
креплением



60 CM



W 30 x D 23 x H 120CM



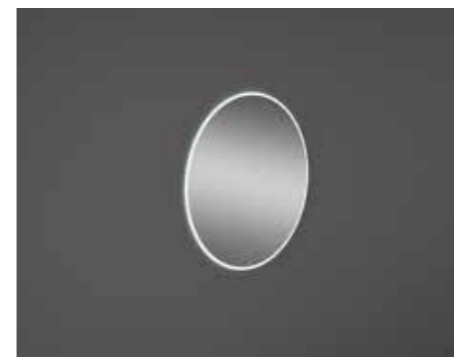
Cool White 6000K
450 Lumens

USB RECHARGABLE LIGHT
| Luce ricaricabile del USB | Lumière USB rechargeable | USB
rechargeable Licht | Заряжаемая от USB подсветка

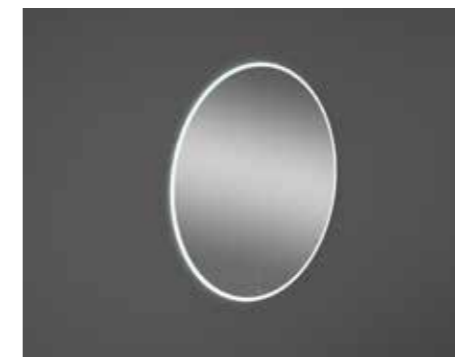


Neutral White 4000K
150 Lumens

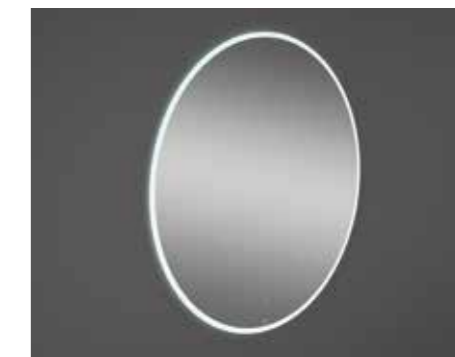
MIRRORS | Specchi | Miroirs | Spiegel | Зеркала



W 60 x D 3 x H 60CM
Cool White 6000K
980 Lumens



W 80 x D 3 x H 80CM
Cool White 6000K
1350 Lumens



W 100 x D 3 x H 100CM
Cool White 6000K
1700 Lumens

MIRRORS & CABINETS | Specchi e specchi contenitivi | Miroirs et armoires toilette | Spiegel & Schränke | Зеркала и шкафчики



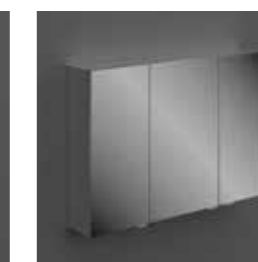
W 40 x D 18 x H 68CM



W 60 x D 18 x H 68CM



W 80 x D 18 x H 68CM



W 100 x D 18 x H 68CM



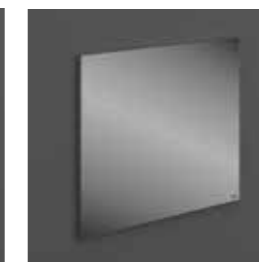
120CM - 2x W 60CM Units



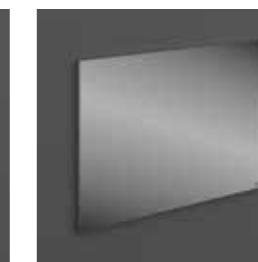
W 40 x D 3 x H 68CM



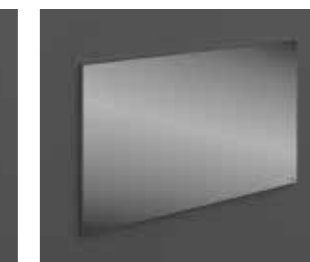
W 60 x D 3 x H 68CM



W 80 x D 3 x H 68CM



W 100 x D 3 x H 68CM



W 120 x D 3 x H 68CM



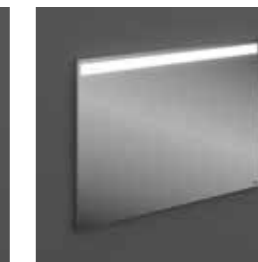
W 40 x D 3 x H 68CM



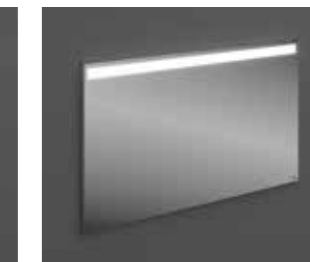
W 60 x D 3 x H 68CM
Cool White 6000K
400 Lumens



W 80 x D 3 x H 68CM
Cool White 6000K
500 Lumens



W 100 x D 3 x H 68CM
Cool White 6000K
700 Lumens



W 120 x D 3 x H 68CM
Cool White 6000K
900 Lumens

DROP IN WASH BASINS | Lavabi da incasso | Plan vasque | Drop-in Waschbecken | Встраиваемая раковина



41 x 23 CM



61 x 46 CM



81 x 46 CM



101 x 46 CM



121 x 46 CM



61 x 46 CM



81 x 46 CM



101 x 46 CM



121 x 46 CM



FOR VANITY SPACE SAVING

RAK-JOY + RAK-PRECIOUS

RAK Precious drop in washbasins and countertop solutions can be combined with your favorite RAK-Joy bathroom vanity. RAK-Precious are available in 6 different finishes and colors, perfectly compatible with RAK-Joy.



I lavabi da incasso RAK-Precious ed i piani d'appoggio possono essere combinati al tuo mobile bagno RAK-Joy preferito. La gamma RAK-Joy e' disponibile in 6 diverse finiture, perfettamente compatibili con colori e finiture RAK-Precious.



Les lavabos à encastrer de RAK-Precious et les plans de toilette peuvent être combinés avec votre meuble de salle de bains préféré de RAK-Joy. La gamme RAK-Joy est disponible en 6 finitures différentes, parfaitement compatibles avec les couleurs et les finitures de RAK-Precious.



Die Einbauwaschbecken von RAK-Precious sowie die Auflageflächen können mit Ihrem bevorzugten Badezimmermöbelstück kombiniert werden. Die gesamte Bandbreite von RAK-Joy ist in 6 verschiedenen Oberflächen verfügbar, die mit den Farben und Oberflächen von RAK-Precious bestens kompatibel sind.



Встраиваемые и монтирующиеся на столешницу раковины от RAK-Precious можно комбинировать с наиболее понравившейся тумбой из коллекции RAK-Joy. На выбор предлагается 6 различных отделки тумб RAK-Joy, которые идеально сочетаются с цветовой гаммой и отделочными материалами компании RAK-Precious.



100 CARRARA (LAPPATO)

101 MACAUBAS (NATURAL)

102 TRAVERTINO IVORY (LAPPATO)

103 SURFACE XL COOL GREY (NATURAL)

104 BEHIND GREY (NATURAL)

105 UNI DARK BLACK (NATURAL)

UNIVERSAL SHELVING UNITS

Scaffali Universali | Unités De Rayonnage Universelles | Unidades De Estante Universales | Универсальные Установки



W 60CM



504



W 60 x H 60CM



504



W 60 x H 180CM



504



W 90 x D 31 x H 307CM



504



W 90 x D 31 x H 307CM



504

Shelving is not only practical: it can also be fully part of your bathroom design. Contemporary, sophisticated and easy to be installed, RAK-Joy shelving units help you style your bathroom, with a creative and multifunctional furnishing solutions to meet your needs and express your imagination. The unit is equipped with an interlocking system so that you can hook the accessories without screwing them into the structure. The bifacial bookcase is a creative partition that works as furnishing accessory and dividing wall. Find a new solutions to separate your rooms, store your objects and complete your bathroom with style.



Le mensole non sono solo pratiche: possono anche essere parte integrante del design del tuo bagno. Contemporanei, sofisticati e facili da installare, gli scaffali RAK-Joy ti aiutano a dare stile al tuo bagno, con soluzioni d'arredo creative e multifunzionali per soddisfare le tue esigenze ed esprimere la tua fantasia. Le unità sono dotate di un sistema ad incastro per poter agganciare gli accessori senza avvitari alla struttura.

La libreria bifacciale è un divisorio creativo che funge da complemento d'arredo e parete divisoria. Trova nuove soluzioni per separare i tuoi spazi, riporre i tuoi oggetti e completare il tuo bagno con stile.



Les surfaces de travail ne sont pas seulement pratiques, mais peuvent également devenir une partie intégrante de votre salle de bains. Contemporaines, sophistiquées et faciles à installer, les étagères de RAK-Joy vous aident à conférer du style à votre salle de bains, par des solutions d'aménagement créatives et multifonctionnelles, qui satisfont vos exigences et expriment votre fantaisie. Les unités sont dotées d'un système de fixation, pour y joindre les accessoires, sans avoir besoin de les visser à la structure. La bibliothèque bifaciale est un élément de séparation créatif qui sert à la fois de meuble et de mur de séparation. Trouvez de nouvelles solutions, pour séparer vos espaces, déposer vos objets et compléter avec style votre salle de bains.



Ablagen sind nicht nur praktisch, sie können auch zu einem festen Bestandteil Ihres Badezimmerdesigns werden. Zeitgenössisch, anspruchsvoll und einfach zu installieren - die Regale von RAK-Joy helfen Ihnen dabei, Ihrem Badezimmer Stil zu verleihen, durch kreative und multifunktionale Einrichtungslösungen, die Ihre Wünsche erfüllen und Ihre Fantasie zum Ausdruck bringen. Die Einheiten sind mit einem Einspannsystem ausgestattet, um Accessoires anzuhängen, ohne sie an die Struktur anzuschrauben. Das beidseitige Bücherregal ist ein kreatives Trennelement, das gleichzeitig als Möbelstück und als Trennwand fungiert. Finden Sie neue Lösungen, um Ihre Räume zu trennen, Ihre Gegenstände abzulagern und Ihr Badezimmer stilvoll zu ergänzen.



Полки выполняют не только практическую функцию – они также могут в полной мере стать частью дизайна вашей ванной комнаты. Современные, тщательно продуманные и простые в установке полочные модули RAK-Joy помогут вам создать дизайн ванной комнаты благодаря креативным и многофункциональным решениям для мебелировки, которые отвечают вашим потребностям и дают возможность воплотить в жизнь вашу фантазию. Данный модуль оснащен системой сцепления, позволяющей подвешивать аксессуары без необходимости крепить их винтами к конструкции. Двусторонний шкаф представляет собой креативную перегородку и выполняет функцию мебельного аксессуара, а также служит для разделения стен. Находите новые решения для разделения ваших комнат, хранения вещей и создания стильного образа вашей ванной комнаты.



VANITY UNITS

WALL HUNG VANITY UNITS

Mobili sospesi | Meubles suspendus | Waschtisch wandhängend | Подвесная тумба



W 40 x D 22 x H 60CM
JOYWH040UGY

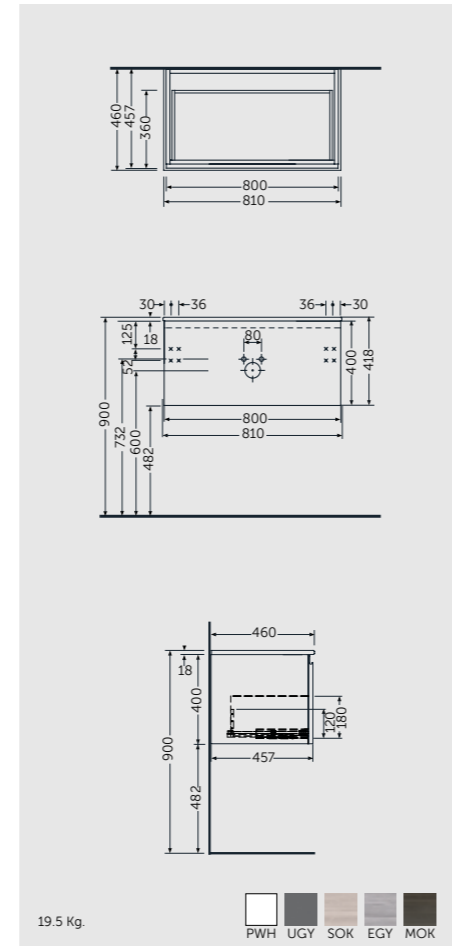
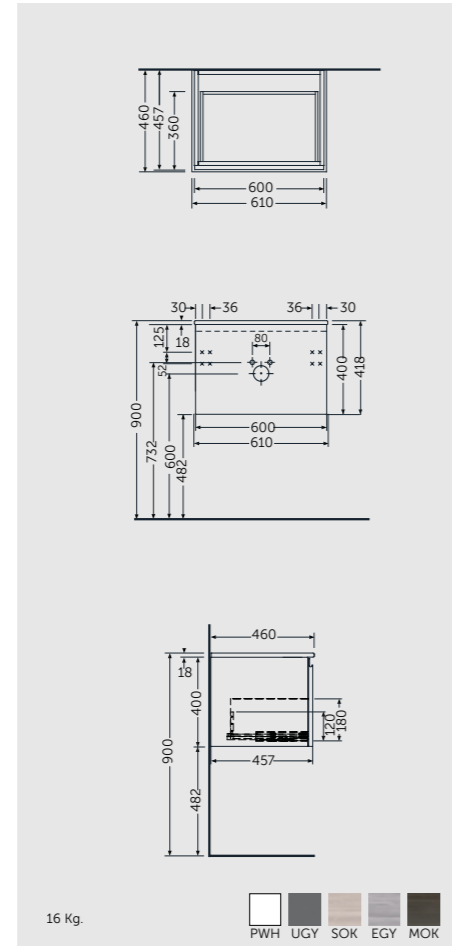
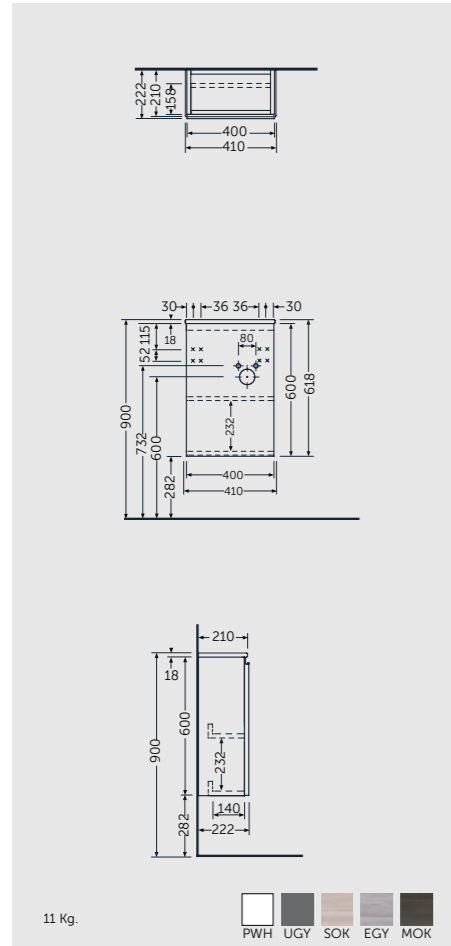


W 60 x D 46 x H 40CM
UNOWH060UGY
Space saving bottle trap required BTRWBPPR022



W 80 x D 46 x H 40CM
UNOWH080UGY
Space saving bottle trap required BTRWBPPR022

Measurements | Misure | Dimensions | Abmessungen | Размеры



WALL HUNG VANITY UNITS

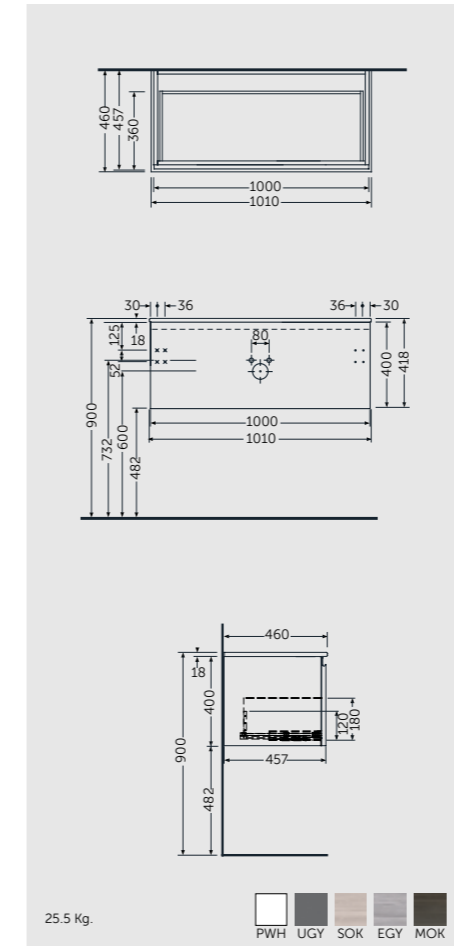
Mobili sospesi | Meubles suspendus | Waschtisch wandhängend | Подвесная тумба



W 100 x D 46 x H 40CM
UNOWH100UGY
Space saving bottle trap required BTRWBPPR022



120cm = 2x W 60CM Units
UNOWH060UGY x2
Space saving bottle trap required BTRWBPPR022 (x2)



160cm = 2x W 80CM Units
UNOWH080UGY x2
Space saving bottle trap required BTRWBPPR022 (x2)



200cm = 2x W 100CM Units
UNOWH100UGY x2
Space saving bottle trap required BTRWBPPR022 (x2)



FOR VANITY
PP WHITE : BTRWBPPR022
Inspectionable
Space Saving

OPEN STORAGE AND TALL CABINET UNITS

OPEN STORAGE UNIT

Vani a vista | Unités de stockage ouvertes | Offene Lagerungseinheiten
| Открытые ячейки



60 CM
JOYOS040MGY

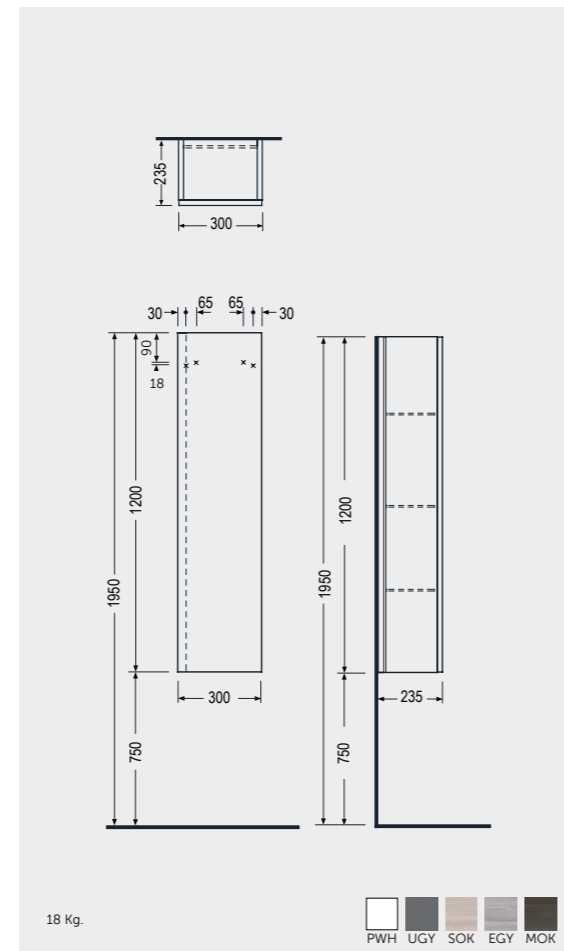
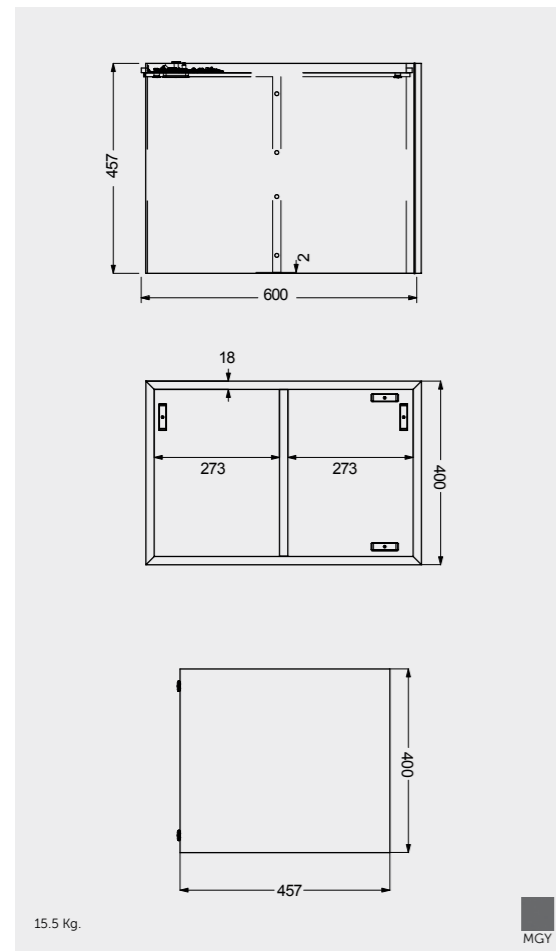
TALL CABINET UNIT

Colonna sospesa | Colonne suspendue | Hochschrank | Высокий
подвесной шкаф

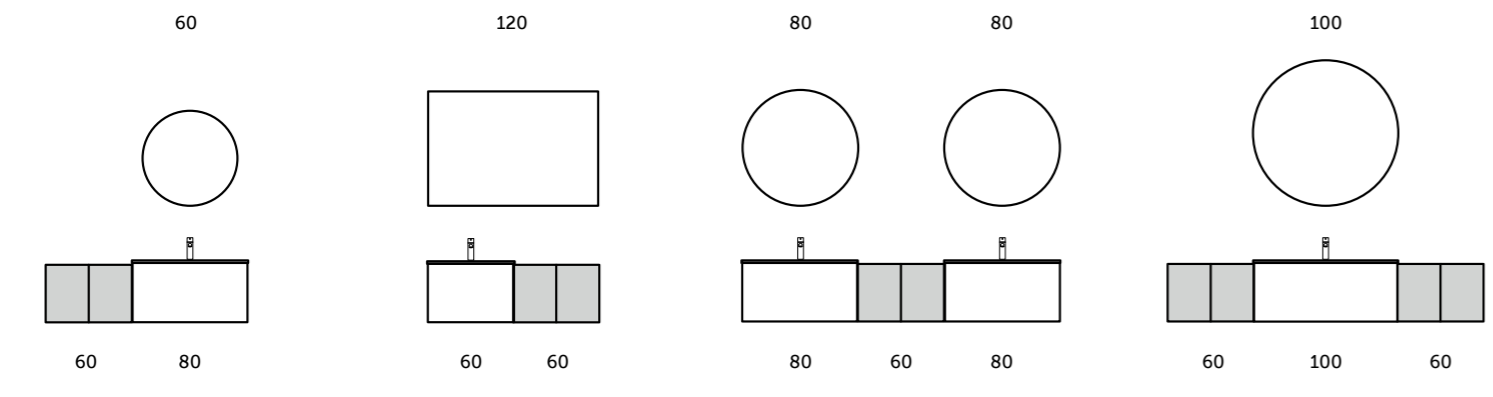


W 30 x D 23 x H 120CM
JOYTS120UGY

Measurements | Misure | Dimensions | Abmessungen | Размеры



WITH RAK-JOY OR RAK-PRECIOUS DROP-IN WASHBASINS



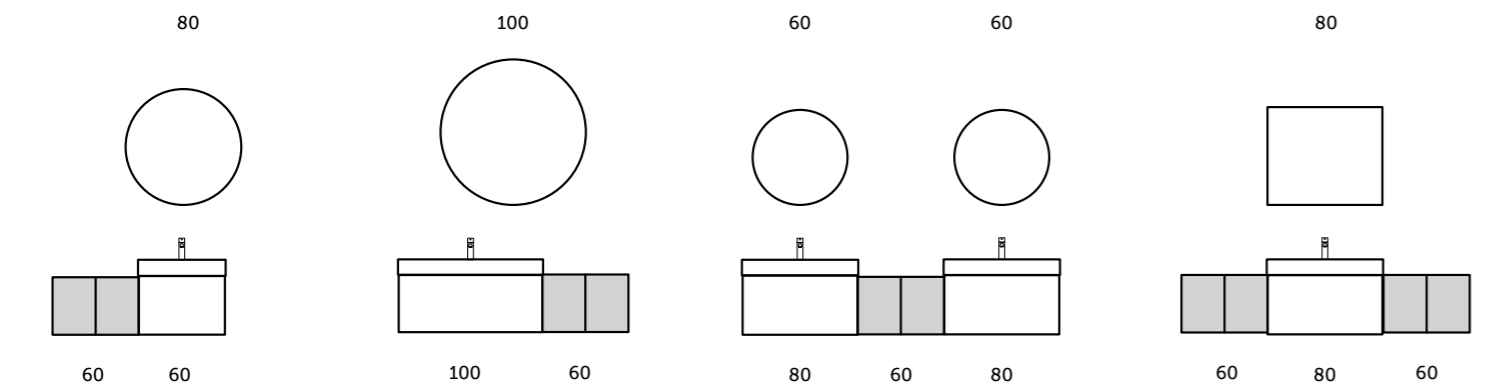
LEFT

RIGHT

MIDDLE

BOTH ENDS

WITH RAK-DES WASHBASINS



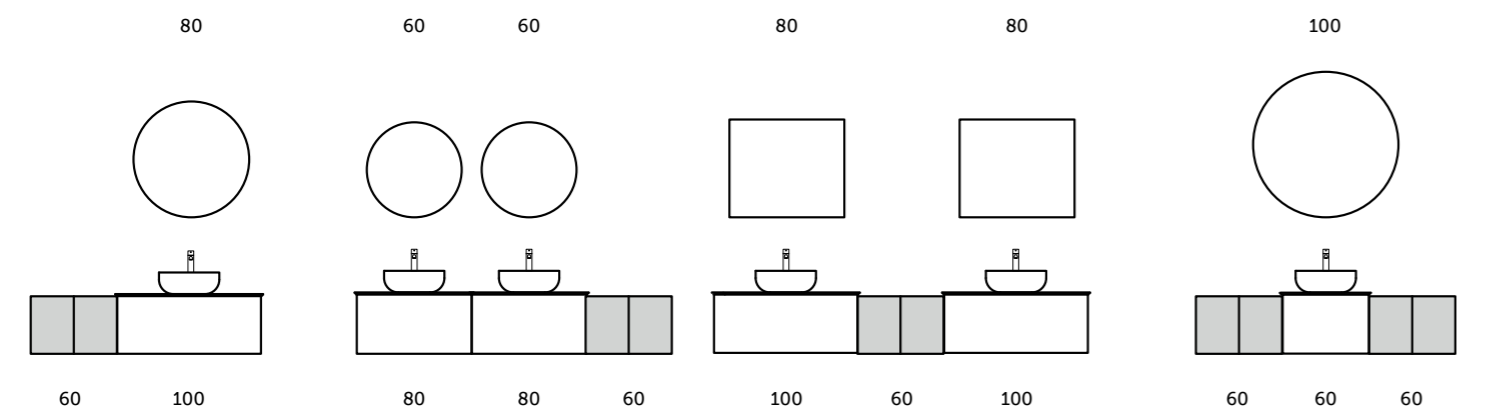
LEFT

RIGHT

MIDDLE

BOTH ENDS

WITH RAK-PRECIOUS SURFACE AND COUNTERTOP WASHBASINS



LEFT

RIGHT

MIDDLE

BOTH ENDS

RAK-JOY + RAK-PRECIOUS + OPEN STORAGE UNIT

Elevate your bathroom's style and functionality with the combination of RAK Precious drop in washbasin or countertop, RAK-Joy Vanity Unit and a modular Open Storage system. Designed to be mixed and matched according to your style, this combination offers the best space-saving solution, essential in keeping your bathroom organized.



Stile e funzionalità si fondono alla perfezione nel tuo bagno, grazie alla elegante composizione di RAK Precious lavabo da incasso o piano di lavoro, mobile bagno RAK-Joy e un sistema modulare Open Storage. Progettata per essere mixata e abbinata in base al tuo stile, questa combinazione offre la migliore soluzione salvaspazio, essenziale per mantenere organizzato il tuo bagno.



Améliorez le style et la fonctionnalité de votre salle de bains par la combinaison d'un bouchon d'écoulement pour lavabo ou plan de RAK Precious, un porte-lavabo de RAK-Joy et un système modulaire de stockage ouvert. Projetée pour être composée selon votre style, cette combinaison offre la meilleure solution peu encombrante, essentielle pour maintenir votre salle de bains bien organisée.



Werten Sie den Stil und die Funktionalität Ihres Badezimmers auf, mit der Kombination aus der Ablaufgarnitur für Waschbecken oder Arbeitsplatte RAK Precious, dem Unterschrank RAK-Joy und dem offenen Modularlagerungssystem. Entworfen um passend zu Ihrem Stil zusammengestellt zu werden, bietet diese Kombination die beste platzsparende Lösung, die wesentlich ist, um Ihr Badezimmer ordentlich zu halten.



Улучшите стиль и функциональность вашей ванной комнаты с помощью комбинации Rak Precious для накладных и встраиваемых раковин, Rak-Joy с наиболее понравившейся тумбой и модульной открытой системой хранения. Комбинация разработана, чтобы дать Вам возможность подбирать и составлять в соответствии с вашим стилем, эта комбинация предлагает лучшее решение для экономии места и пространства, необходимое для поддержания вашей ванной комнаты в порядке.



RAK-Joy washbasins



RAK-Des washbasins



RAK-Precious washbasins



Counter top washbasins



RAK-Precious counter top surfaces



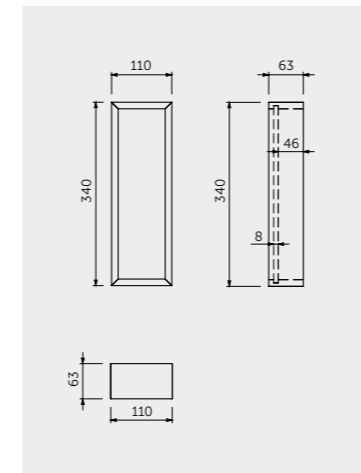
**DRAWER
INSERTS &
LIGHTING**

DRAWER INSERT ORGANISERS | Organizzatori per cassetto | Organiseur pour tiroirs | Schubladeneinsätze Einteiler | Органайзеры для выдвижных ящиков

TOP DRAWER INSERT
Organizzatori per cassetto
Organiseur pour tiroirs
Schubladeneinsätze Einteiler
Вкладыш в верхний ящик



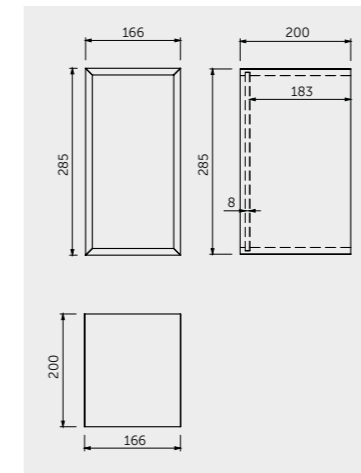
H 6 x W 11 x D 34CM
ANTHRACITE
JOYDIST



BOTTOM DRAWER INSERT
Organizzatori per cassetto
Organiseur pour tiroirs
Schubladeneinsätze Einteiler
Вкладыш в нижний ящик



H 20 x W 16 x D 29CM
ANTHRACITE
JOYDILB

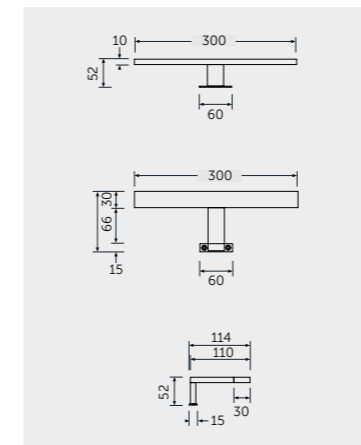


LIGHTS | Luci | Lumières | Beleuchtung | wandhängend | Подсветка

TOP MOUNTED T-BAR LIGHT
Luce "a T" montabile in alto
Spot en t-bar montée sur le dessus
T-bar Aufsatzlicht
Т-образная подсветка с верхним креплением



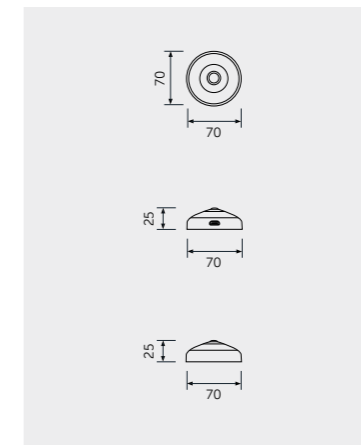
BRASS: JOYTB6000CR ABS: JOYTB6000CR1
Cool White 6000K
450 Lumens



USB RECHARGABLE LIGHT
Luce ricaricabile del USB
Lumière USB rechargeable
USB rechargeable Licht
Заряжаемая от USB подсветка



JOYUSBRCCR
Natural White 4000K
150 Lumens





-  W 80 x D 3 x H 80CM
JOYMR08000LED
-  36X36 CM
VARCT43600AWHA
-  103 CM
PRESL10347102C
-  102
-  W 80 x D 46 x H 60CM
UNOWH080SOK
-  SOK
-  60 CM
JOYOS040MGY
-  MGY
-  W 60 x H 60CM
USSAS0002504

UNIVERSAL SHELVING SYSTEM

UNIVERSAL SHELVING SYSTEM | Sistema Di Scaffali Universale | Système De Rayonnage Universel | Universales Regalsystem | Универсальная Система Поставки



W 60CM
USSAS0001504

Accessories included: Small Shelf & Double Tumbler



W 60 x H 60CM
USSAS0002504

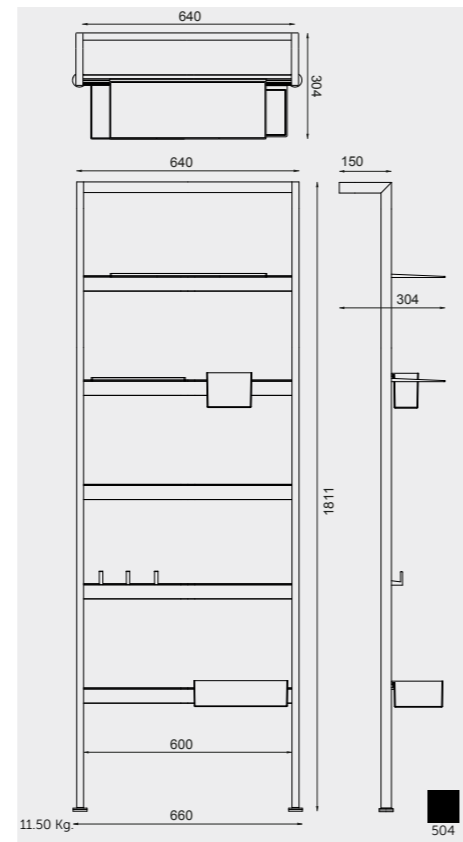
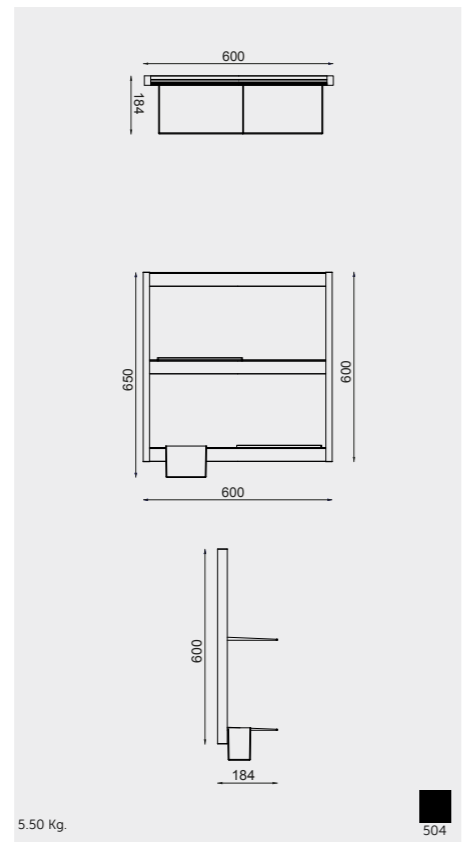
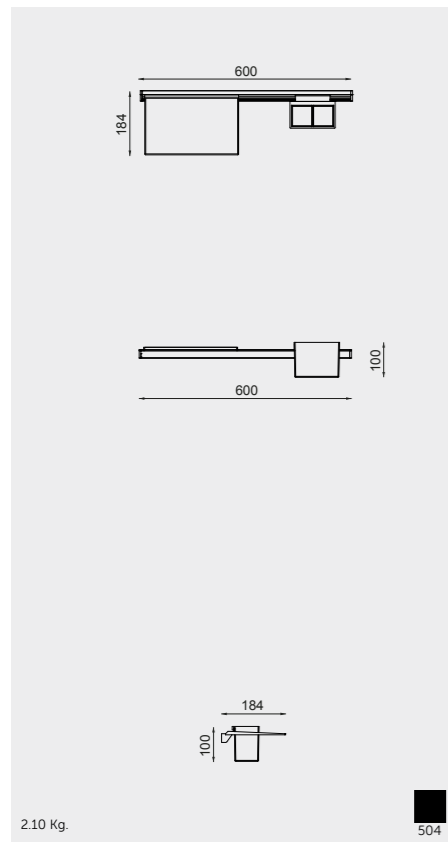
Accessories included: 2 Small Shelves & Double Tumbler



W 60 x H 180CM
USSAS0003504

Accessories included: Small & Large Shelves, Small & Large Double Tumblers and 3 Hooks

Measurements | Misure | Dimensions | Abmessungen | Размеры



Note | Nota | Remarque | Hinweis | Примечание

All dimensions in mm tolerance $\pm 5\%$ for below 200mm and $\pm 3\%$ for above 200mm | Tutte le dimensioni hanno una tolleranza di $\pm 5\%$ mm al di sotto dei 200mm e di $\pm 3\%$ mm al disopra dei 200mm | Toutes les dimensions en mm tolérance $\pm 5\%$ pour moins de 200mm et $\pm 3\%$ pour plus de 200mm/ Alle Abmessungen in mm, Toleranz $\pm 5\%$ für unter 200mm, und $\pm 3\%$ für über 200mm | Все размеры указаны в мм, погрешность $\pm 5\%$ ниже 200 мм и $\pm 3\%$ выше 200 мм



UNIVERSAL SHELVING SYSTEM

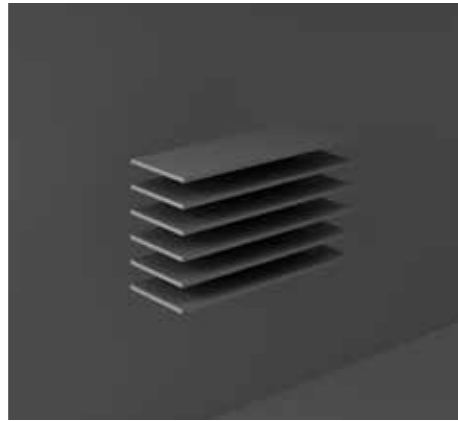
UNIVERSAL SHELVING SYSTEM | Sistema Di Scaffali Universale | Système De Rayonnage Universel | Universales Regalsystem | Универсальная Система Поставки



W 90 x D 31 x H 307CM
USSAS0004504

Structure can be easily cut on site at any lower height; adjustable feet.

Shelves not included, order separately: USSSH9031MGY



W 90 x D 31 x H 1,8CM
USSSH9031MGY

6 PCS

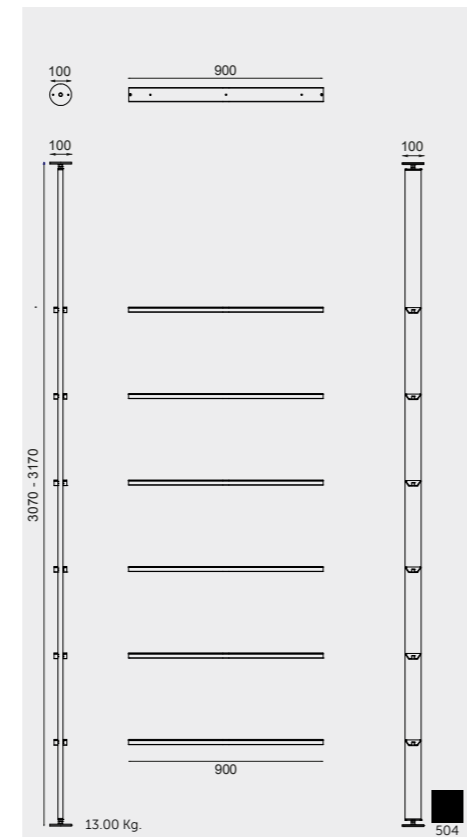
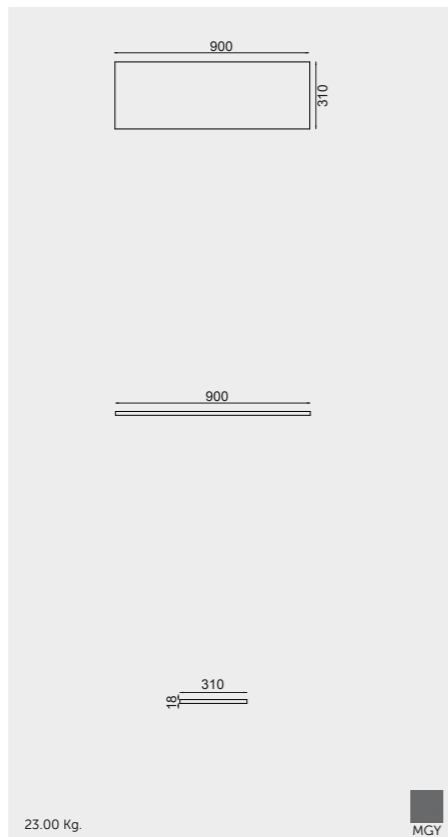
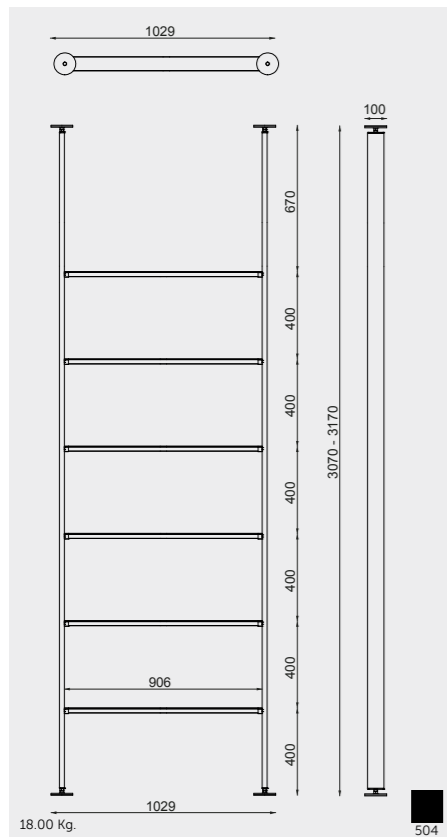


W 90 x D 31 x H 307CM
USSAS0005504

Structure can be easily cut on site at any lower height; adjustable feet.

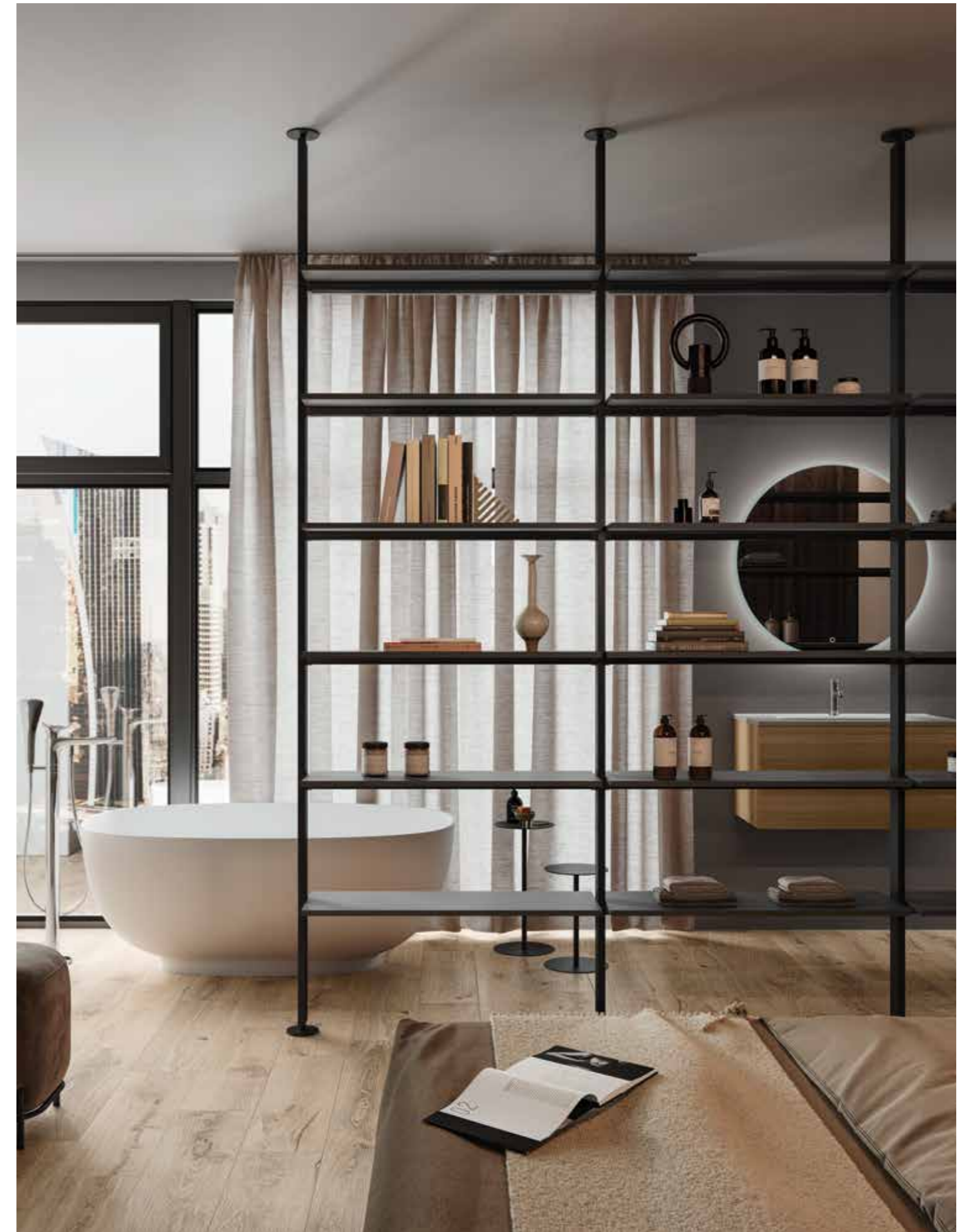
Shelves not included, order separately: USSSH9031MGY

Measurements | Misure | Dimensions | Abmessungen | Размеры



Note | Nota | Remarque | Hinweis | Примечание

All dimensions in mm tolerance $\pm 5\%$ for below 200mm and $\pm 3\%$ for above 200mm | Tutte le dimensioni hanno una tolleranza di $\pm 5\%$ mm al di sotto dei 200mm e di $\pm 3\%$ mm al di sopra dei 200mm | Toutes les dimensions en mm tolérance $\pm 5\%$ pour moins de 200mm et $\pm 3\%$ pour plus de 200mm/ Alle Abmessungen in mm, Toleranz $\pm 5\%$ für unter 200mm, und $\pm 3\%$ für über 200mm | Все размеры указаны в мм, погрешность $\pm 5\%$ ниже 200 мм и $\pm 3\%$ выше 200 мм



Imagine being able to do this with functional, elegant, spacious and modular solutions to suit your needs. Imagine **RAK-JOY**, the new RAK Ceramics bathroom furniture range, designed to organise your space and storage and meet your individual style. Innovative materials, well-organised interior spaces, modern lines, unique details and high quality standards make RAK-JOY the ideal choice for your bathroom.

Immagina di poterlo fare con soluzioni funzionali, eleganti, capienti e modulabili a seconda delle tue esigenze. Immagina **RAK-JOY**, il nuovo programma di mobili per il bagno RAK Ceramics, studiato per organizzare i tuoi spazi, contenere i tuoi oggetti e per incontrare il tuo stile, qualunque esso sia. Materiali innovativi, spazi interni ben organizzati, linee moderne, dettagli unici ed elevati standard qualitativi, fanno di RAK-JOY la scelta ideale per realizzare la tua idea di bagno.

Imaginez pouvoir le faire avec des solutions fonctionnelles, élégantes, spacieuses et modulaires en fonction de vos besoins. Imaginez **RAK-JOY**, la nouvelle gamme de meubles de salle de bain RAK Ceramics, conçue pour organiser votre espace, contenir vos objets et répondre à votre style individuel. Des matériaux innovants, des espaces intérieurs bien organisés, des lignes modernes, des détails uniques et des normes de qualité élevées font de RAK-JOY le choix idéal pour votre salle de bain.

Stellen Sie sich einen unbegrenzten Raum für Ihre Kreativität vor. Stellen Sie sich vor, dies mit funktionalen, eleganten, geräumigen und modularen Lösungen für Ihre Bedürfnisse zu tun. Stellen Sie sich RAK-JOY vor, das neue RAK Keramik Badmöbel-Sortiment, das sowohl Ihren Raum und Ihre Aufbewahrung organisiert, als auch Ihren individuellen Stil erfüllt. Innovative Materialien, gut organisierte Innenräume, moderne Linien, einzigartige Details und hohe Qualitätsstandards machen RAK-JOY zur idealen Wahl für Ihr Bad.

Вы можете использовать функциональные, элегантные, просторные модульные решения, отвечающие вашим потребностям. Специально для вас - RAK-JOY, новая коллекция мебели для ванной комнаты от компании RAK Ceramics, разработанная специально для вас и соответствующая вашим эстетическим предпочтениям. Инновационные материалы, продуманные интерьерные пространства, современные формы, уникальный дизайн и высокие стандарты делают коллекцию RAK-JOY идеальным выбором для ванной комнаты.



W 80 x D 3 x H 68CM
JOYMR08068LED

80 CM
JOYWH080SOK

SOK

40 CM
JOYOS040MGY

MGY

RAK-JOY PRODUCT LIST

WALL HUNG FURNITURE | Mobili sospesi | Meubles suspendus | Waschtisch, wandhängend | Навесная мебель



W 40 x D 22 x H 60CM



W 60 x D 46 x H 60CM



W 80 x D 46 x H 60CM



W 100 x D 46 x H 60CM



120CM - 2x W 60CM Units



160CM - 2x W 80CM Units



200CM - 2x W 100CM Units



OPEN STORAGE UNITS | Vani a vista | Unités de stockage ouvertes | Unidades de almacenamiento abierto | Offene Lagerungseinheiten | Открытые ячейки



20 CM



40 CM



TALL CABINET UNIT | Colonna sospesa | Colonne Suspendue | Hochschrank | Высокий подвесной шкаф



W 30 x D 23 x H 120CM



MIRRORS & CABINETS | Specchi e specchi contenitivi | Mirrors et armoires toilette | Spiegel & Schränke | Зеркала и шкафчики



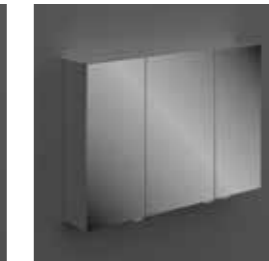
W 40 x D 18 x H 68CM



W 60 x D 18 x H 68CM



W 80 x D 18 x H 68CM



W 100 x D 18 x H 68CM



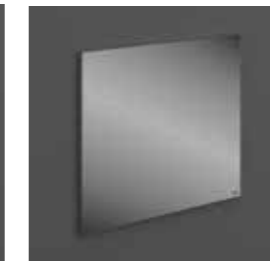
120CM - 2x W 60CM Units



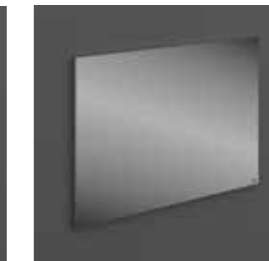
W 40 x D 2 x H 68CM



W 60 x D 2 x H 68CM



W 80 x D 2 x H 68CM



W 100 x D 2 x H 68CM



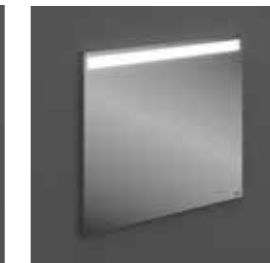
W 120 x D 2 x H 68CM



W 40 x D 3 x H 68CM
Cool White 6000K
400 Lumens



W 60 x D 3 x H 68CM
Cool White 6000K
400 Lumens



W 80 x D 3 x H 68CM
Cool White 6000K
500 Lumens



W 100 x D 3 x H 68CM
Cool White 6000K
700 Lumens



W 120 x D 3 x H 68CM
Cool White 6000K
900 Lumens

UPGRADE KIT | Kit di Personalizzazione | Kit de mise à niveau | Aufrüst-Kit | Комплект обновления

Upgrade your RAK-JOY furniture mirrors with lighting

Personalizza gli specchi RAK-JOY con l'illuminazione
Améliorez vos meubles RAK-JOY avec éclairage
Rüsten Sie Ihre RAK-JOY Badezimmerspiegel durch Beleuchtung auf
Усовершенствуйте вашу RAK-JOY мебель с зеркалами подсветкой

TOP MOUNTED T-BAR LIGHT

Luce "a T" montabile in alto
Spot en t-bar montée sur le dessus
T-bar Aufsatzlicht
T-образная подсветка с верхним креплением



Cool White 6000K
450 Lumens

USB RECHARGABLE LIGHT

Luce ricaricabile del USB
Lumière USB rechargeable
USB rechargeable Licht
Заряжаемая от USB подсветка



Neutral White 4000K
150 Lumens



RAK-JOY PRODUCT LIST

DROP IN WASH BASINS | Lavabi da incasso | Plan vasque | Drop-in Waschbecken | Встраиваемая раковина



41 x 23CM



61 x 46CM



81 x 46CM



101 x 46CM



121 x 46CM



FOR VANITY

RAK-JOY + RAK-PRECIOUS

RAK Precious drop in washbasins and countertop solutions can be combined with your favorite RAK-Joy bathroom vanity. RAK-Precious are available in 6 different finishes and colors, perfectly compatible with RAK-Joy.



I lavabi da incasso RAK-Precious ed i piani d'appoggio possono essere combinati al tuo mobile bagno RAK-Joy preferito. La gamma RAK-Joy e' disponibile in 6 diverse finiture, perfettamente compatibili con colori e finiture RAK-Precious.



Les lavabos à encastrer de RAK-Precious et les plans de toilette peuvent être combinés avec votre meuble de salle de bains préféré de RAK-Joy. La gamme RAK-Joy est disponible en 6 finitures différentes, parfaitement compatibles avec les couleurs et les finitures de RAK-Precious.



Die Einbauwaschbecken von RAK-Precious sowie die Auflageflächen können mit Ihrem bevorzugten Badezimmermöbelstück kombiniert werden. Die gesamte Bandbreite von RAK-Joy ist in 6 verschiedenen Oberflächen verfügbar, die mit den Farben und Oberflächen von RAK-Precious bestens kompatibel sind.



Встраиваемые и монтирующиеся на столешницу раковины от RAK-Precious можно комбинировать с наиболее понравившейся тумбой из коллекции RAK-Joy. На выбор предлагается 6 различных отделки тумб RAK-Joy, которые идеально сочетаются с цветовой гаммой и отделочными материалами компании RAK-Precious.



WALL HUNG VANITY UNITS

Mobili sospesi | Meubles suspendus | Waschtisch wandhängend | Подвесная тумба



W 40 x D 22 x H 60CM
JOYWH040UGY



W 60 x D 46 x H 60CM
JOYWH060UGY



W 80 x D 46 x H 60CM
JOYWH080UGY

WALL HUNG VANITY UNITS

Mobili sospesi | Meubles suspendus | Waschtisch wandhängend | Подвесная тумба



W 100 x D 46 x H 60CM
JOYWH100UGY

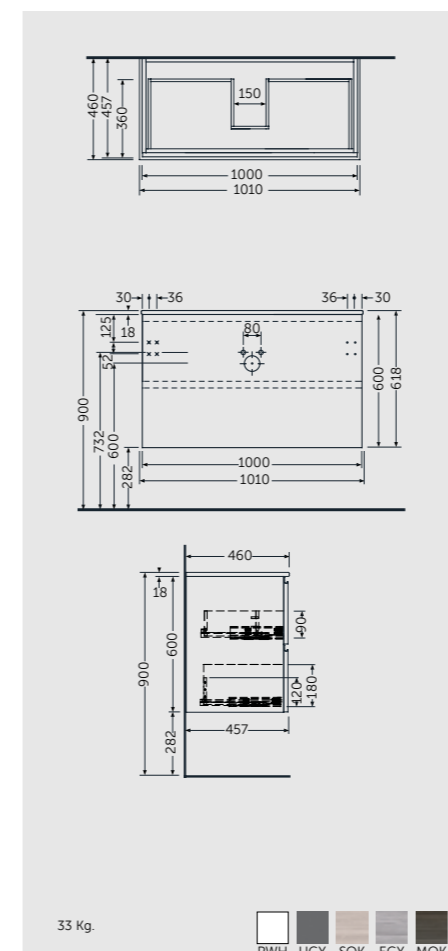
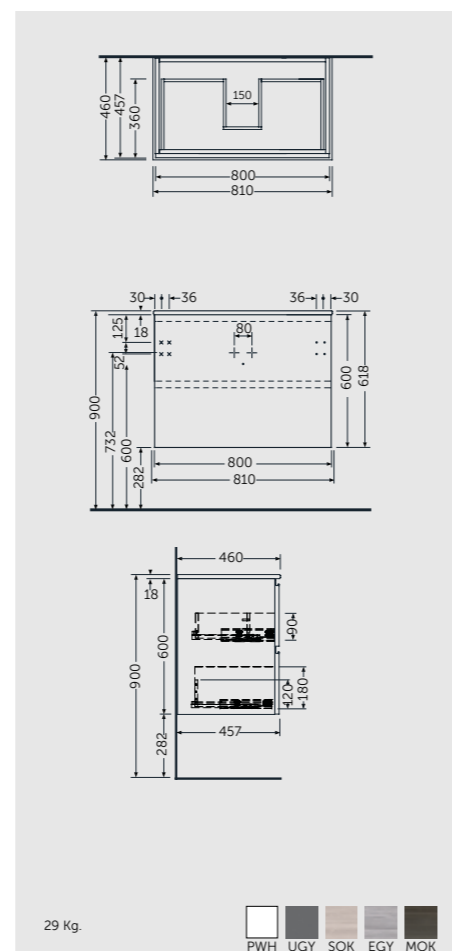
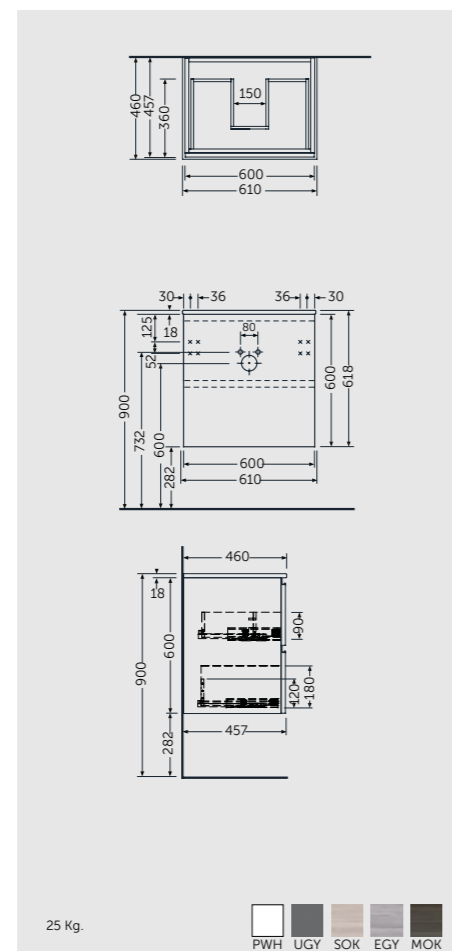
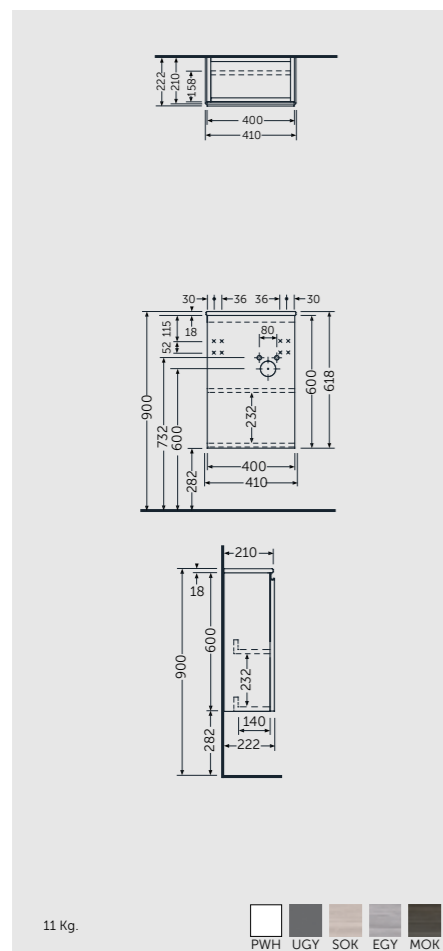


120cm = 2x W 60CM Units
JOYWH060UGY x2



FOR VANITY (RAK-JOY)
PP WHITE : BTRWBPPR021
Inspectionable

Measurements | Misure | Dimensions | Abmessungen | Размеры



160cm = 2x W 80CM Units
JOYWH080UGY x2



200cm = 2x W 100CM Units
JOYWH100UGY x2

Note | Nota | Remarque | Hinweis | Примечание

All dimensions in mm tolerance $\pm 5\%$ for below 200mm and $\pm 3\%$ for above 200mm | Tutte le dimensioni hanno una tolleranza di $\pm 5\%$ mm al di sotto dei 200mm e di $\pm 3\%$ mm al di sopra dei 200mm | Toutes les dimensions en mm tolérance $\pm 5\%$ pour moins de 200mm et $\pm 3\%$ pour plus de 200mm/ Alle Abmessungen in mm, Toleranz $\pm 5\%$ für unter 200mm, und $\pm 3\%$ für über 200mm | Все размеры указаны в мм, погрешность $\pm 5\%$ ниже 200 мм и $\pm 3\%$ выше 200 мм

OPEN STORAGE UNITS | Vani a vista | Unités de stockage ouvertes | Unidades de almacenamiento abierto | Offene Lagerungseinheiten | Открытые ячейки

TALL CABINET UNIT
Colonna sospesa | Colonne Suspendue | Hochschrank | Высокий подвесной шкаф



20 CM
JOYOS020MGY

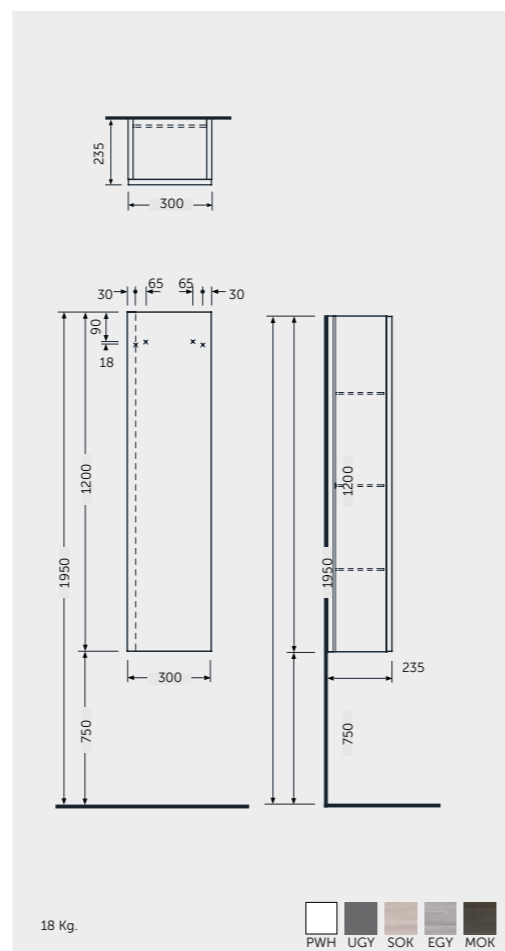
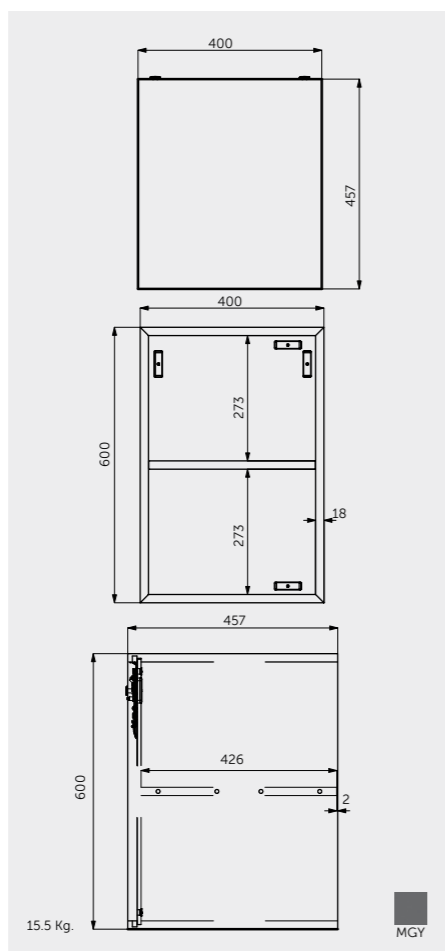
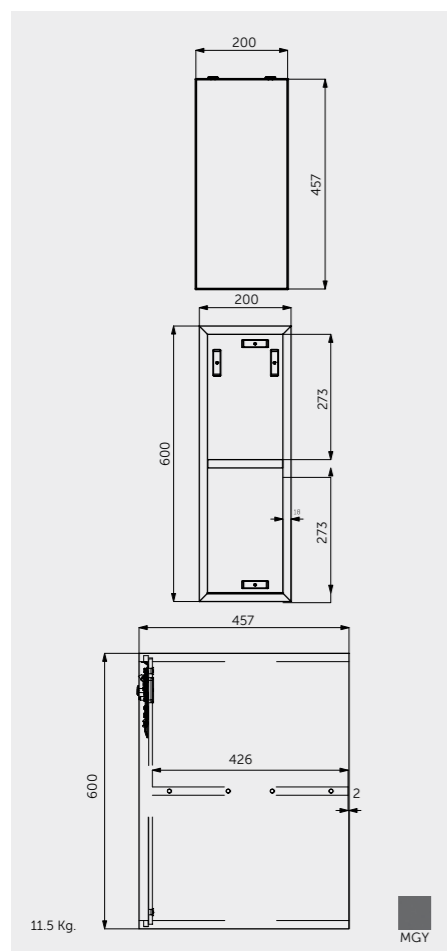


40 CM
JOYOS040MGY



W 30 x D 23 x H 120CM
JOYTS120UGY

Measurements | Misure | Dimensions | Abmessungen | Размеры



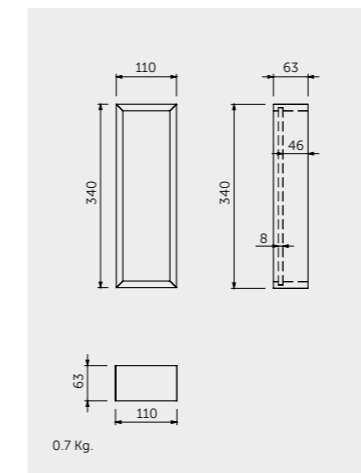


DRAWER INSERT ORGANISERS | Organizzatori per cassetto | Organiseur pour tiroirs | Schubladeneinsätze Einteiler | Органайзеры для выдвижных ящиков

TOP DRAWER INSERT
 Organizzatori per cassetto
 Organiseur pour tiroirs
 Schubladeneinsätze Einteiler
 Вкладыш в верхний ящик



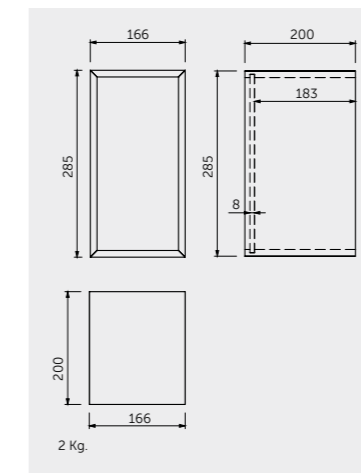
H 6 x W 11 x D 34CM
 ANTHRACITE
 JOYDIST



BOTTOM DRAWER INSERT
 Organizzatori per cassetto
 Organiseur pour tiroirs
 Schubladeneinsätze Einteiler
 Вкладыш в нижний ящик



H 20 x W 16 x D 29CM
 ANTHRACITE
 JOYDILB

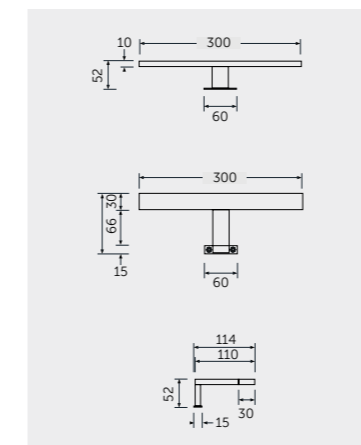


LIGHTS | Luci | Lumières | wandhängend | Подсветка

TOP MOUNTED T-BAR LIGHT
 Luce "a T" montabile in alto
 Spot en t-bar montée sur le dessus
 T-bar Aufsatzlicht
 T-образная подсветка с верхним креплением



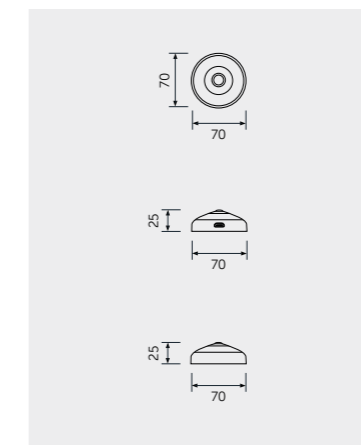
BRASS: JOYTB6000CR ABS: JOYTB6000CR1
 Cool White 6000K
 450 Lumens



USB RECHARGABLE LIGHT
 Luce ricaricabile del USB
 Lumière USB rechargeable
 USB rechargeable Licht
 Заряжаемая от USB подсветка



JOYUSBRCCR
 Natural White 4000K
 150 Lumens





W 100 x D 3 x H 68 CM
JOYMR10068LED

W 100 x D 46 X H 60 CM
JOYWH100EGY



EGY



W 80 x D 3 x H 68 CM
JOYMR08068STD

W 80 x D 46 X H 60 CM
JOYWH080PWH

40 CM
JOYOS040MGY



PWH



MGY



W 100 x D 3 x H 68CM
JOYMR10068LED

W 100 x D46 X H60 CM
JOYWH100SOK

SOK

DROP IN WASH BASINS | Lavabi da incasso | Plan vasque | Drop-in Waschbecken | Встраиваемая раковина



41 x 22CM
JOYWB4106AWHA

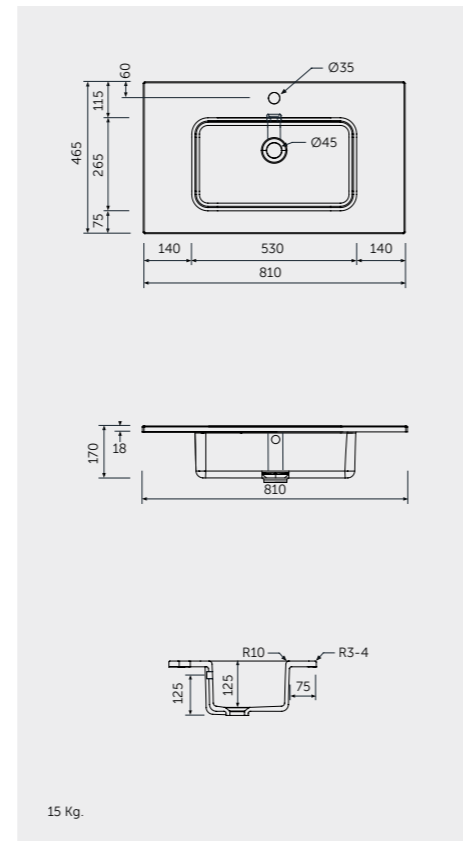
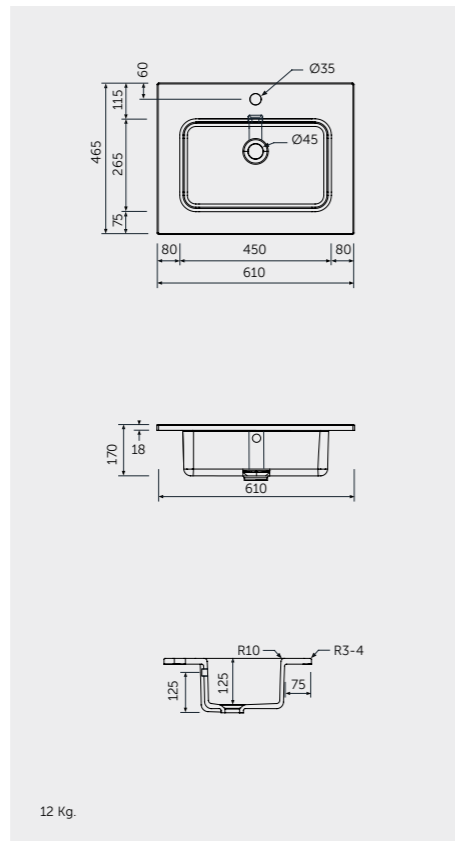
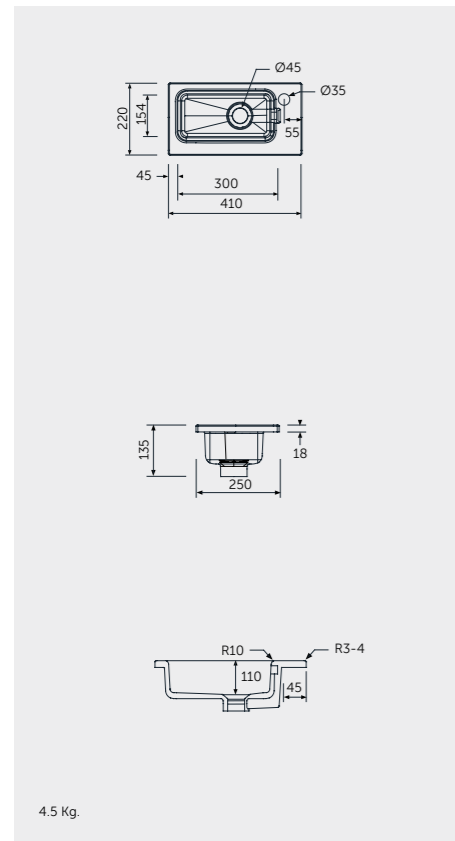


61 x 46CM
JOYDI06101WH



81 x 46CM
JOYDI08101WH

Measurements | Misure | Dimensions | Abmessungen | Размеры



DROP IN WASH BASINS | Lavabi da incasso | Plan vasque | Drop-in Waschbecken | Встраиваемая раковина

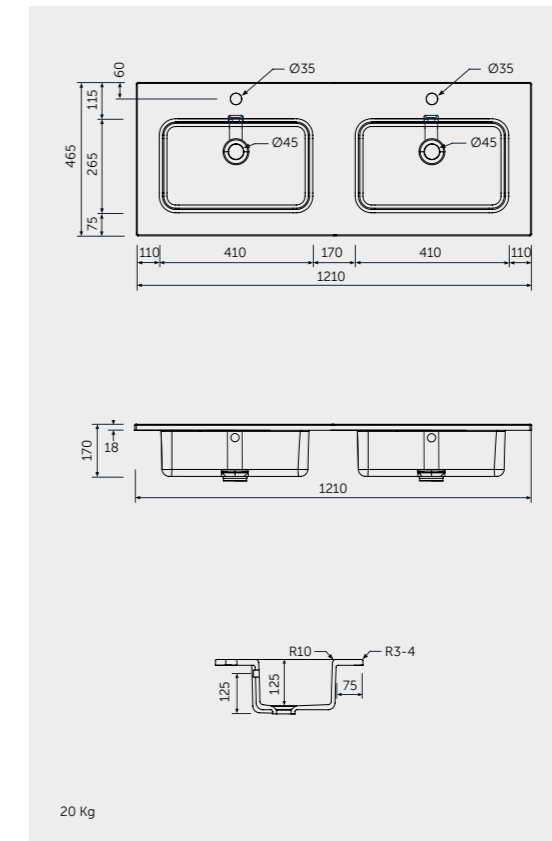
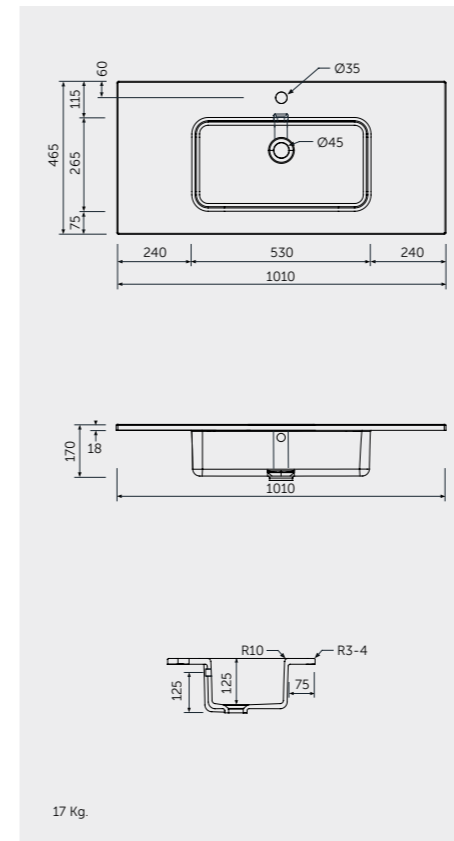


101 x 46CM
JOYDI10101WH



121 x 46CM
JOYDI12102WH

Measurements | Misure | Dimensions | Abmessungen | Размеры



FOR VANITY (RAK-JOY)
PP WHITE : BTRWBPPR021
Inspectionable



FOR VANITY (RAK-JOY UNO)
PP WHITE : BTRWBPPR022
Inspectionable
Space Saving

Note | Nota | Remarque | Hinweis | Примечание

All dimensions in mm tolerance $\pm 5\%$ for below 200mm and $\pm 3\%$ for above 200mm | Tutte le dimensioni hanno una tolleranza di $\pm 5\%$ mm al di sotto dei 200mm e di $\pm 3\%$ mm al di sopra dei 200mm | Toutes les dimensions en mm tolérance $\pm 5\%$ pour moins de 200mm et $\pm 3\%$ pour plus de 200mm/ Alle Abmessungen in mm, Toleranz $\pm 5\%$ für unter 200mm, und $\pm 3\%$ für über 200mm | Все размеры указаны в мм, погрешность $\pm 5\%$ ниже 200 мм и $\pm 3\%$ выше 200 мм

WASH BASINS / RAK-DES

DROP IN WASH BASINS | Lavabi da incasso | Plan vasque | Drop-in Waschbecken | Встраиваемая раковина



61 x 46 CM
DESWB06101AWHA

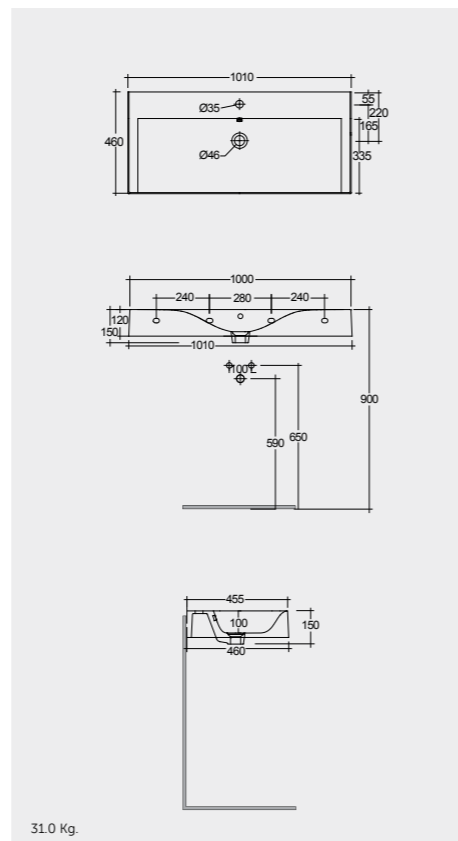
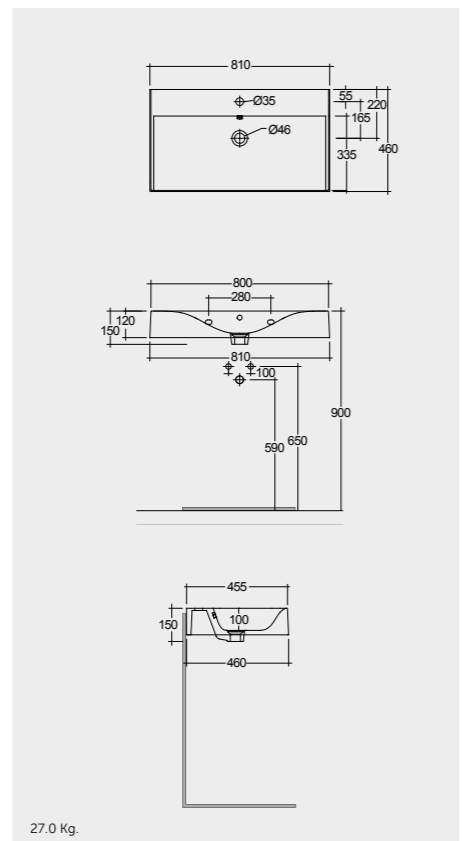
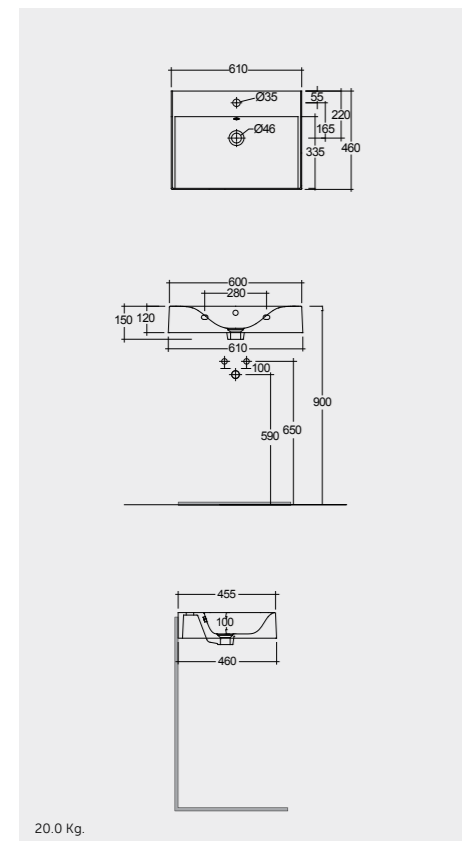


81 x 46 CM
DESWB08101AWHA



101 x 46 CM
DESWB10101AWHA

Measurements | Misure | Dimensions | Abmessungen | Размеры



Note | Nota | Remarque | Hinweis | Примечание

All dimensions in mm tolerance ±5% for below 200mm and ±3% for above 200mm | Tutte le dimensioni hanno una tolleranza di ±5% mm al di sotto dei 200mm e di ±3% mm al di sopra dei 200mm | Toutes les dimensions en mm tolérance ±5% pour moins de 200mm et ±3% pour plus de 200mm/ Alle Abmessungen in mm, Toleranz ±5% für unter 200mm, und ±3% für über 200mm | Все размеры указаны в мм, погрешность ±5% ниже 200 мм и ±3% выше 200 мм

DROP IN WASH BASINS | Lavabi da incasso | Plan vasque | Drop-in Waschbecken | Встраиваемая раковина



121 x 46 CM
DESWB12101AWHA



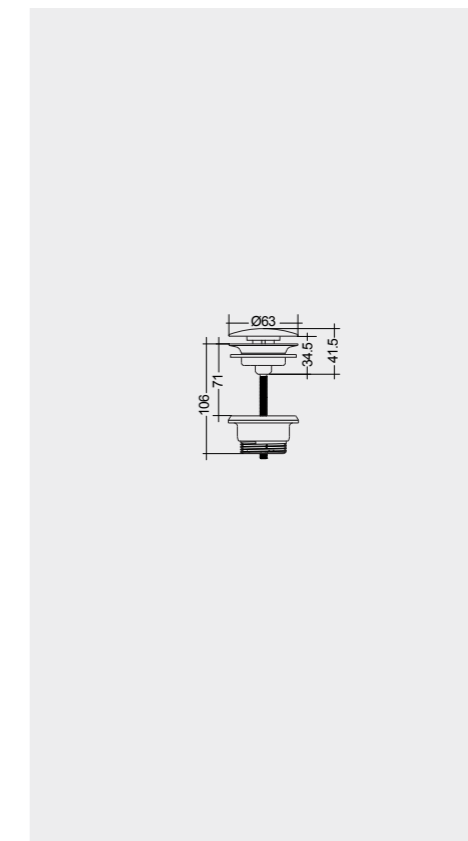
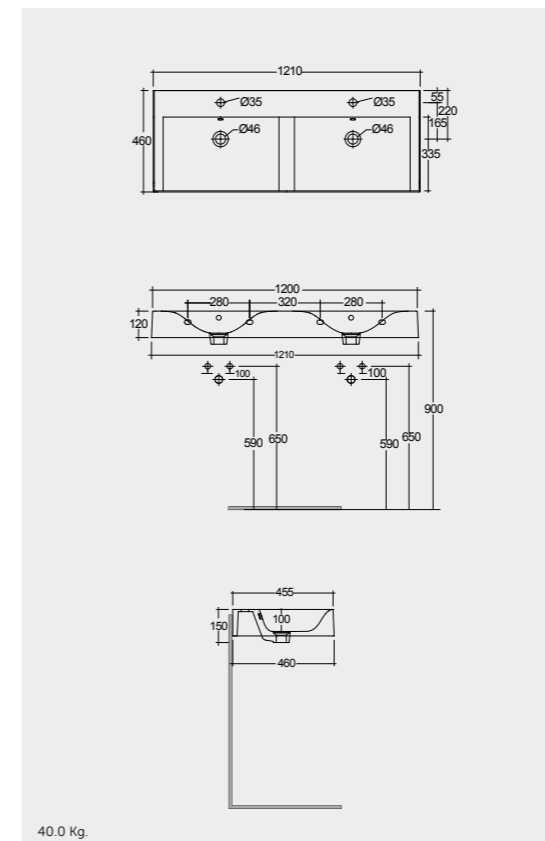
FREE-FLOW
CHROME : DUO002444

CLICK-CLACK
CHROME : DUO000444



FOR VANITY (RAK-JOY)
PP WHITE : BTRWBPPR021
Inspectionable

Measurements | Misure | Dimensions | Abmessungen | Размеры



WASH BASINS / RAK-DES

DROP IN WASH BASINS | Lavabi da incasso | Plan vasque | Drop-in Waschbecken | Встраиваемая раковина



61 x 46 CM
DESWB06100AWHA

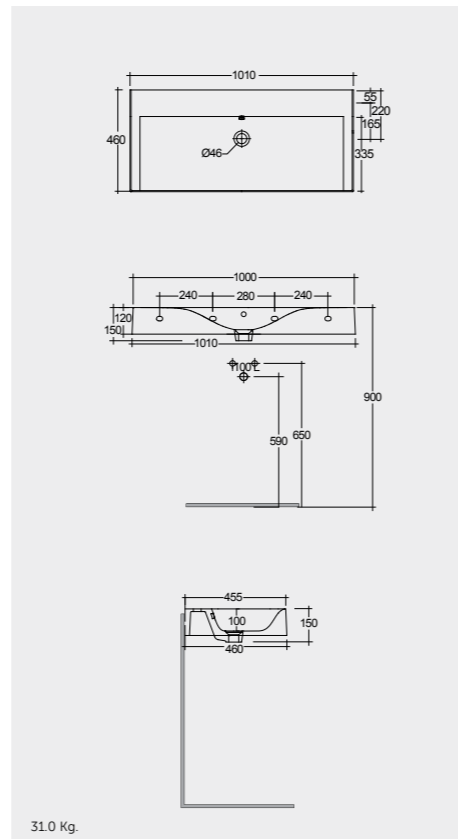
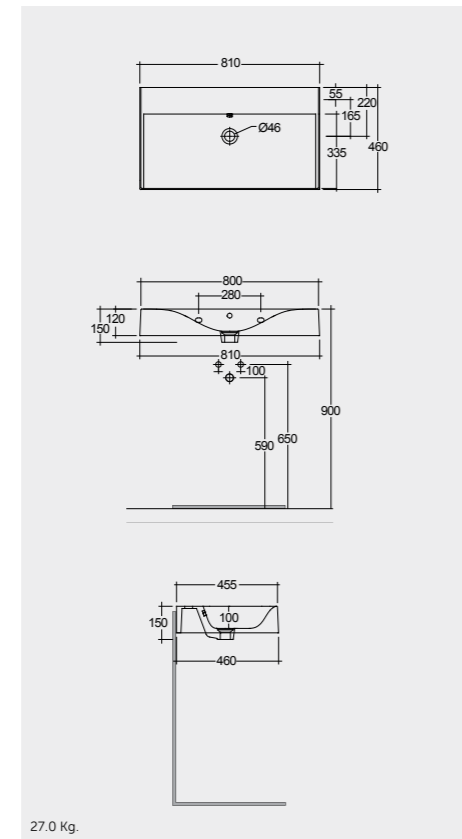
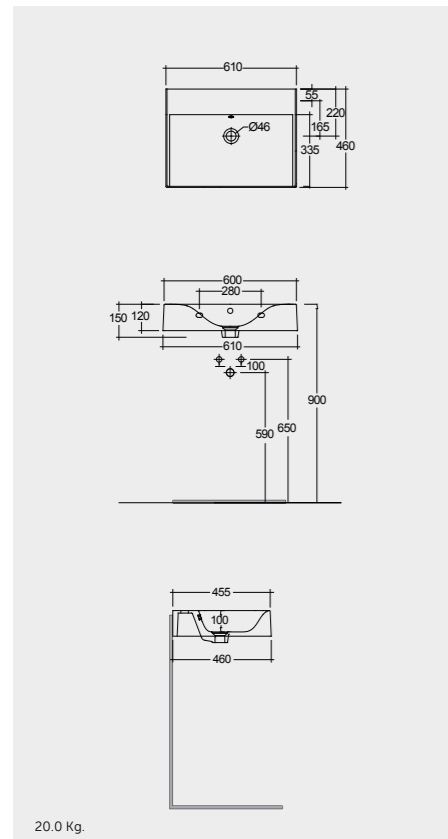


81 x 46 CM
DESWB08100AWHA



101 x 46 CM
DESWB10100AWHA

Measurements | Misure | Dimensions | Abmessungen | Размеры



DROP IN WASH BASINS | Lavabi da incasso | Plan vasque | Drop-in Waschbecken | Встраиваемая раковина



121 x 46 CM
DESWB12100AWHA



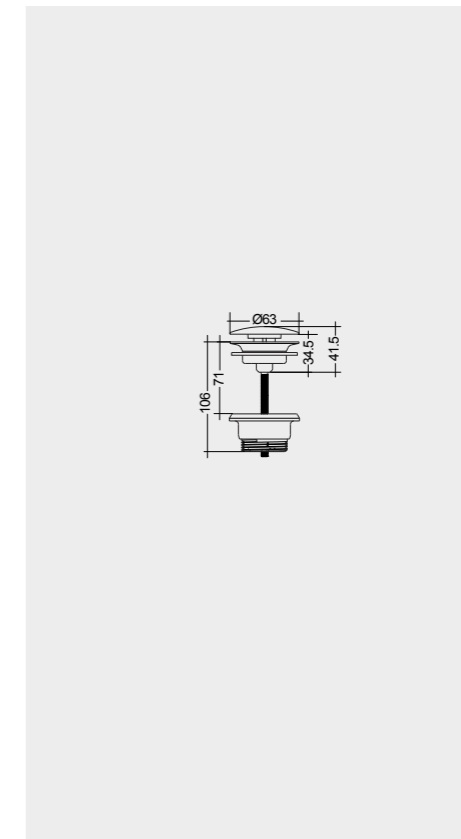
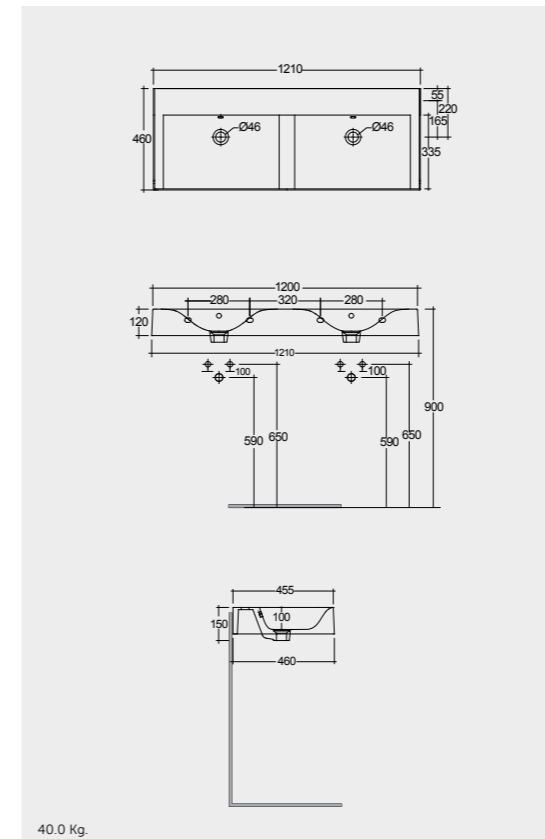
FREE-FLOW
CHROME : DUO002444

CLICK-CLACK
CHROME : DUO000444



FOR VANITY (RAK-JOY)
PP WHITE : BTRWBPPR021
Inspectionable

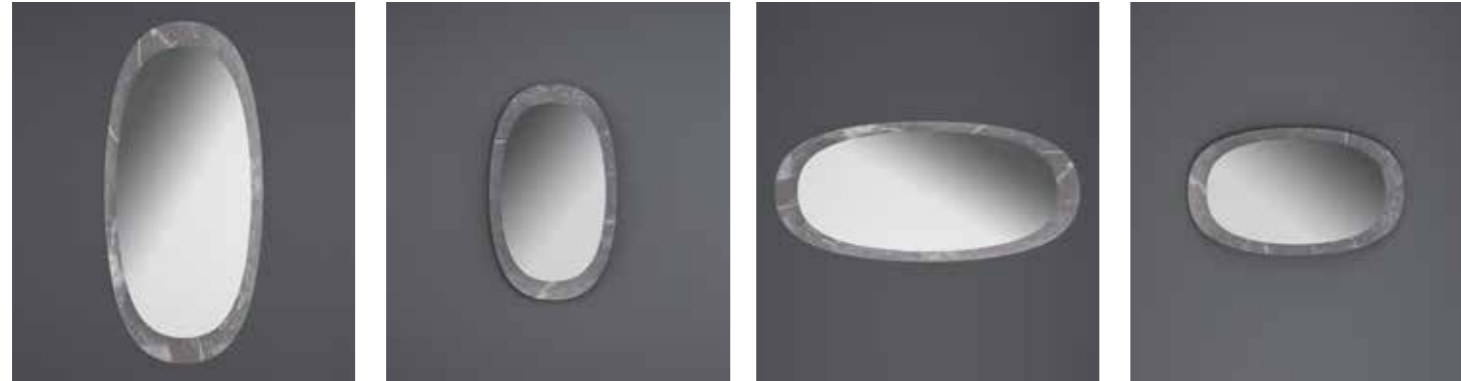
Measurements | Misure | Dimensions | Abmessungen | Размеры



FOR VANITY (RAK-JOY UNO)
PP WHITE : BTRWBPPR022
Inspectionable
Space Saving

MIRRORS & LIGHTS
SPECCHI E LUCI
MIROIRS ET LUMIÈRES
ESPEJOS Y LUCES
SPIEGEL & BELEUCHTUNGEN
SPIEGEL UND LICHTER
ЗЕРКАЛА И ПОДСВЕТКА

Models | Modelli | Modèles | Modelle | Модели



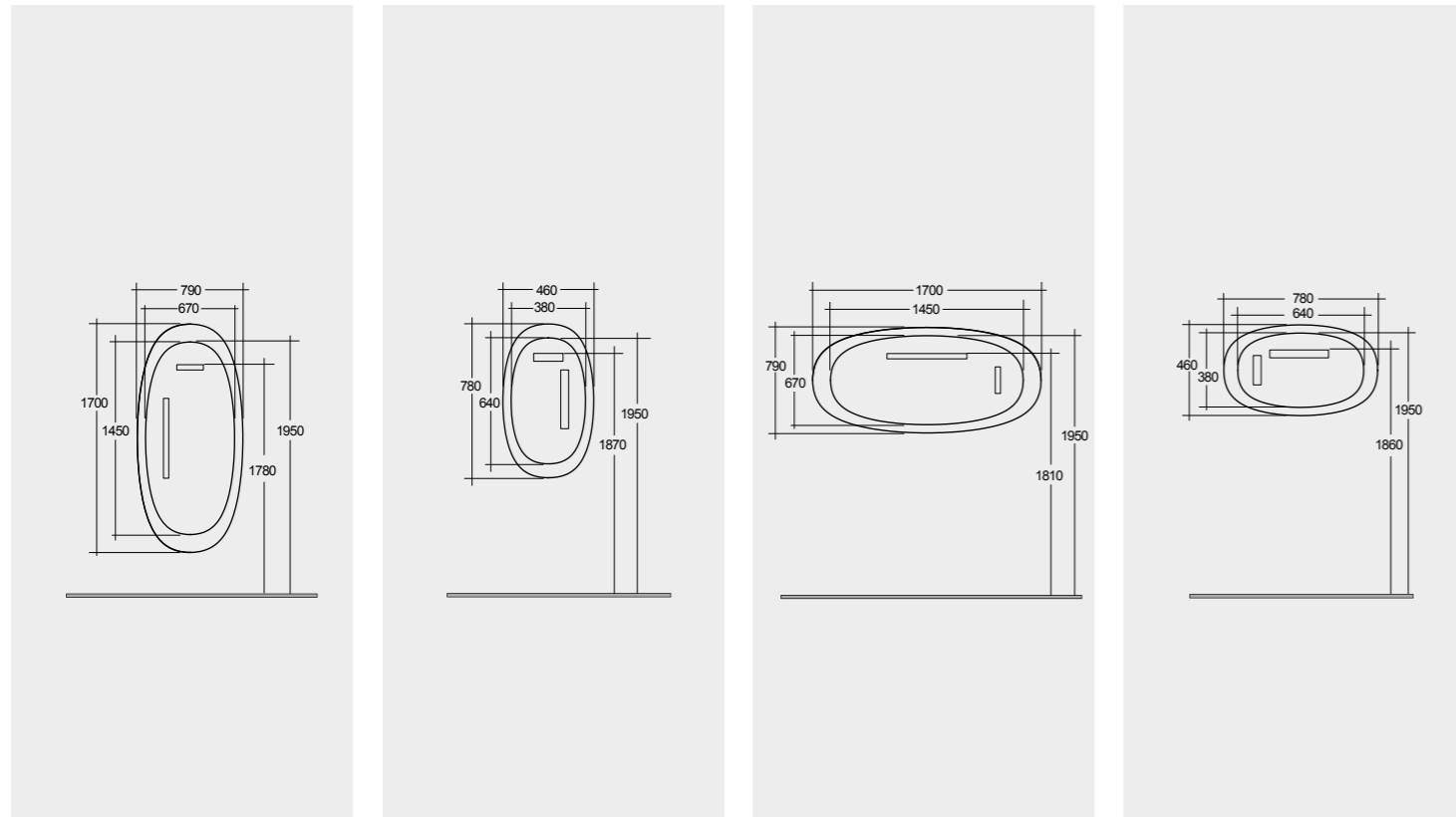
170x79 CM
CLOMR17079

78x46 CM
CLOMR07846

170x79 CM
CLOMR17079

78x46 CM
CLOMR07846

Measurements | Misure | Dimensions | Abmessungen | Размеры



Note | Nota | Remarque | Hinweis | Примечание

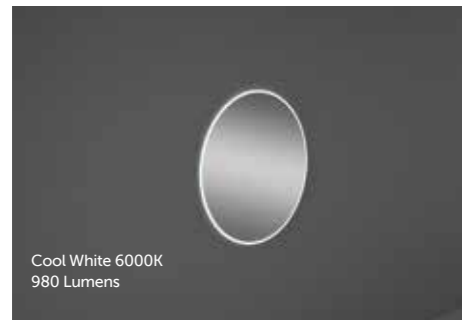
All dimensions in mm tolerance $\pm 5\%$ for below 200mm and $\pm 3\%$ for above 200mm | Tutte le dimensioni hanno una tolleranza di $\pm 5\%$ mm al di sotto dei 200mm e di $\pm 3\%$ mm al di sopra dei 200mm | Toutes les dimensions en mm tolérance $\pm 5\%$ pour moins de 200mm et $\pm 3\%$ pour plus de 200mm/ Alle Abmessungen in mm, Toleranz $\pm 5\%$ für unter 200mm, und $\pm 3\%$ für über 200mm | Все размеры указаны в мм, погрешность $\pm 5\%$ ниже 200 мм и $\pm 3\%$ выше 200 мм



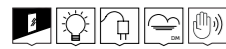
55 CM
CLOWB5501AWHA

78x46 CM
CLOMR07846

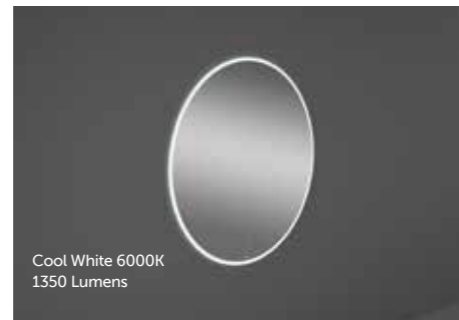
MIRRORS | Specchi | Miroirs | Spiegel | Зеркала



Cool White 6000K
980 Lumens



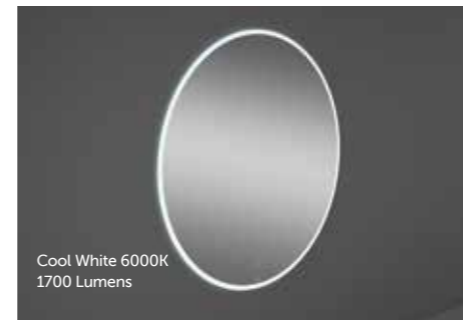
W 60 x D 3 x H 60CM
JOYMR06000LED



Cool White 6000K
1350 Lumens



W 80 x D 3 x H 80CM
JOYMR08000LED

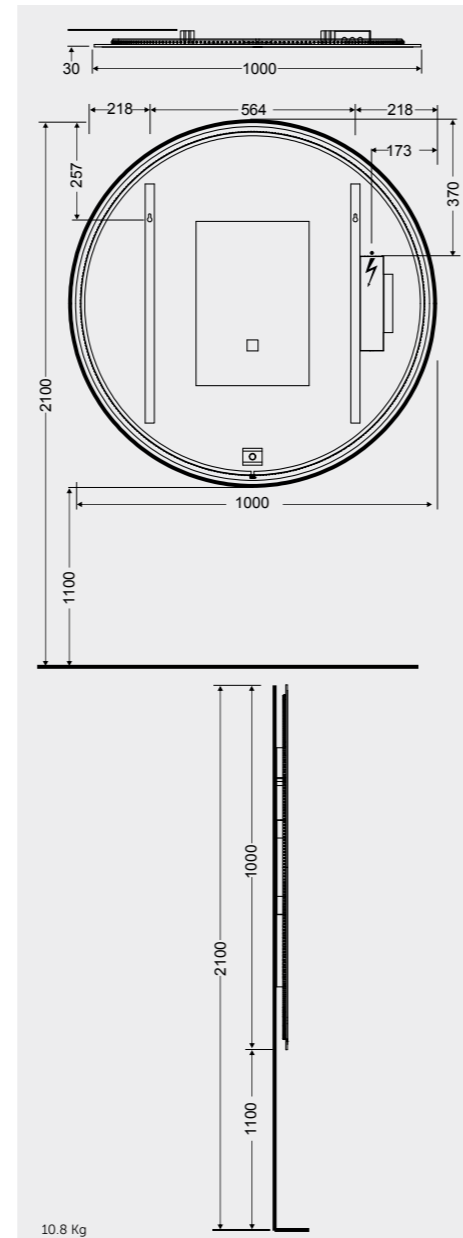
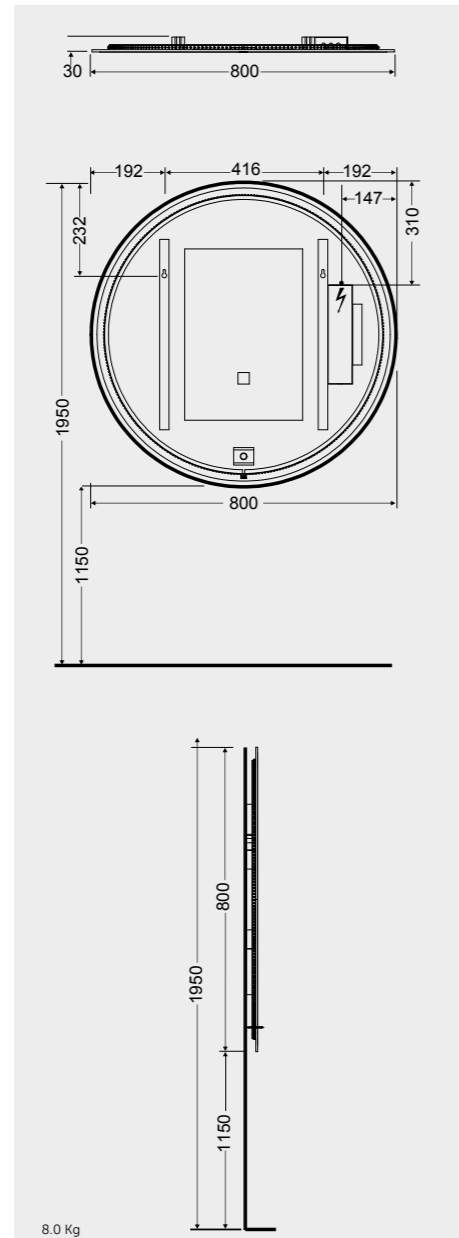
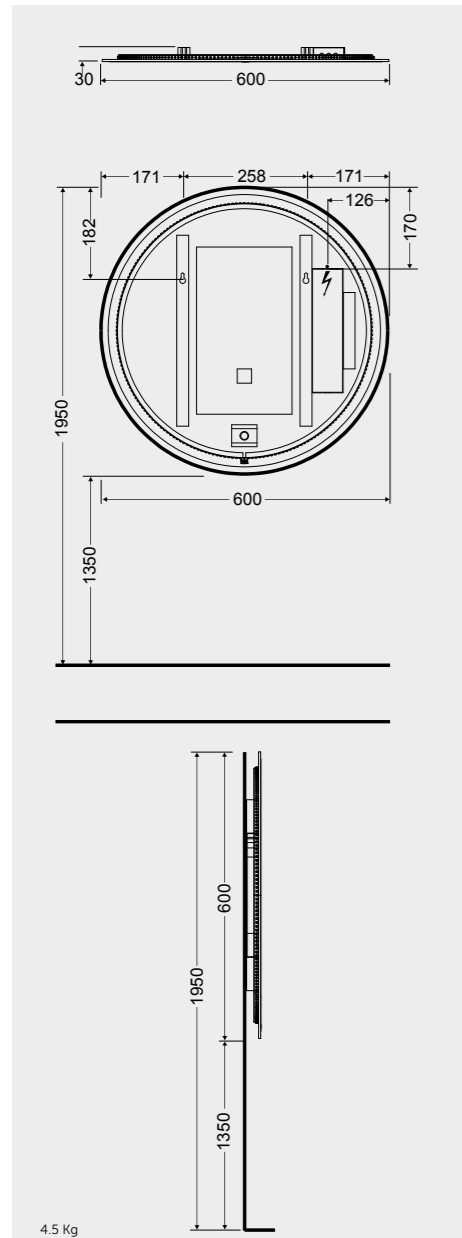


Cool White 6000K
1700 Lumens



W 100 x D 3 x H 100CM
JOYMR10000LED

Measurements | Misure | Dimensions | Abmessungen | Размеры



MIRROR CABINETS | Specchi contenitivi | Mirrors armoires toilette | Spiegel Schränke | Зеркала шкафчики



W 40 x D 18 x H 68CM
JOYMC04001

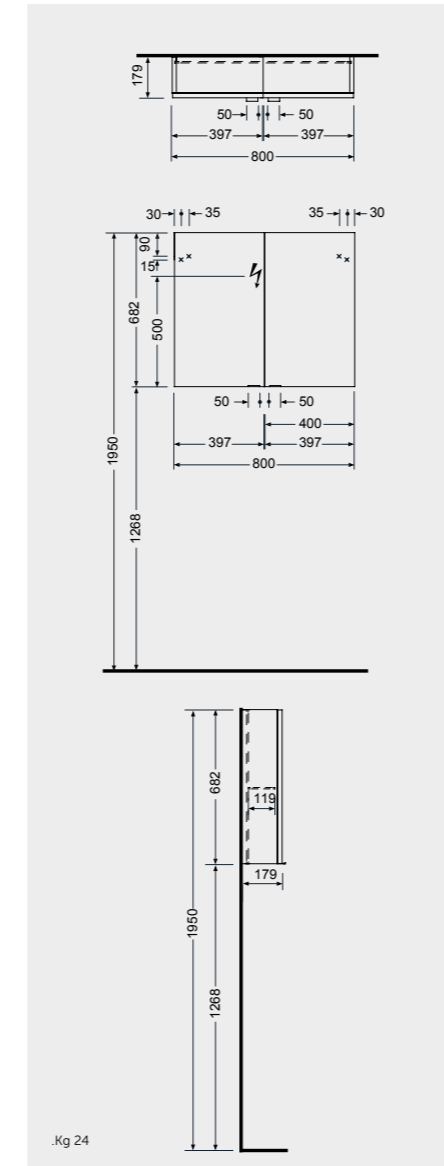
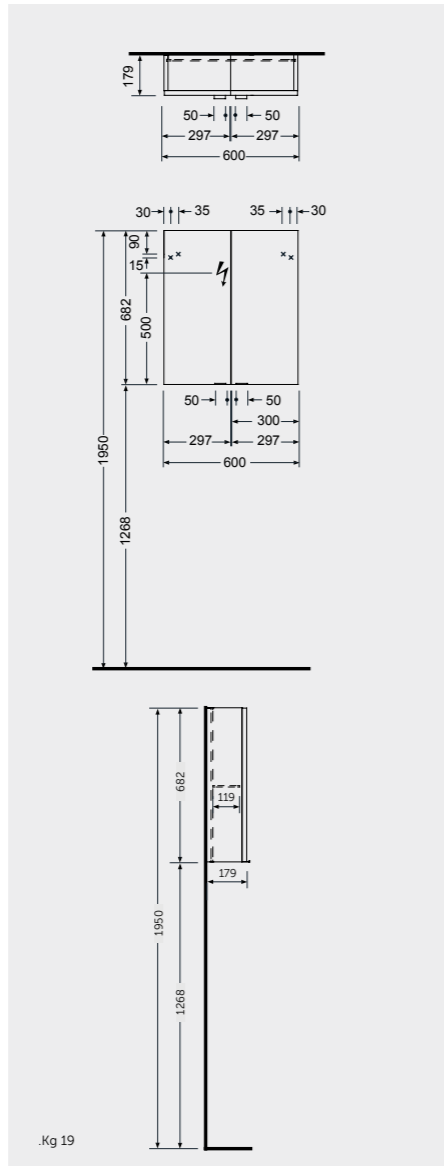
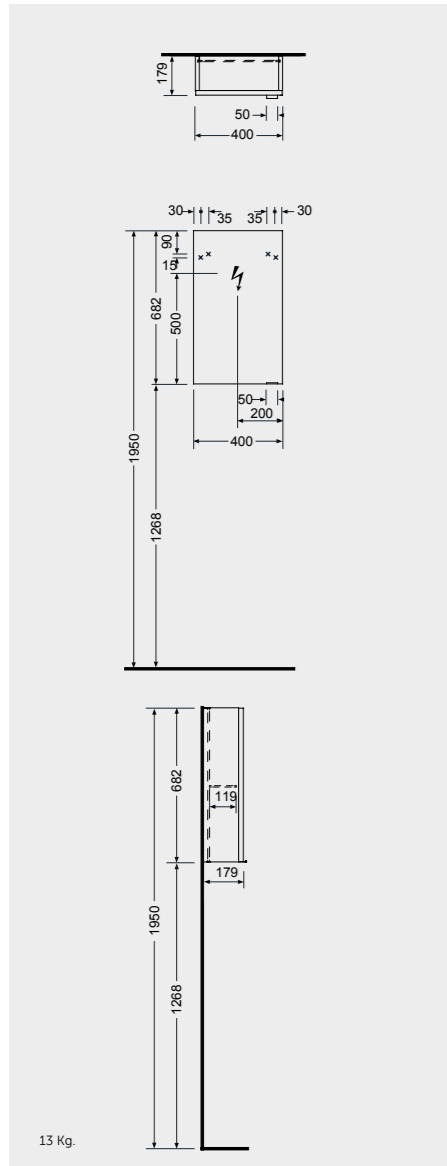


W 60 x D 18 x H 68CM
JOYMC06002



W 80 x D 18 x H 68CM
JOYMC08002

Measurements | Misure | Dimensions | Abmessungen | Размеры



Note | Nota | Remarque | Hinweis | Примечание

All dimensions in mm tolerance $\pm 5\%$ for below 200mm and $\pm 3\%$ for above 200mm | Tutte le dimensioni hanno una tolleranza di $\pm 5\%$ mm al di sotto dei 200mm e di $\pm 3\%$ mm al di sopra dei 200mm | Toutes les dimensions en mm tolérance $\pm 5\%$ pour moins de 200mm et $\pm 3\%$ pour plus de 200mm/ Alle Abmessungen in mm, Toleranz $\pm 5\%$ für unter 200mm, und $\pm 3\%$ für über 200mm | Все размеры указаны в мм, погрешность $\pm 5\%$ ниже 200 мм и $\pm 3\%$ выше 200 мм

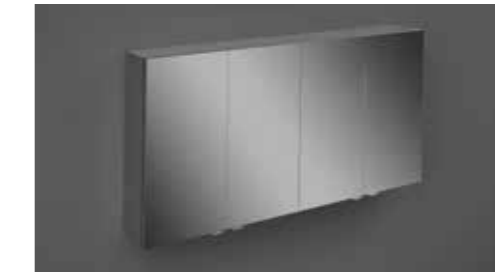
MIRROR CABINETS | Specchi contenitivi | Mirrors armoires toilette | Spiegel Schränke | Зеркала шкафчики



W 100 x D 18 x H 68CM
JOYMC10003



120CM = 2x W 60 x D 18 x H 68CM Cabinets
JOYMC06002 x2



160CM = 2x W 80 x D 18 x H 68CM Cabinets
JOYMC08002 x2



200CM = 2x W 100 x D 18 x H 68CM Cabinets
JOYMC10003 x2



BRASS: JOYTB6000CR
ABS: JOYTB6000CR1
Cool White 6000K
450 Lumens



JOYUSBRCCR
Neutral White 4000K
150 Lumens

MIRRORS | Specchi | Miroirs | Spiegel | Зеркала



W 40 x D 3 x H 68CM
JOYMR04068STD

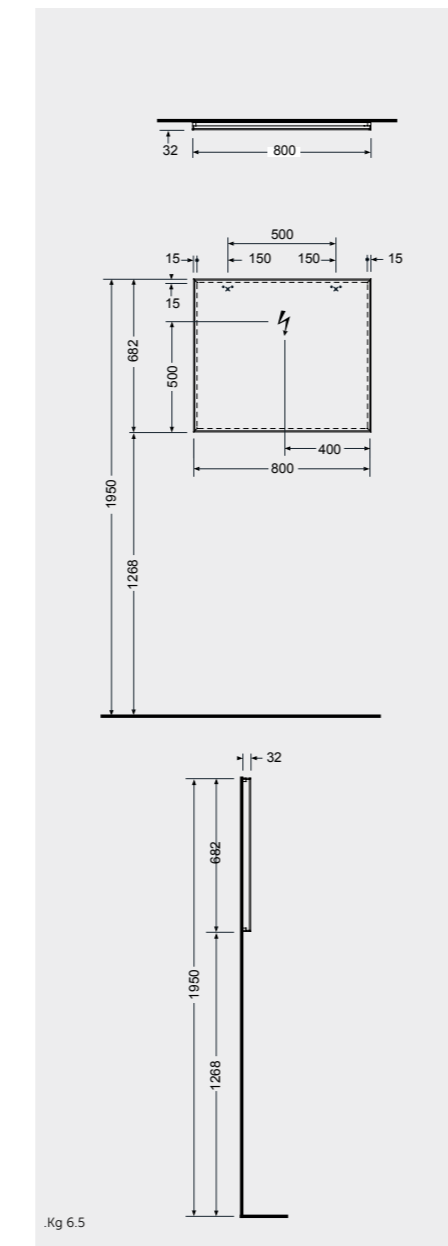
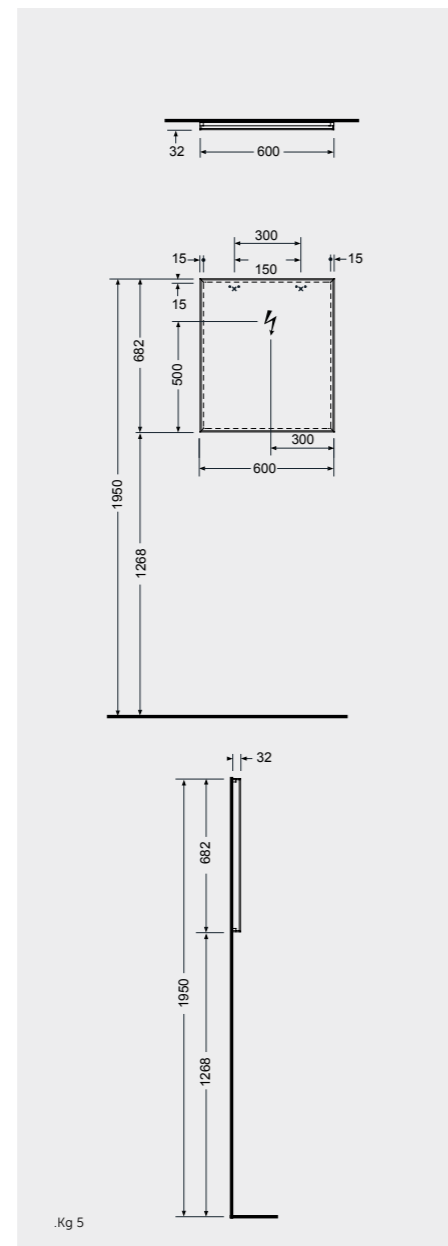
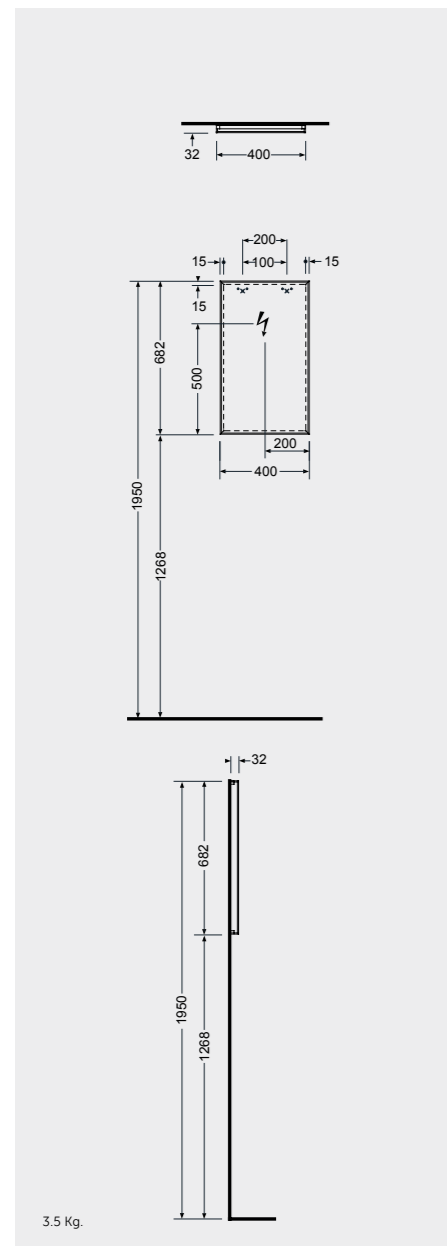


W 60 x D3 x H 68CM
JOYMR06068STD



W 80 x D 3 x H 68CM
JOYMR08068STD

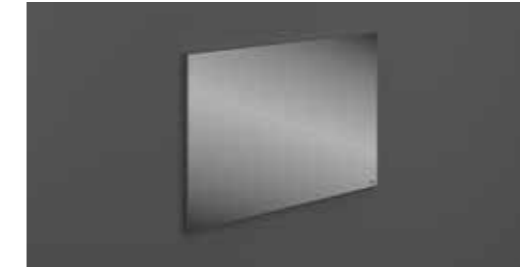
Measurements | Misure | Dimensions | Abmessungen | Размеры



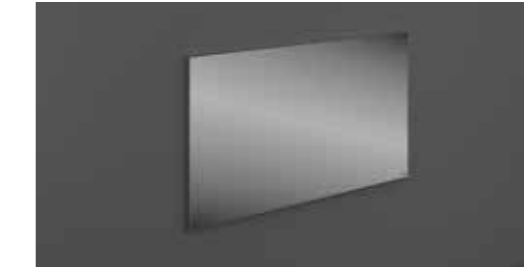
Note | Nota | Remarque | Hinweis | Примечание

All dimensions in mm tolerance $\pm 5\%$ for below 200mm and $\pm 3\%$ for above 200mm | Tutte le dimensioni hanno una tolleranza di $\pm 5\%$ mm al di sotto dei 200mm e di $\pm 3\%$ mm al di sopra dei 200mm | Toutes les dimensions en mm tolérance $\pm 5\%$ pour moins de 200mm et $\pm 3\%$ pour plus de 200mm/ Alle Abmessungen in mm, Toleranz $\pm 5\%$ für unter 200mm, und $\pm 3\%$ für über 200mm | Все размеры указаны в мм, погрешность $\pm 5\%$ ниже 200 мм и $\pm 3\%$ выше 200 мм

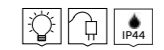
MIRRORS | Specchi | Miroirs | Spiegel | Зеркала



W 100 x D 3 x H 68CM
JOYMR10068STD

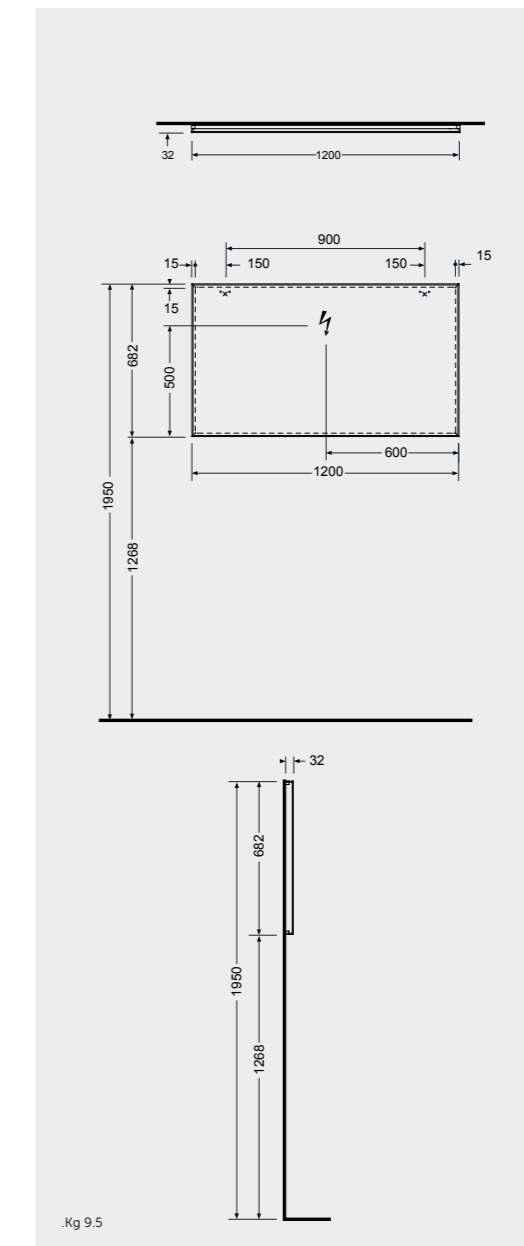
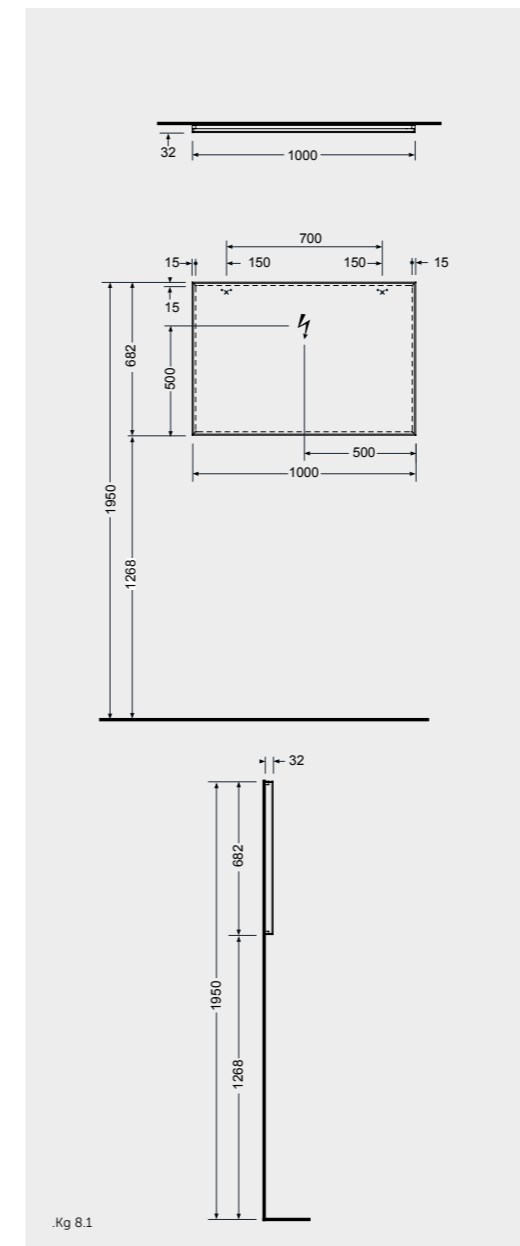


W 120 x D 3 x H 68CM
JOYMR12068STD



BRASS: JOYTB6000CR
ABS: JOYTB6000CR1
Cool White 6000K
450 Lumens

Measurements | Misure | Dimensions | Abmessungen | Размеры



MIRRORS | Specchi | Mirrors | Spiegel | Зеркала



W 40 x D 3 x H 68CM
JOYMR04068LED

Cool White 6000K
400 Lumens



W 60 x D 3 x H 68CM
JOYMR06068LED

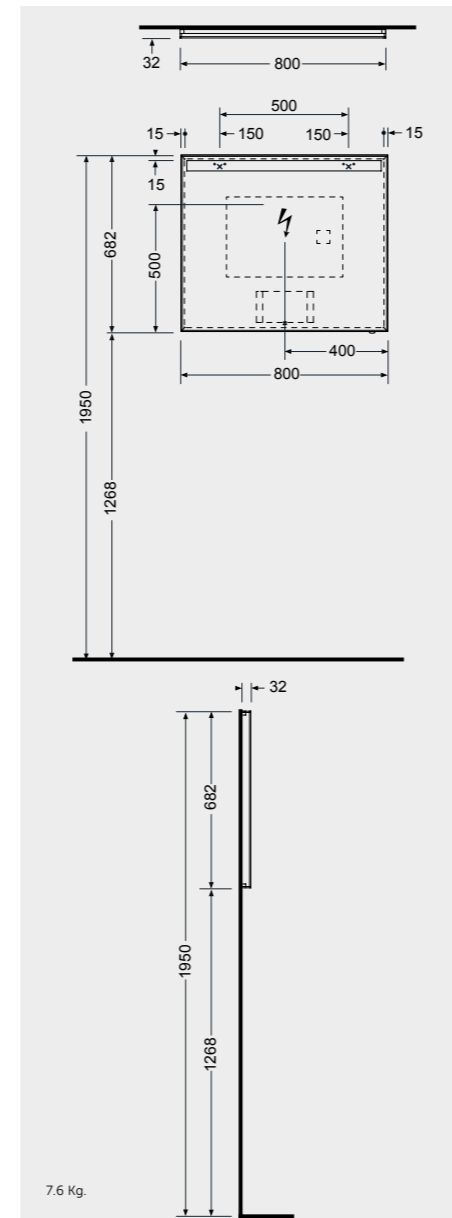
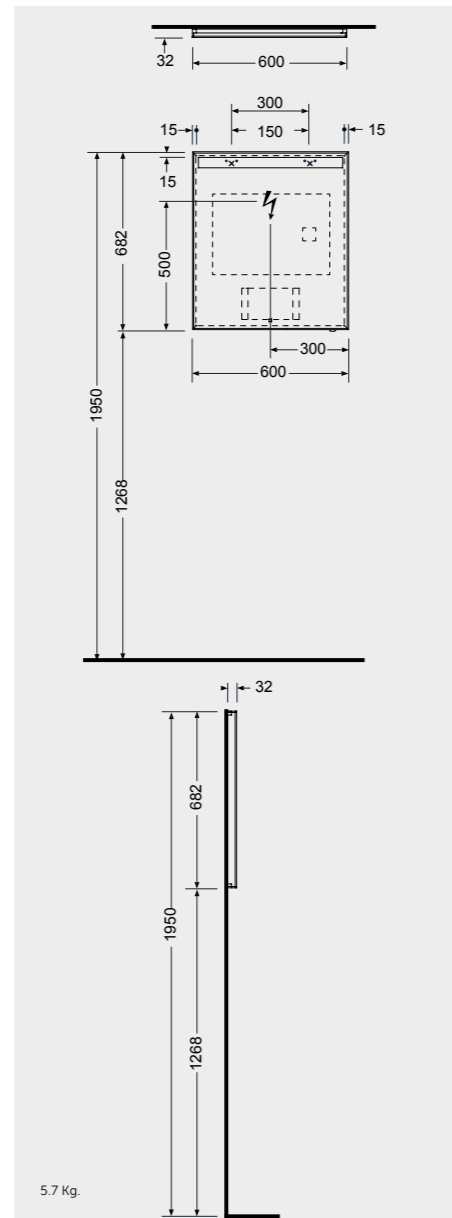
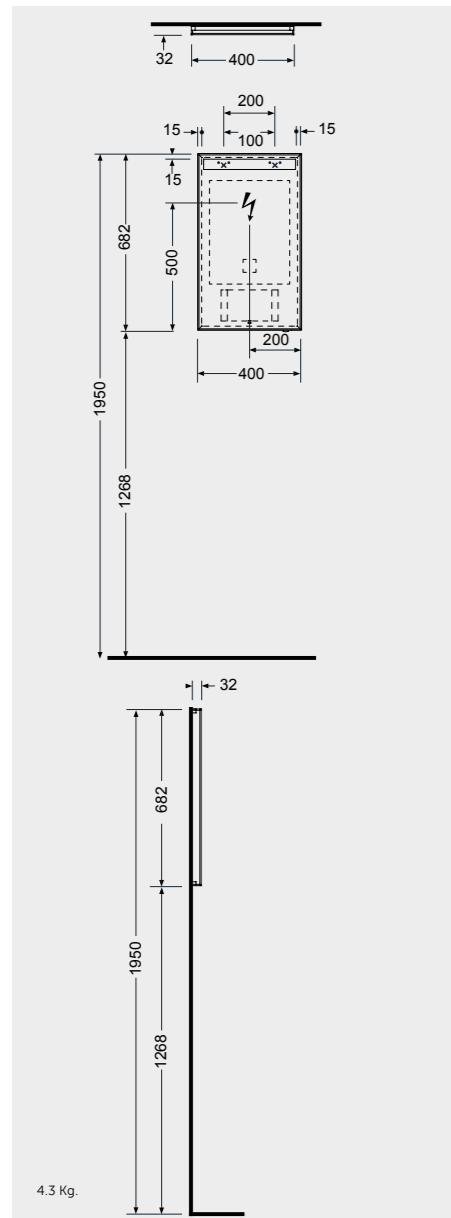
Cool White 6000K
400 Lumens



W 80 x D 3 x H 68CM
JOYMR08068LED

Cool White 6000K
500 Lumens

Measurements | Misure | Dimensions | Abmessungen | Размеры



Note | Nota | Remarque | Hinweis | Примечание

All dimensions in mm tolerance $\pm 5\%$ for below 200mm and $\pm 3\%$ for above 200mm | Tutte le dimensioni hanno una tolleranza di $\pm 5\%$ mm al di sotto dei 200mm e di $\pm 3\%$ mm al di sopra dei 200mm | Toutes les dimensions en mm tolérance $\pm 5\%$ pour moins de 200mm et $\pm 3\%$ pour plus de 200mm/ Alle Abmessungen in mm, Toleranz $\pm 5\%$ für unter 200mm, und $\pm 3\%$ für über 200mm | Все размеры указаны в мм, погрешность $\pm 5\%$ ниже 200 мм и $\pm 3\%$ выше 200 мм

MIRRORS | Specchi | Mirrors | Spiegel | Зеркала



W 100 x D 3 x H 68CM
JOYMR10068LED

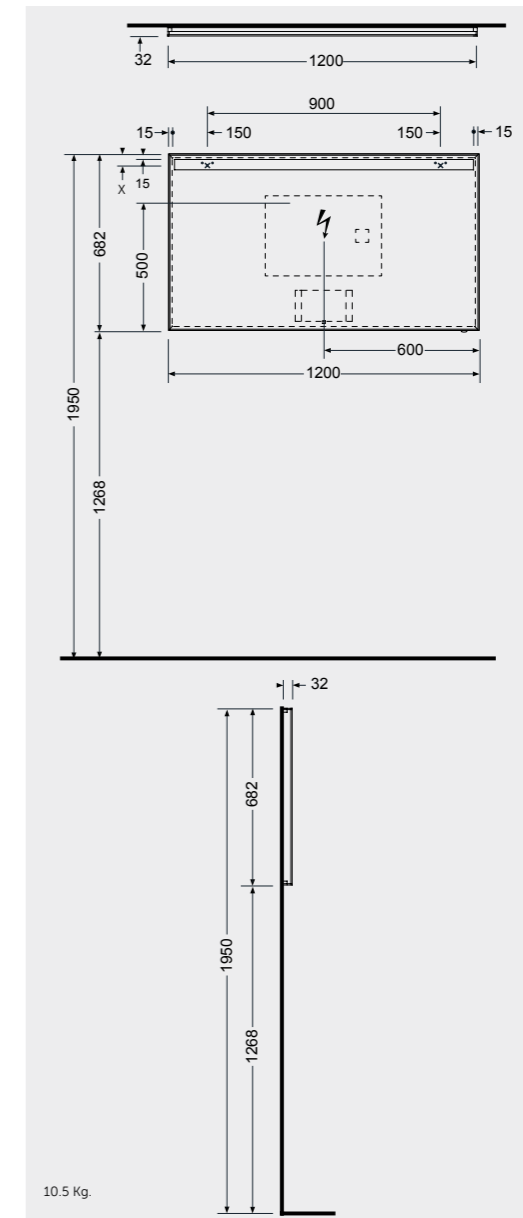
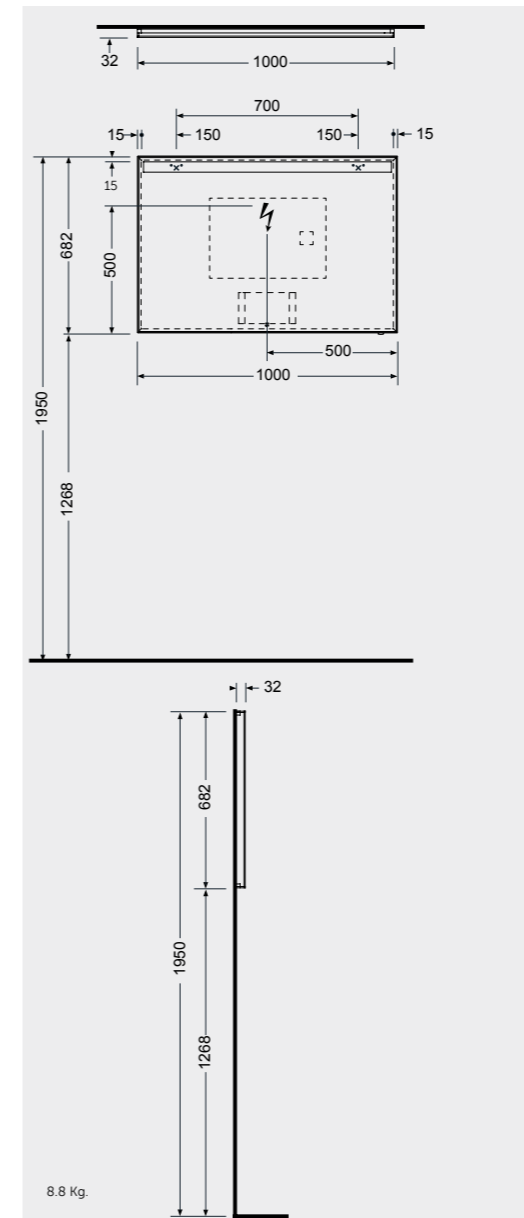
Cool White 6000K
700 Lumens



W 120 x D 3 x H 68CM
JOYMR12068LED

Cool White 6000K
900 Lumens

Measurements | Misure | Dimensions | Abmessungen | Размеры



BATHTUBS
VASCHE DA BAGNO
BAIGNOIRE
BADEWANNE
BAHHA

FREE STANDING BATHTUBS IN RAK SOLID

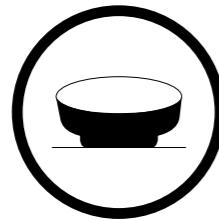
DESIGN AND FUNCTIONALITY

STILE E FUNZIONALITA' | STYLE ET FONCTIONNALITÉ | STIL UND FUNKTIONALITÄT | ДИЗАЙН И ФУНКЦИОНАЛЬНОСТЬ

RAK-Washington bathtubs are made of RAKSOLID, a durable material composed of a mixture of natural minerals and resins. The elegant matte white finish gives a distinctive feel to the bathing area, as well as a pleasant to the touch and more anti-slip safety.



PLEASANT TO TOUCH
PIACEVOLE AL TATTO
AGRÉABLE À TOUCHER
ANGENEHM ZUM TASTEN
ПРИЯТНО ПРИКАСАТЬСЯ



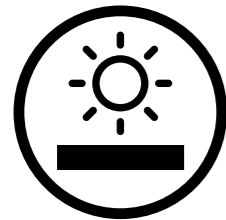
EXTERNAL LACQUERING
LACCATURA ESTERNA
LAQUAGE EXTÉRIEUR
AUSSENLACKIERUNG
ВНЕШНЯЯ ЛАКИРОВКА



HYGIENIC AND BACTERIOSTATIC
IGIENICO E BATTERIOSTATICO
HYGIÉNIQUE ET BACTÉRIOSTATIQUE
HYGIENISCH UND BAKTERIOSTATISCH
ГИГИЕНИЧНО И БАКТЕРИОСТАТИЧНО



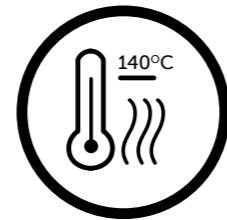
SLIP RESISTANCE
ANTISCIVOLO
ANTIGLISSANT
RUTSCHFEST
СОПРОТИВЛЯЕМОСТЬ СКОЛЬЖЕНИЮ



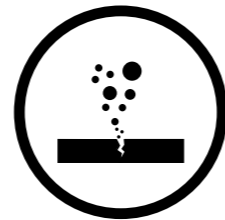
LIGHT FASTNESS
RESISTENTE ALLE VARIAZIONI DI LUCE
RÉSISTANT AUX VARIATIONS DE LUMIÈRE
RESISTENT GEGEN LICHTWECHSELWIRKUNGEN
СВЕТСТОЙКОСТЬ



RESISTANT TO CHEMICAL PRODUCTS
RESISTENTE AI PRODOTTI CHIMICI
RÉSISTANT AUX PRODUITS CHIMIQUES
RESISTENT GEGEN CHEMISCHE PRODUKTE
СОПРОТИВЛЯЕМОСТЬ ХИМИЧЕСКИМ ПРОДУКТАМ



HEAT RESISTANT UP TO 140°C
RESISTENZA AL CALORE FINO A 140°
RÉSISTANCE À LA CHALEUR JUSQU'À 140°
HITZBESTÄNDIGKEIT BIS 140°
СОПРОТИВЛЯЕМОСТЬ НАГРЕВУ (ДО 140°C)



REPAIR
RIPARABILE IN CASO DI GRAFFI
RÉPARABLES EN CAS D'ÉGRATIGNURES
REPARIERBAR BEI KRATZERN
ВОССТАНОВЛЕНИЕ



MATT WHITE (500)

MATT GREIGE (505)

MATT CAPPUCCINO (514)

MATT GREY (503)

MATT BLACK (504)

Models



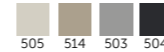
140X75 CM
CLOBT14075500

Drain Included

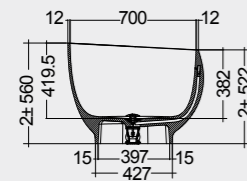
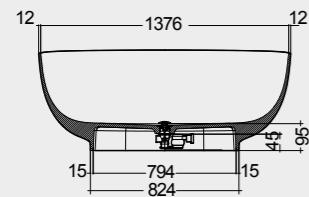
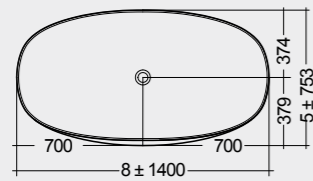


140X75 CM
CLOBT14075505

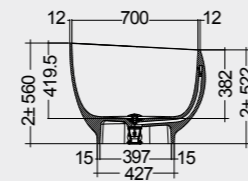
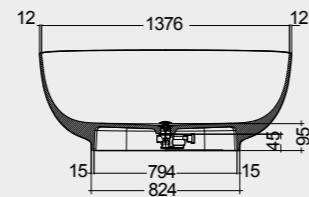
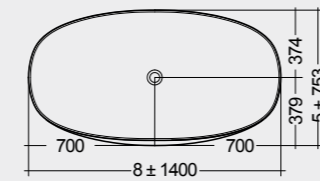
Drain Included



Measurements



125 kg.
172 L Capacity



125 kg.
172 L Capacity

Note | Nota | Remarque | Hinweis | Примечание

All dimensions in mm tolerance $\pm 5\%$ for below 200mm and $\pm 3\%$ for above 200mm | Tutte le dimensioni hanno una tolleranza di $\pm 5\%$ mm al di sotto dei 200mm e di $\pm 3\%$ mm al di sopra dei 200mm | Toutes les dimensions en mm tolérance $\pm 5\%$ pour moins de 200mm et $\pm 3\%$ pour plus de 200mm/ Alle Abmessungen in mm, Toleranz $\pm 5\%$ für unter 200mm, und $\pm 3\%$ für über 200mm | Все размеры указаны в мм, погрешность $\pm 5\%$ ниже 200 мм и $\pm 3\%$ выше 200 мм



156X81 CM
WTBT15681500



RAK-WASHINGTON

Models | Modelli | Modèles | Modelle | Модели



156X81 CM
WTBT15681500

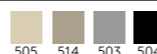
Drain Included



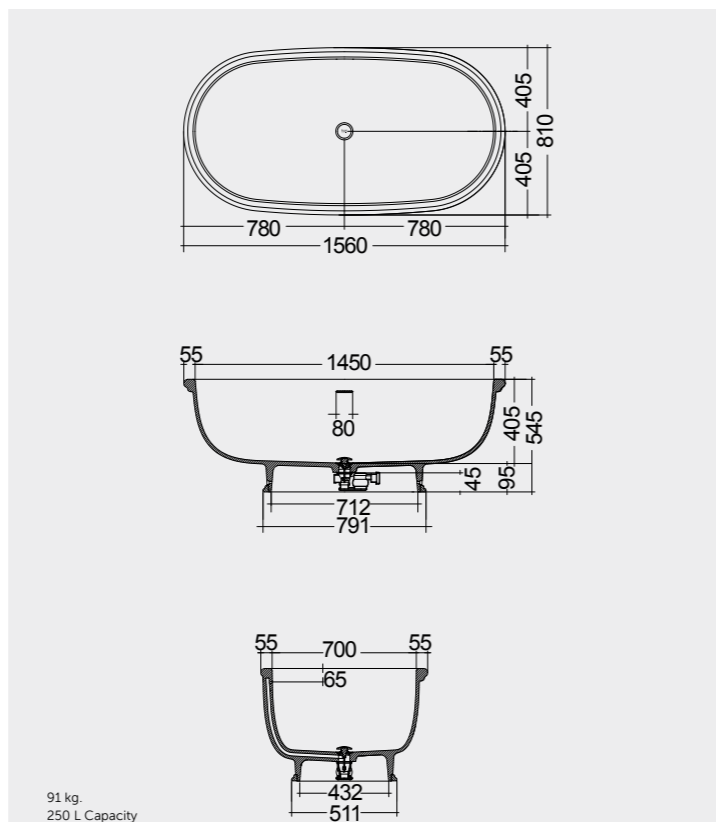
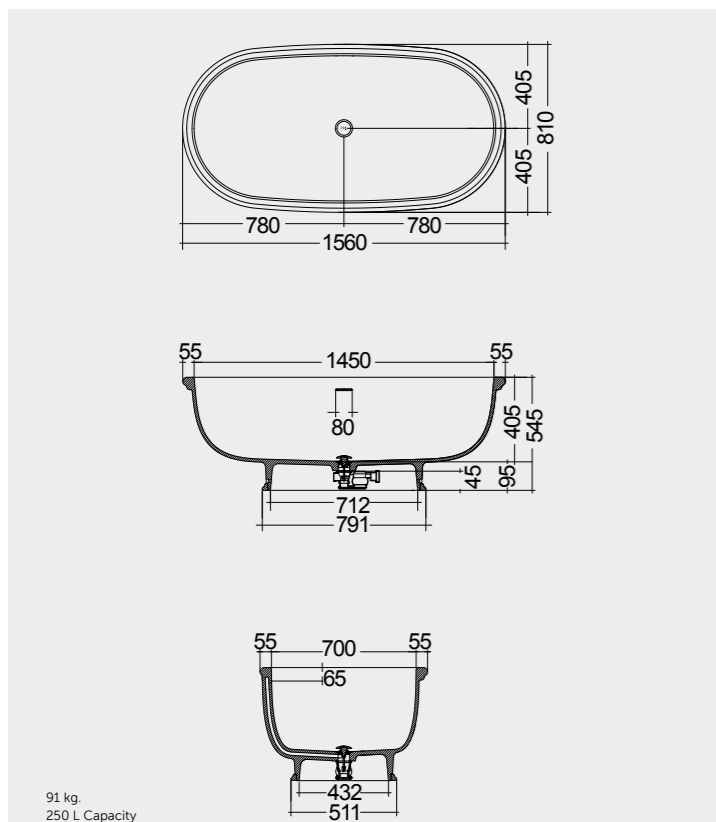
156X81 CM
WTBT15681505

Drain Included

Inspectionable



Measurements | Misure | Dimensions | Abmessungen | Размеры



Note | Nota | Remarque | Hinweis | Примечание

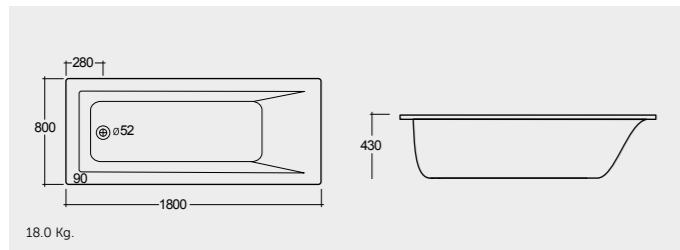
All dimensions in mm tolerance $\pm 5\%$ for below 200mm and $\pm 3\%$ for above 200mm | Tutte le dimensioni hanno una tolleranza di $\pm 5\%$ mm al di sotto dei 200mm e di $\pm 3\%$ mm al di sopra dei 200mm | Toutes les dimensions en mm tolérance $\pm 5\%$ pour moins de 200mm et $\pm 3\%$ pour plus de 200mm/ Alle Abmessungen in mm, Toleranz $\pm 5\%$ für unter 200mm, und $\pm 3\%$ für über 200mm | Все размеры указаны в мм, погрешность $\pm 5\%$ ниже 200 мм и $\pm 3\%$ выше 200 мм




514
156X81 CM

RAK-METROPOLITAN

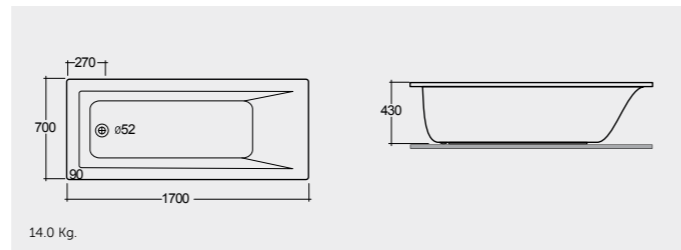
RAK-Metropolitan 180X80 CM (in acrylic)




18.0 Kg.

 180x80 CM
BTME00002

RAK-Metropolitan 170X70 CM (in acrylic)

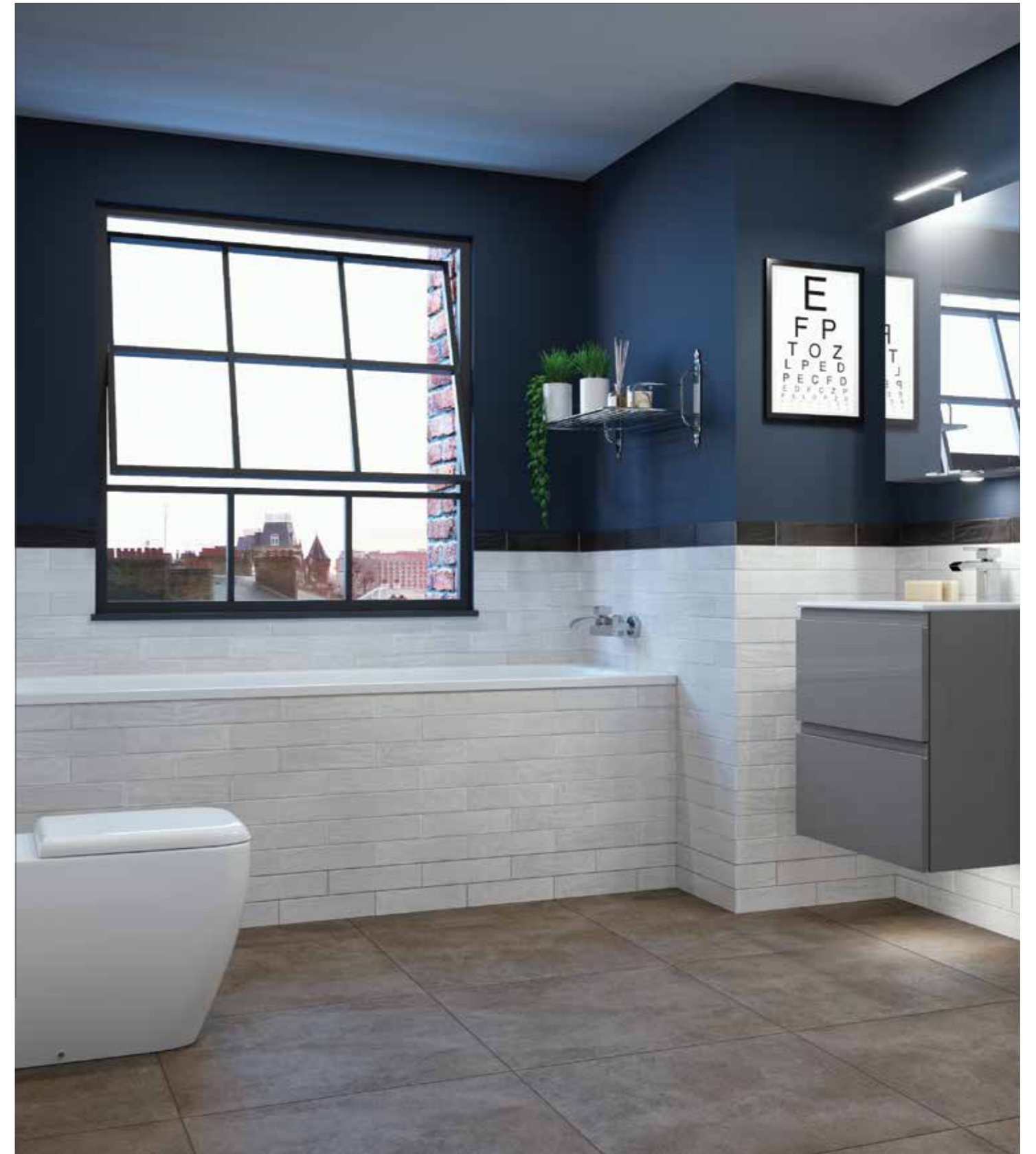


14.0 Kg.

 170X70 CM
BTME00001

Note | Nota | Remarque | Hinweis | Примечание

All dimensions in mm tolerance $\pm 5\%$ for below 200mm and $\pm 3\%$ for above 200mm | Tutte le dimensioni hanno una tolleranza di $\pm 5\%$ mm al di sotto dei 200mm e di $\pm 3\%$ mm al di sopra dei 200mm | Toutes les dimensions en mm tolérance $\pm 5\%$ pour moins de 200mm et $\pm 3\%$ pour plus de 200mm/ Alle Abmessungen in mm, Toleranz $\pm 5\%$ für unter 200mm, und $\pm 3\%$ für über 200mm | Все размеры указаны в мм, погрешность $\pm 5\%$ ниже 200 мм и $\pm 3\%$ выше 200 мм



SHOWER TRAYS
PIATTI DOCCIA
RECEVEURS DE DOUCHE
DUSCHWANNEN
ДУШЕВЫЕ ЛОТКИ

RAK-FEELING

RAK-Feeling is made of RAKSOLID, a durable material composed of a mixture of natural minerals and resins.

The elegant matte finish with stone effect gives a distinctive feel to the shower area, as well as a pleasant to the touch and more anti-slip safety.

I piatti doccia **RAK-Feeling** sono realizzati in RAKSOLID, un materiale resistente composto da una miscela di minerali naturali e resine.

L'elegante finitura opaca ad effetto pietra dona distintività alla zona doccia, oltre ad una piacevole sensazione al tatto ed una maggiore sicurezza antiscivolo.

Les bacs de douche **RAK-Feeling** sont réalisés en RAKSOLID, un matériel résistant qui se compose d'un mélange de minéraux naturels et de résines.

L'élégante finition opaque à effet pierre confère à votre zone-douche un caractère distingué, auquel se joignent une sensation bien agréable à la touche ainsi qu'une majeure sûreté antiglissante.

Die Duschbecken **RAK-Feeling** werden aus RAKSOLID hergestellt, einem resistenten Material, das aus einem Gemisch aus Naturmineralstoffen und Harzen besteht.

Die elegante mattierte Oberfläche mit Steineffekt verleiht Ihrer Duschzone etwas Erhabenes, sowie ein angenehmes Tastgefühl und eine hohe Rutschfestigkeit.

Коллекция поддонов **RAK-Feeling** выполнена из износостойкого материала RAKSOLID, в котором сочетаются натуральные материалы и смолы.

Эlegantная матовая отделка с эффектом натурального камня создаёт особую атмосферу в душевой зоне, приятно на ощупь и препятствует скольжению.

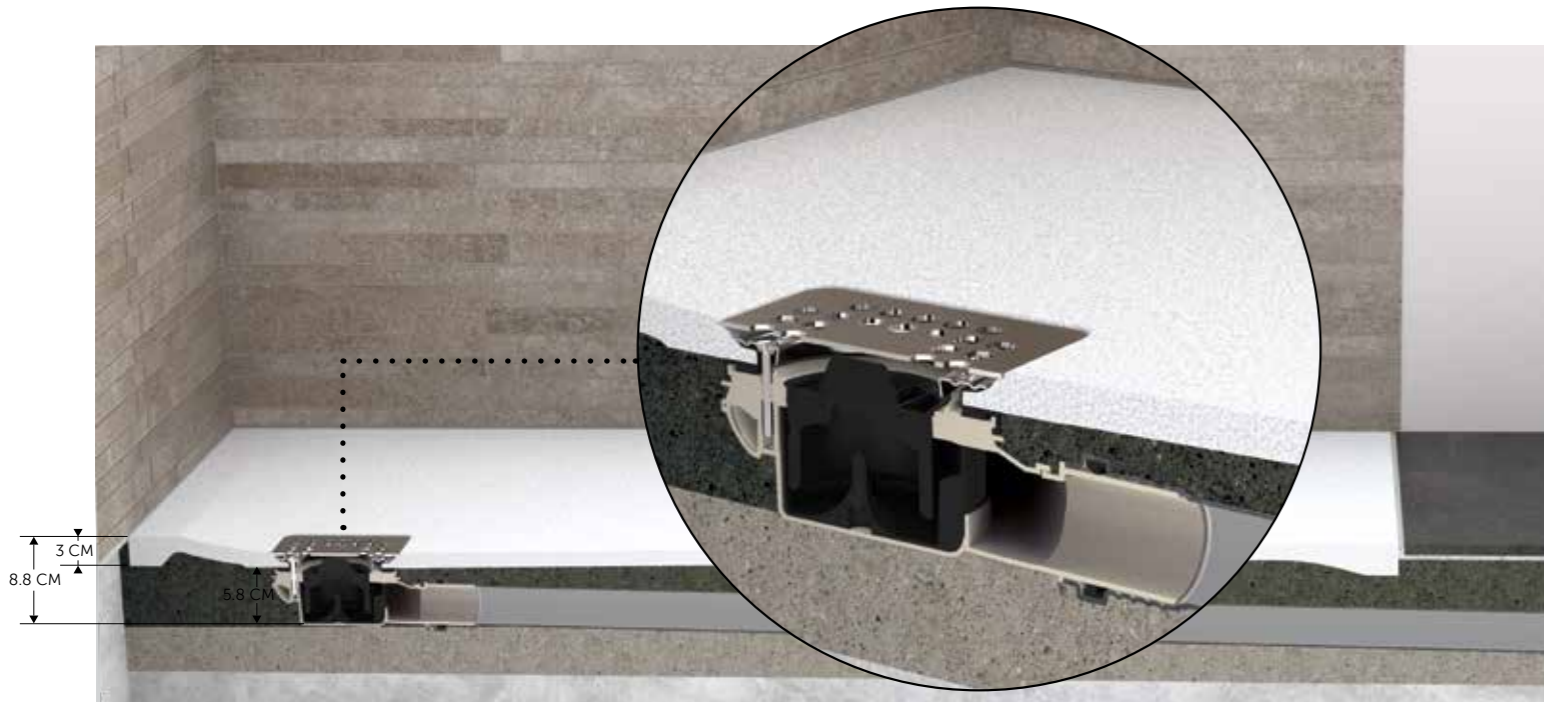


80 X 180 CM
RFB080180S500



Greige (514)

VERSATILE INSTALLATION



RAK-Feeling shower trays can be installed flush to floor, semi-recessed or directly onto the floor. RAK-Feeling products are ideal for both new buildings and renovations, thanks to the minimum dimensions of 5.8 cm required under the shower tray for the waste.

I piatti doccia RAK-Feeling possono essere installati a filo pavimento, in appoggio sul pavimento piastrellato o a semi-incasso. I prodotti RAK-Feeling sono ideali sia per nuove costruzioni sia per ristrutturazioni, grazie al minimo ingombro di 5,8 centimetri richiesto nel massetto per il nuovo scarico.

Les bacs de douche RAK-Feeling peuvent être installés à plain-pied, plantés sur le sol carrelé ou mi-intégrés. Les produits RAK-Feeling sont idéaux aussi bien pour les nouvelles constructions que pour les rénovations, grâce à un minimum de surface nécessaire de 5,8 centimètres, dans la chape de ciment, pour le nouvel écoulement.

Die Duschbecken RAK-Feeling können bodengleich, auf dem gefliesten Boden oder teils eingebaut installiert werden. Die Produkte RAK-Feeling eignen sich hervorragend sowohl für neue Konstruktionen als auch für Renovierungen, dank des minimalen Platzbedarfs von 5,8 cm, der im Estrich für den neuen Abfluss benötigt wird.

Душевые поддоны RAK-Feeling можно устанавливать заподлицо с полом, полуутопленными в пол или на полу. Поддоны RAK-Feeling идеально подходят как для установки в новых зданиях, так и для замены старых моделей: минимальное расстояние, необходимое под поддоном для слива, составляет всего 5,8 см.

INSTALLATION VARIANTS | OPZIONI DI POSA | VARIANTES D'INSTALLATION | INSTALLATIONSVARIANTEN | ВАРИАНТЫ УСТАНОВКИ

FLUSH TO FLOOR
A FILO PAVIMENTO | CONTRE LE SOL | BODENMONTAGE | ЗАПОДЛИЦО С ПОЛОМ

SEMI-RECESSED
IN APPOGGIO | MI-ENCASTRÉ | HALB EINGBAUT | НАПОЛОВИНУ УТОПЛЕННЫЙ

ON THE FLOOR
A SEMI-INCASSO | SUR LE SOL | AUF DEM BODENBELAG | НА ПОЛУ

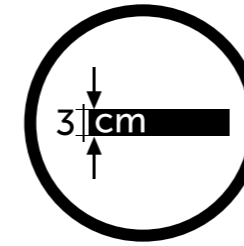


RFBR080180S503
80X180 CM (Bathtub replacement) 503

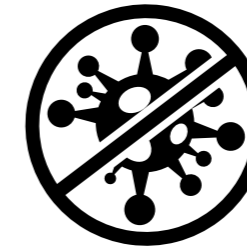
RAK SOLID DESIGN AND FUNCTIONALITY



RFST080140S505
80X140 CM (Rectangular) Greige (505)



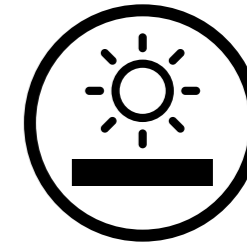
ULTRA THIN: 3 CM THICKNESS
ULTRA SOTTILE: SPESSORE 3CM
ULTRA FIN: ÉPAISSEUR: 3CM
ULTRADÜNN: DICKE 3CM
УЛЬТРАТОНКИЙ: ТОЛЩИНА 3 CM



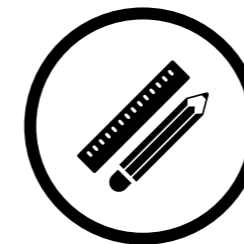
HYGIENIC AND BACTERIOSTATIC
IGIENICO E BATTERIOSTATICO
HYGIÉNIQUE ET BACTÉRIOSTATIQUE
HYGIENISCH UND BAKTERIOSTATISCH
ГИГИЕНИЧНО И БАКТЕРИОСТАТИЧНО



SLIP RESISTANCE
ANTISCIVOLO
ANTI GLISSANT
RUTSCHFEST
СОПРОТИВЛЯЕМОСТЬ
СКОЛЬЖЕНИЮ



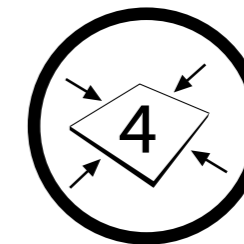
LIGHT FASTNESS
RESISTENTE ALLE VARIAZIONI DI LUCE
RÉSISTANT AUX VARIATIONS DE LUMIÈRE
RESISTENT GEGEN LICHTWECHSELWIRKUNGEN
СВЕТОСТОЙКОСТЬ



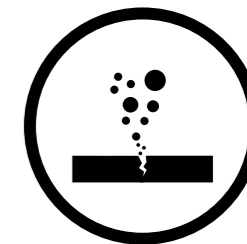
CUSTOM
PERSONALIZZABILE
PERSONNALISABLES
PERSONALISIERBAR
КАСТОМИЗАЦИЯ



RESISTANT TO CHEMICAL PRODUCTS
RESISTENTE AI PRODOTTI CHIMICI
RÉSISTANT AUX PRODUITS CHIMIQUES
RESISTENT GEGEN CHEMISCHE PRODUKTE
СОПРОТИВЛЯЕМОСТЬ ХИМИЧЕСКИМ ПРОДУКТАМ



GLAZED ON 4 SIDES
SMALTATO SU 4 LATI
ÉMAILLÉ LES CÔTÉS
4 GLASIERTE SEITEN
ГЛАЗУРОВАННЫЙ С 4 СТОРОН



REPAIR
RIPARABILE IN CASO DI GRAFFI
RÉPARABLES EN CAS D'ÉGRATIGNURES
REPARIERBAR BEI KRATZERN
ВОССТАНОВЛЕНИЕ

RAK-Feeling is only 3cm thin and its surface inhibits the growth of bacteria and fungi to ensure greater safety and hygiene. All the shower trays feature excellent resistance to chemical products. This is confirmed by the strictest chemical resistance tests required by the EN 14527 standard. They are not affected by exposure to light. This is confirmed by xenon arc lamp tests, which simulate sunlight on shower trays and verify the effects of ageing (EN ISO 4892 standard). Our RAKSOLID material meets the highest safety standards, being classified in DIN 51097 Class C (the highest achievable level of slip resistance). It prevents slipping on surfaces with an inclination angle of more than 24°. In the event of chips and scratches, shower trays can be restored to their original condition using a special repair kit.

RAK -Feeling e' ultra sottile ed ha proprieta' batteriostatiche e fungistiche che lo rendono ancora piu' sicuro e igienico. Ogni piatto doccia e' sottoposto alle prove di resistenza agli agenti chimici previste dalla normativa EN 14527 ed alle variazioni di luce che riproducono l'effetto di invecchiamento in condizioni di reale utilizzo (normativa EN ISO 4892). RAKSOLID rientra inoltre nella classe piu' alta della normativa DIN 51097 (Classe C), prevenendo lo scivolamento su superfici con inclinazione superiore a 24°. In caso di graffi e scheggiature il piatto doccia puo' essere riparato tramite un apposito kit di riparazione.

RAK-Feeling est extrêmement fin, et ses propriétés antibactériennes et anti-cryptogamiques le rendent encore plus sûr et plus hygiénique. Chaque bac de douche est soumis aux épreuves de résistance aux agents chimiques, prévues par le règlement EN 14527, et aux variations de lumière qui produisent l'effet de vieillissement à des conditions d'usage réelles (règlement EN ISO 4892). En outre, RAKSOLID s'inscrit dans la classe la plus élevée du règlement DIN 51097 (Classe C), qui prévient le glissement sur les surfaces d'une inclinaison supérieure à 24°. En cas d'égratignures et de détachements, le bac de douche peut être réparé par un kit de réparation approprié.

RAK-Feeling ist ultradünn und seine antibakteriellen sowie antipilzbildenden Eigenschaften machen es noch sicherer und hygienischer. Jedes Duschbecken wird Resistenzproben gegen chemische Schadstoffe unterstellt, die von der Norm EN 14527 vorgesehen sind, sowie Lichtwechselwirkungen, die Alterungseffekte unter Realbedingungen simulieren (Norm EN ISO 4892). RAKSOLID gehört in die höchste Klasse der Norm DIN 51097 (Klasse C), die das Ausrutschen auf Oberflächen mit einer Neigung von über 24° vorbeugt. Im Falle von Kratzern und Absplitterungen kann das Duschbecken mittels eines entsprechenden Kits repariert werden.

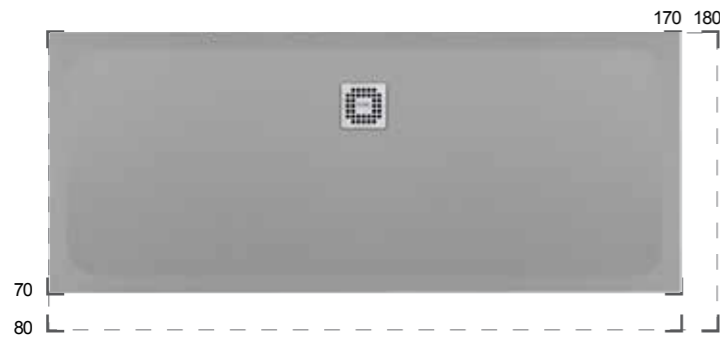
Толщина RAK-Feeling - всего 3 см, а его поверхность исключает размножение бактерий и грибов и обеспечивает большую степень безопасности и гигиеничности. Все душевые поддоны характеризуются стойкостью к влиянию химических продуктов. Это подтверждено строжайшими испытаниями химической стойкости согласно стандарту EN 14527. На них не влияет воздействие света. Это подтверждено испытаниями дуговой ксеноновой лампой, симулирующими падение солнечного света на душевые поддоны и проверяющими эффект старения (стандарт EN ISO 4892). Наш материал RAKSOLID соответствует высочайшим стандартам безопасности и классифицируется по стандарту DIN 51097 класс C (наивысший достижимый уровень защиты от скольжения). Он предотвращает скольжение на поверхностях с углом наклона более 24°. В случае сколов и царапин можно восстанавливать первоначальное состояние душевых поддонов, используя специальный ремонтный набор.

RAK SOLID DESIGN AND FUNCTIONALITY

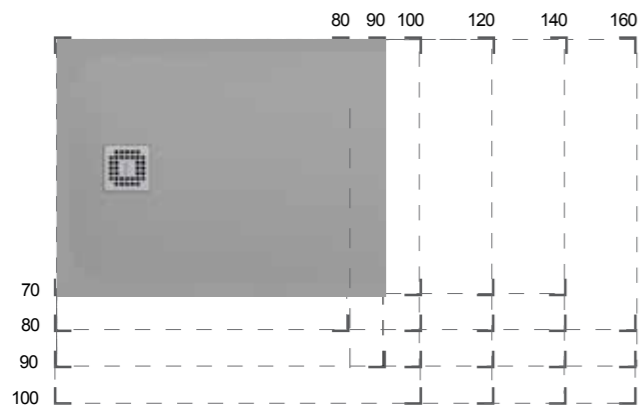
Product range

La Gamma | La Gamme | Produktpalette | Ассортимент

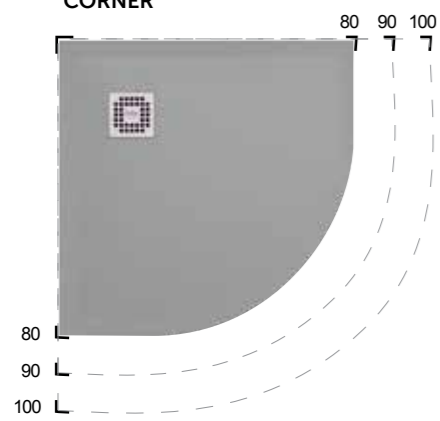
BATHTUB REPLACEMENT



RECTANGULAR

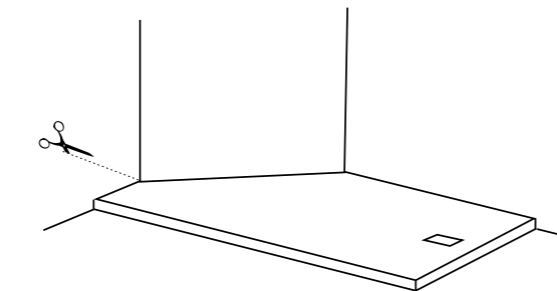
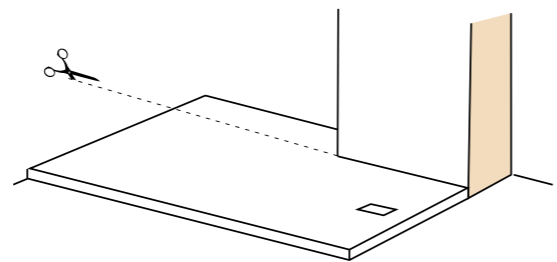
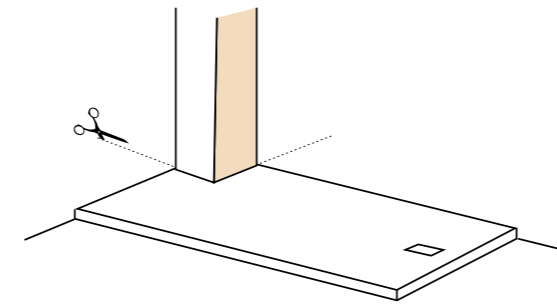


CORNER



Customization

Personalizzazione | Personnalisation | Personalisierung | Кастомизация



Some examples of customization

RAK CERAMICS

RAK CERAMICS

WHITE (500)

GREIGE (505)

RAK CERAMICS

RAK CERAMICS

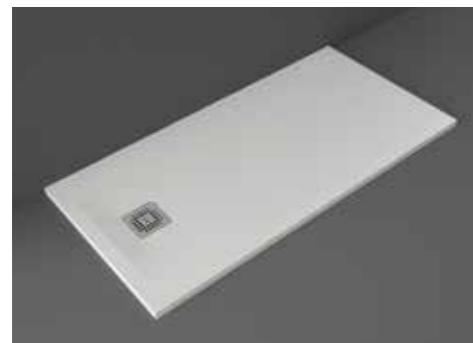
CAPPUCCINO (514)

GREY (503)

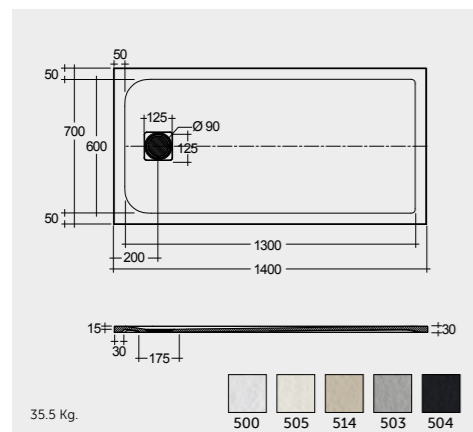
RAK CERAMICS

BLACK (504)

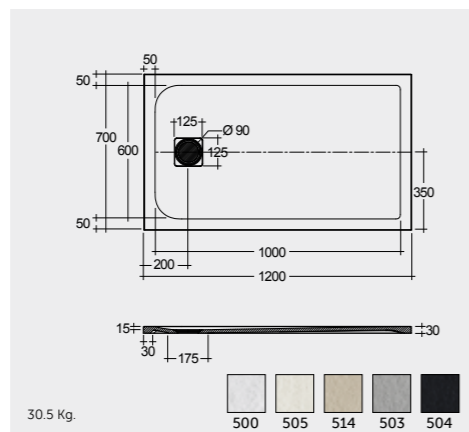
RECTANGULAR 70 CM WIDE



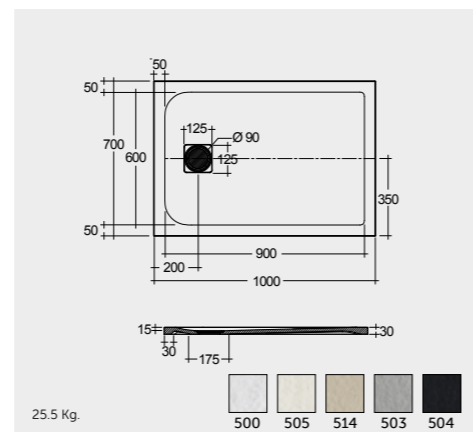
70 X 140 CM
RFST070140S500



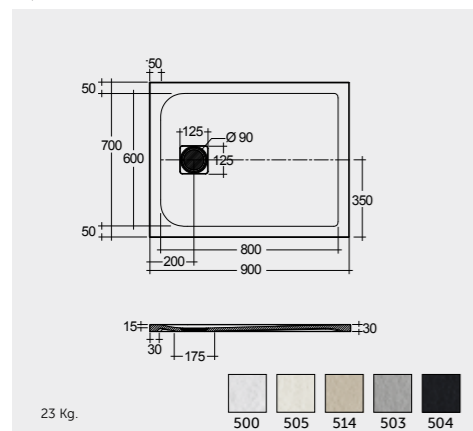
70 X 120 CM
RFST070120S500



70 X 100 CM
RFST070100S500



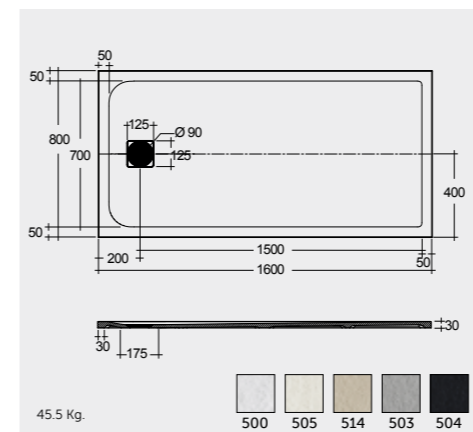
70 X 90 CM
RFST007090S500



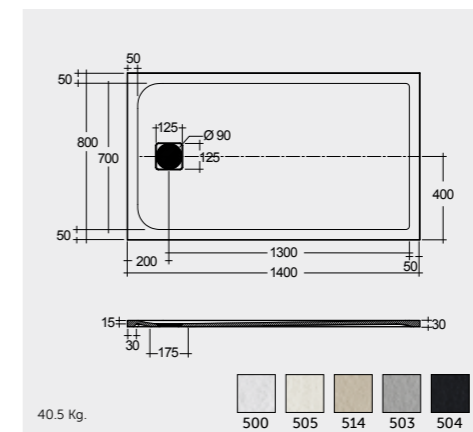
RECTANGULAR 80 CM WIDE



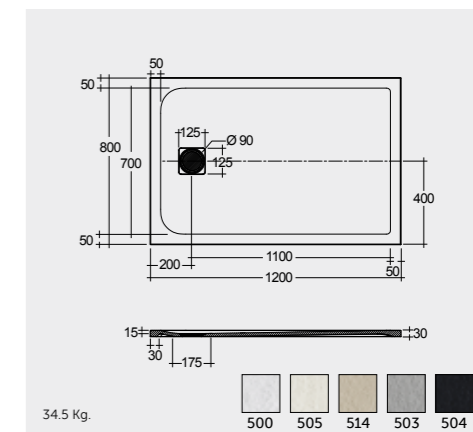
80 X 160 CM
RFST080160S500



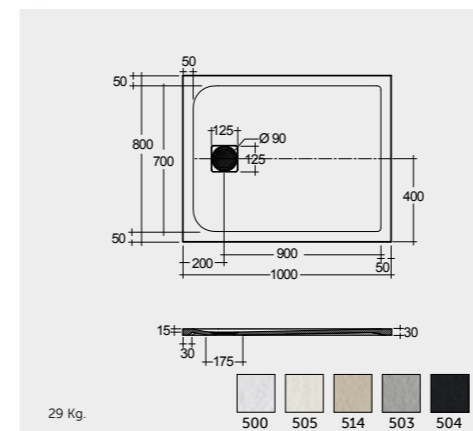
80 X 140 CM
RFST080140S500



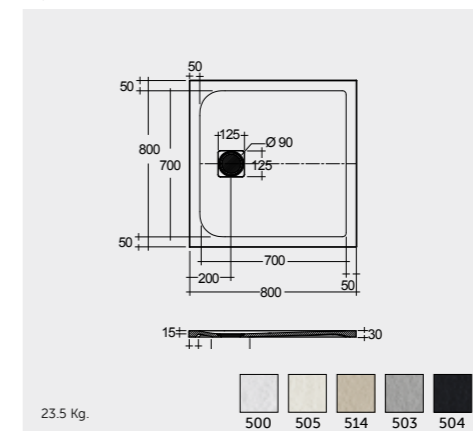
80 X 120 CM
RFST080120S500



80 X 100 CM
RFST080100S500



80 X 80 CM
RFST008080S500



SHOWER DRAIN DEPTH OF WATER SEAL 30MM



RFXXGW00001

SHOWER DRAIN MEMBRANE WATER SEAL



RFXXGW00002

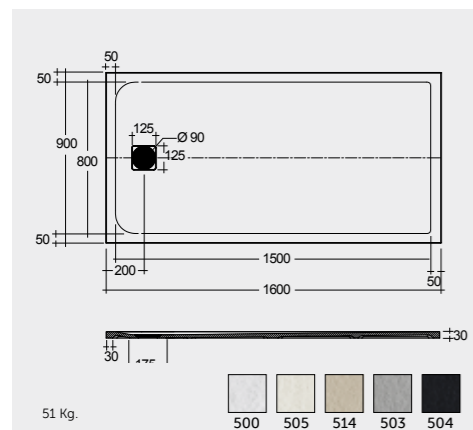
Note | Nota | Remarque | Hinweis | Примечание

All dimensions in mm tolerance $\pm 5\%$ for below 200mm and $\pm 3\%$ for above 200mm | Tutte le dimensioni hanno una tolleranza di $\pm 5\%$ mm al di sotto dei 200mm e di $\pm 3\%$ mm al di sopra dei 200mm | Toutes les dimensions en mm tolérance $\pm 5\%$ pour moins de 200mm et $\pm 3\%$ pour plus de 200mm/ Alle Abmessungen in mm, Toleranz $\pm 5\%$ für unter 200mm, und $\pm 3\%$ für über 200mm | Все размеры указаны в мм, погрешность $\pm 5\%$ ниже 200 мм и $\pm 3\%$ выше 200 мм

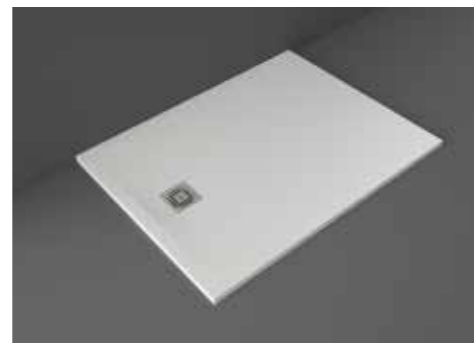
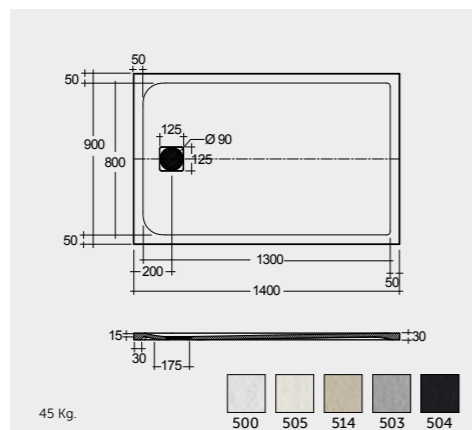
RECTANGULAR 90 CM WIDE



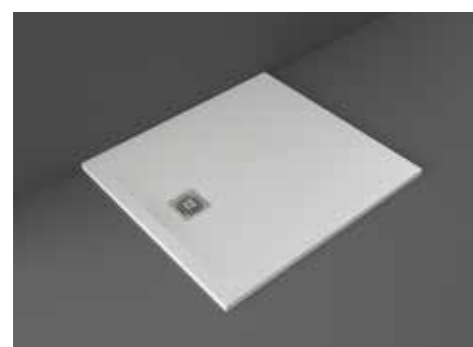
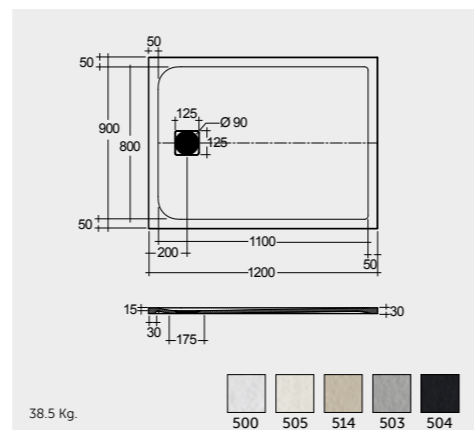
90 X 160 CM
RFST090160S500



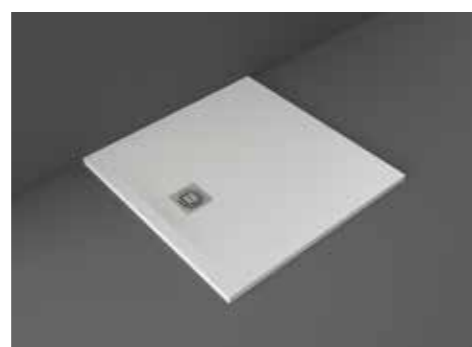
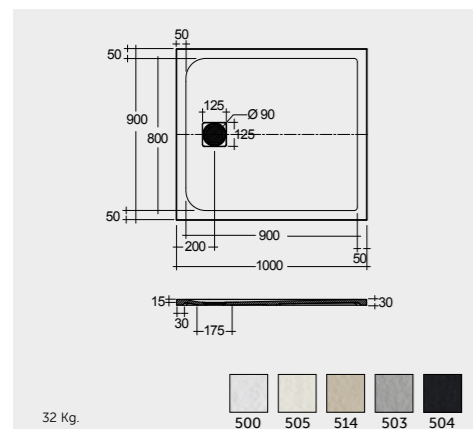
90 X 140 CM
RFST090140S500



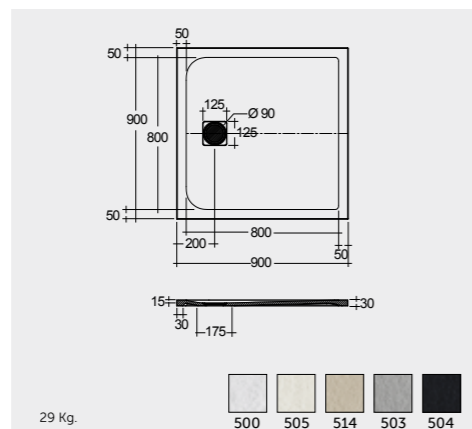
90 X 120 CM
RFST090120S500



90 X 100 CM
RFST090100S500



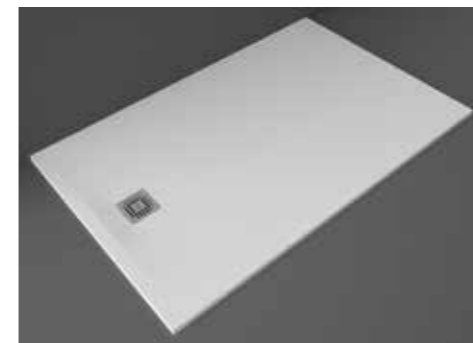
90 X 90 CM
RFST09090S500



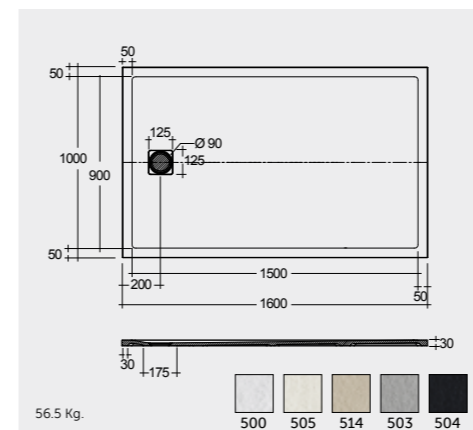
Note | Nota | Remarque | Hinweis | Примечание

All dimensions in mm tolerance $\pm 5\%$ for below 200mm and $\pm 3\%$ for above 200mm | Tutte le dimensioni hanno una tolleranza di $\pm 5\%$ mm al di sotto dei 200mm e di $\pm 3\%$ mm al di sopra dei 200mm | Toutes les dimensions en mm tolérance $\pm 5\%$ pour moins de 200mm et $\pm 3\%$ pour plus de 200mm/ Alle Abmessungen in mm, Toleranz $\pm 5\%$ für unter 200mm, und $\pm 3\%$ für über 200mm | Все размеры указаны в мм, погрешность $\pm 5\%$ ниже 200 мм и $\pm 3\%$ выше 200 мм

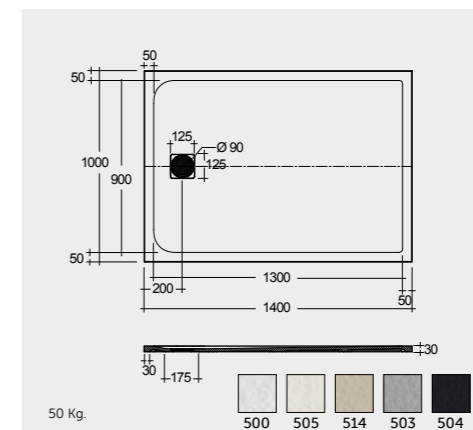
RECTANGULAR 100 CM WIDE



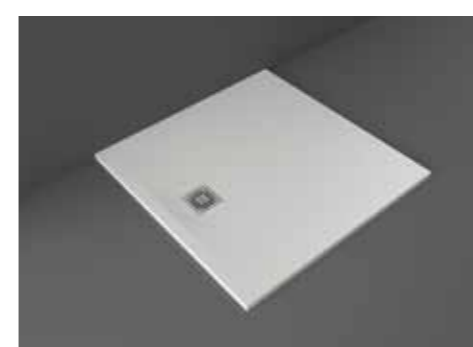
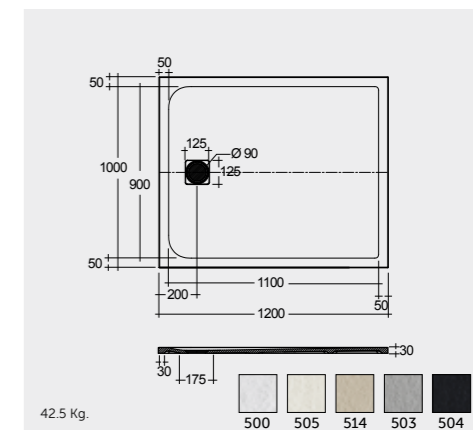
100 X 160 CM
RFST100160S500



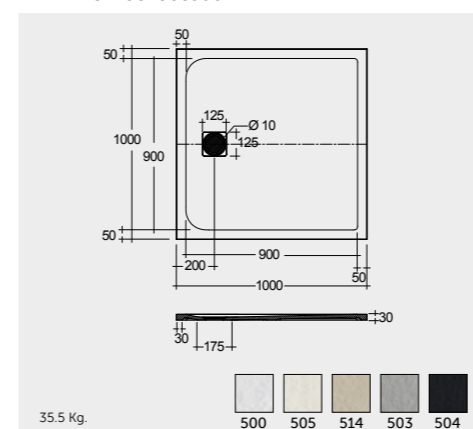
100 X 140 CM
RFST100140S500



100 X 120 CM
RFST100120S500



100 X 100 CM
RFST100100S500



SHOWER DRAIN DEPTH OF WATER SEAL 30MM



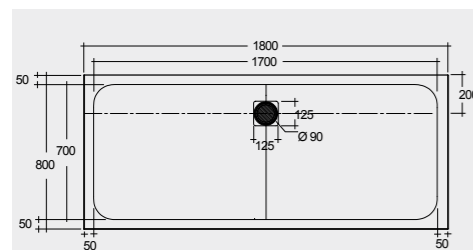
SHOWER DRAIN MEMBRANE WATER SEAL



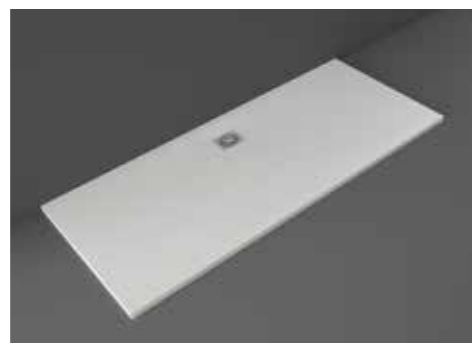
BATHTUB REPLACEMENT



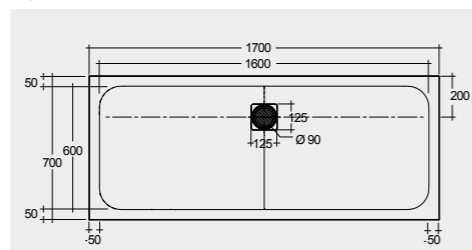
80 X 180 CM
RFBR080180S500



57.5 Kg.



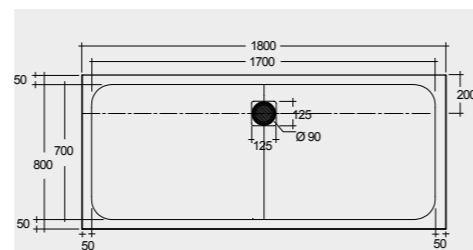
70 X 170 CM
RFBR070170S500



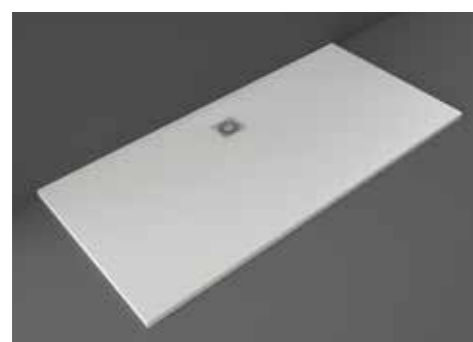
54.5 Kg.



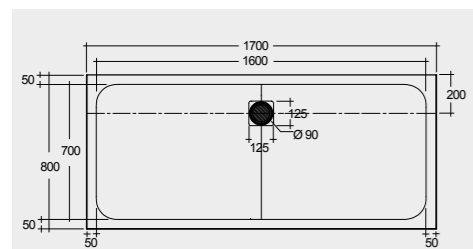
80 X 180 CM
RFBR080180S500



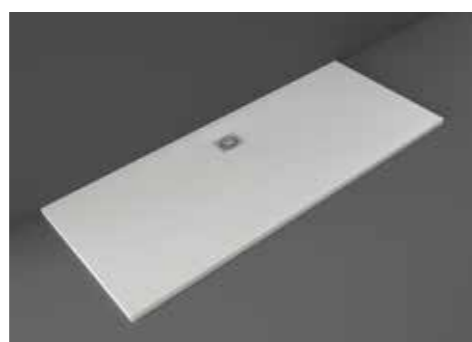
51.5 Kg.



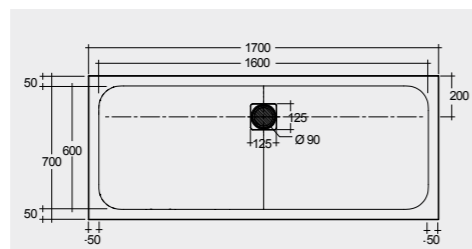
80 X 170 CM
RFBR080170S500



49 Kg.



70 X 170 CM
RFBR070170S500



43.5 Kg.



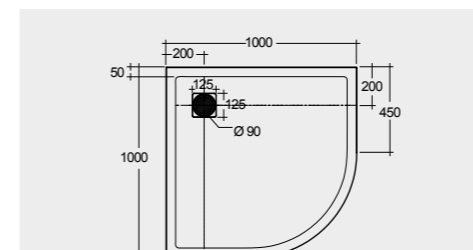
Note | Nota | Remarque | Hinweis | Примечание

All dimensions in mm tolerance $\pm 5\%$ for below 200mm and $\pm 3\%$ for above 200mm | Tutte le dimensioni hanno una tolleranza di $\pm 5\%$ mm al di sotto dei 200mm e di $\pm 3\%$ mm al di sopra dei 200mm | Toutes les dimensions en mm tolérance $\pm 5\%$ pour moins de 200mm et $\pm 3\%$ pour plus de 200mm/ Alle Abmessungen in mm, Toleranz $\pm 5\%$ für unter 200mm, und $\pm 3\%$ für über 200mm | Все размеры указаны в мм, погрешность $\pm 5\%$ ниже 200 мм и $\pm 3\%$ выше 200 мм

QUADRANT



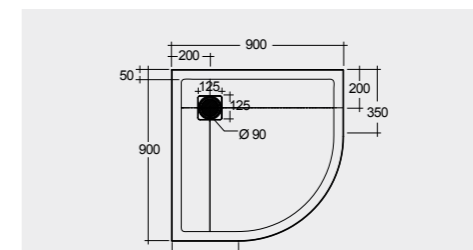
100 X 100 CM
RFQUT100100S500



33 Kg.



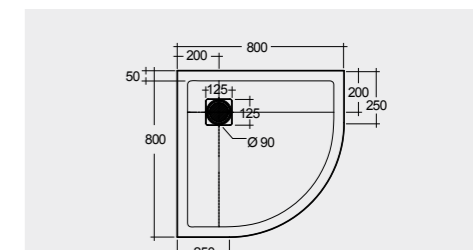
90 X 90 CM
RFQU009090S500



27 Kg.



80 X 80 CM
RFQU008080S500



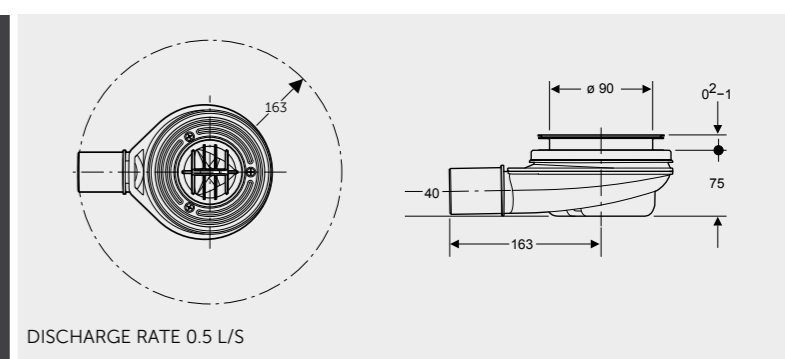
21.5 Kg.



SHOWER DRAIN DEPTH OF WATER SEAL 30MM



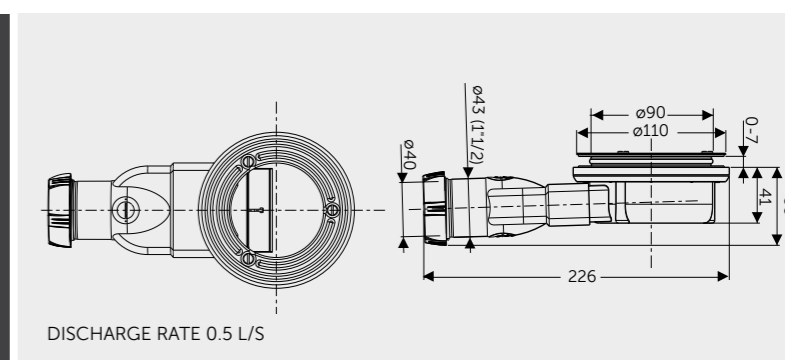
RFXXGW00001



SHOWER DRAIN MEMBRANE WATER SEAL



RFXXGW00002



RECTANGULAR 70 CM WIDE IN CERAMIC



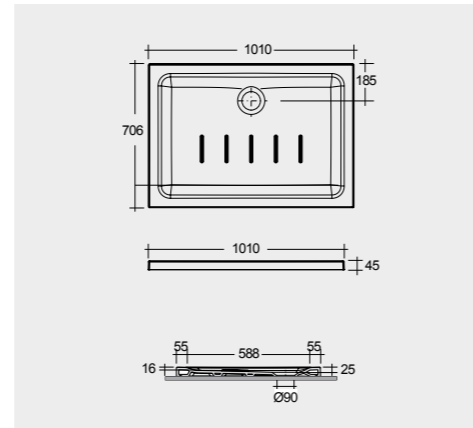
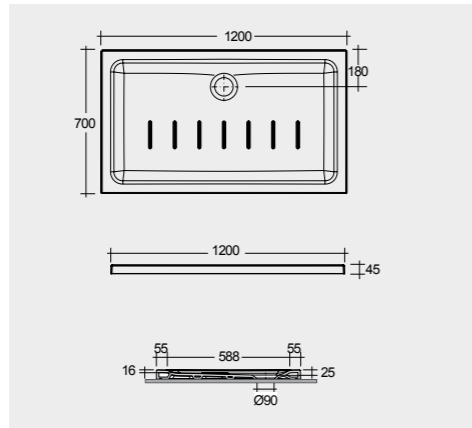
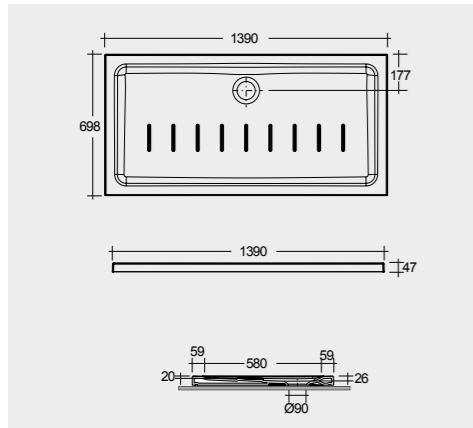
70X140X4.5 CM Shower drain XXST00001
MAST000017



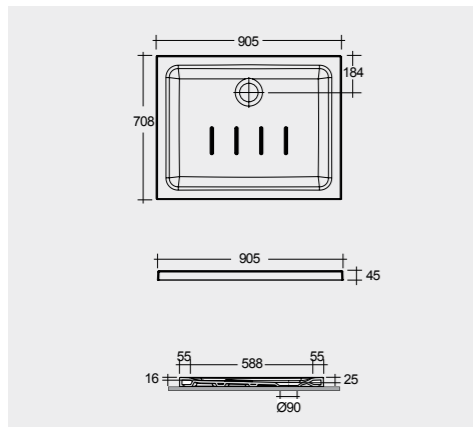
70X120X4.5 CM Shower drain XXST00001
MAST000016



70X100X4.5 CM Shower drain XXST00001
MAST000015



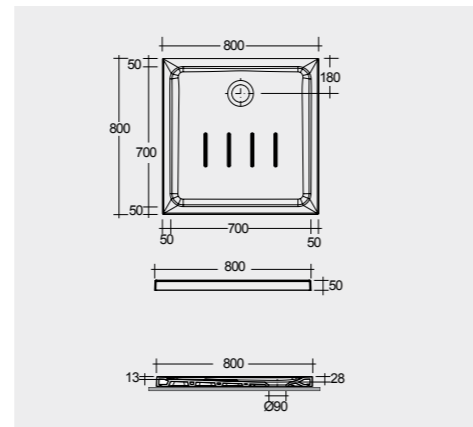
70X90X4.5 CM Shower drain XXST00001
MAST000014



RECTANGULAR 80 CM WIDE IN CERAMIC



80X80X4.5 CM Shower drain XXST00001
MAST000018



RECTANGULAR 70 CM WIDE IN ACRYLIC



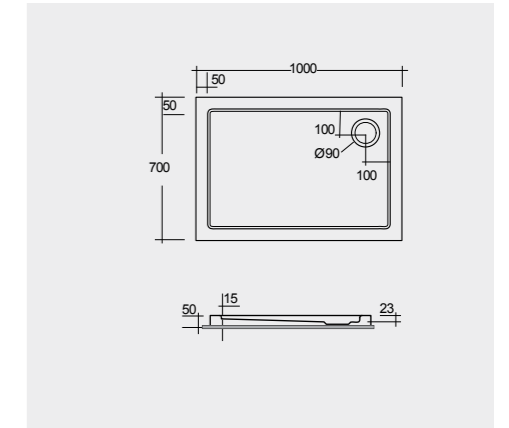
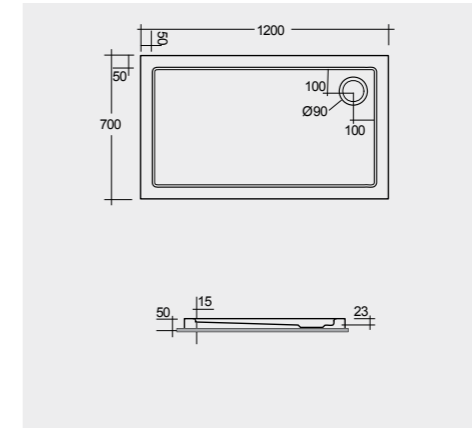
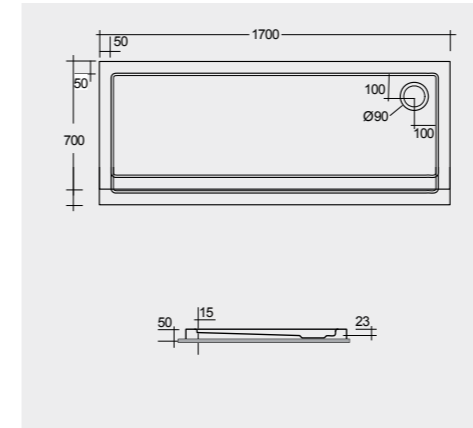
70X170 CM Shower drain XXST00001
OCST000012



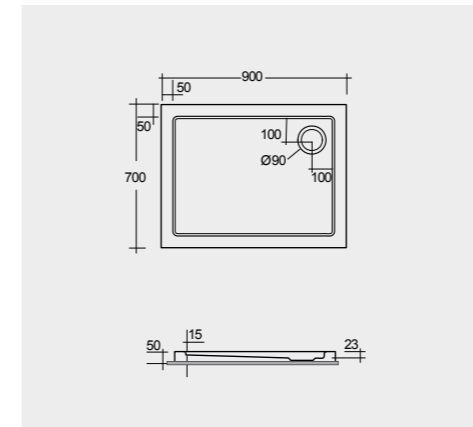
70X120 CM Shower drain XXST00001
OCST000008



70X100 CM Shower drain XXST00001
OCST000006



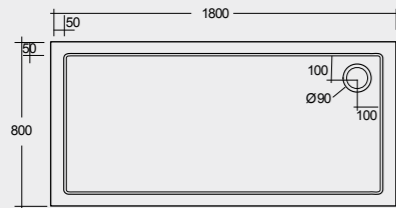
70X90 CM Shower drain XXST00001
OCST000014



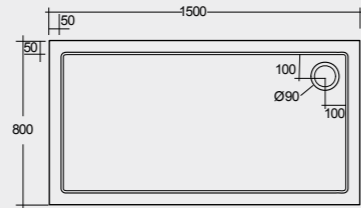
RECTANGULAR 80 CM WIDE IN ACRYLIC



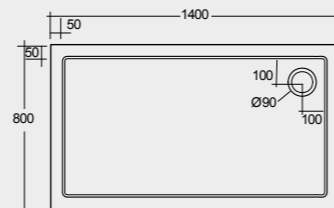
80X180 CM Shower drain XXST00001
OCST000013



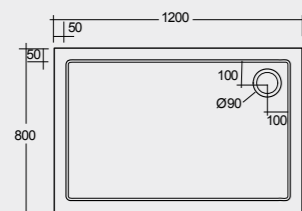
80X150 CM Shower drain XXST00001
OCST000011



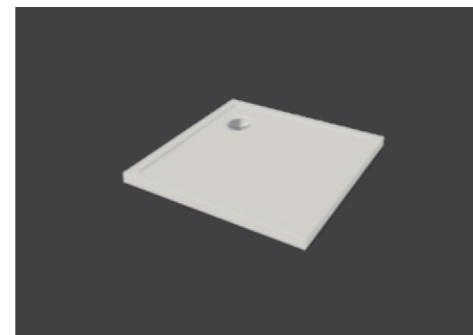
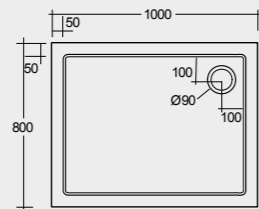
80X140 CM Shower drain XXST00001
OCST000010



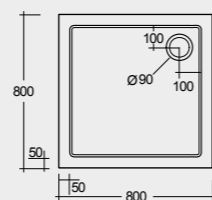
80X120 CM Shower drain XXST00001
OCST00009



80X100 CM Shower drain XXST00001
OCST00007



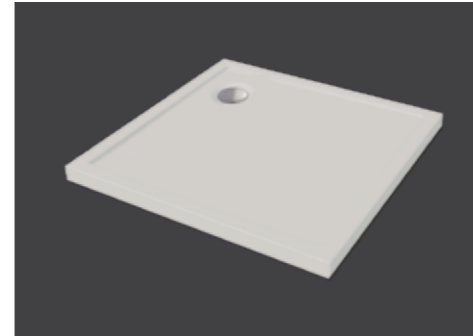
80X80 CM Shower drain XXST00001
OCST00001



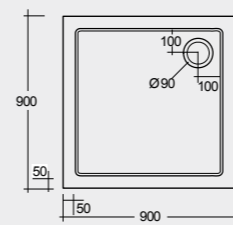
Note | Nota | Remarque | Hinweis | Примечание

All dimensions in mm tolerance $\pm 5\%$ for below 200mm and $\pm 3\%$ for above 200mm | Tutte le dimensioni hanno una tolleranza di $\pm 5\%$ mm al di sotto dei 200mm e di $\pm 3\%$ mm al di sopra dei 200mm | Toutes les dimensions en mm tolérance $\pm 5\%$ pour moins de 200mm et $\pm 3\%$ pour plus de 200mm/ Alle Abmessungen in mm, Toleranz $\pm 5\%$ für unter 200mm, und $\pm 3\%$ für über 200mm | Все размеры указаны в мм, погрешность $\pm 5\%$ ниже 200 мм и $\pm 3\%$ выше 200 мм

RECTANGULAR 90 CM WIDE IN ACRYLIC



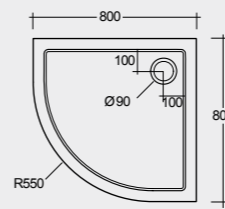
90X90 CM Shower drain XXST00001
OCST00004



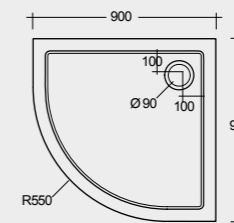
QUADRANT IN ACRYLIC



80X80 CM Shower drain XXST00001
OCST00002



90X90 CM Shower drain XXST00001
OCST00005



FLUSHING SYSTEMS
SISTEMI DI RISCIAQUO
MÉCANISMES WC
SPÜLSYSTEME
СИСТЕМЫ СМЫВА

Can we save water in our bathrooms?

One of the easiest ways to save water is to install a toilet with a dual-flush cistern.

Dual-flush cisterns let the user choose how much water to use when flushing the toilet and they are designed for wall-hung, back-to-wall and close coupled water closets.



RAK Ceramics flushing systems, allow you to choose using the full flush or the half flush, with different flushing volumes: 6 Liters for the full and 3 Liters for the half flush. The cisterns can also be adjusted to flush with a reduced full flush volume at 4.5 Liters.


For countries with limited water resources, RAK Ceramics has developed innovative water closets perfectly flushing with a reduced 3 Liters single flush.

By using a lower volume of water to flush the toilet you can dramatically reduce your annual water consumption.



DUAL FLUSHING:

 Or  Large button for full flush.

 Small button for half flush.



RAK-ECOFIX

RAK-Ecofix Flushing systems by RAK Ceramics are the ideal solution for all types of hydro-sanitary systems. Invisible built-in flushing systems combine functionality and aesthetics, saving space in every bathroom. The new and elegant push plates integrate perfectly with any style and design of dual flush systems to reduce water consumption.

I sistemi di risciacquo **RAK-Ecofix** by RAK Ceramics sono la soluzione ideale per tutte le tipologie di impianto idrosanitario. Le invisibili cassette di risciacquo da incasso uniscono funzionalità ed estetica, con un notevole risparmio di spazio in ogni tipo di bagno.

Le nuove ed eleganti placche di comando si integrano perfettamente con qualunque stile e design ed i sistemi dual flush riducono il consumo di acqua.

Les systèmes de chasse d'eau **RAK-Ecofix** de RAK Ceramics offrent la solution idéale pour tout type d'objets hydro-sanitaires. Les invisibles réservoirs de chasse d'eau encastrés unissent la fonctionnalité et l'esthétique avec une économie d'espace considérable dans tout type de salle de bains.

Les plaquespoussoirs s'intègrent à merveille dans tout style et tout design, et les systèmes de chasse d'eau de cabinet duals réduisent la consommation d'eau.

Die Spülsysteme **RAK-Ecofix** von RAK Ceramics sind die ideale Lösung für alle Arten hydrosanitärer Anlagen. Die unsichtbaren eingebauten Spülkästen vereinen Funktionalität und Ästhetik mit einer beträchtlichen Raumersparnis in jeder Art von Bad.

Die Spültasten integrieren sich hervorragend in jeden Stil und in jedes Design, und die dualen Klosettspülsysteme reduzieren den Wasserverbrauch.

Системы инсталляции **RAK-Ecofix** компании RAK Ceramics — это идеальное решение для всех типов водных санитарных систем. Незаметные встраиваемые системы инсталляции сочетают функциональность и эстетичность, не занимая много места в ванной комнате. Новые элегантные кнопки смыва совместимы с любыми системами двойного смыва (например, 3/6 л), позволяя снизить расход воды. Все системы совместимы с любыми подвесными и пристенными унитазами и биде RAK Ceramics, превосходно вписываются в любое пространство.

Передовые технологии, инновации и пониженный расход воды делают RAK-Ecofix идеальным выбором для вашей ванной комнаты, какой бы она ни была.



40 CM

55 CM

55 CM

RAK-ECOFIX / PUSH PLATES



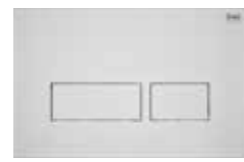
FSRAKPPL009
ABS + GLASS White



FSRAKPPL011
ABS + GLASS White



FSRAKPPL003500
ABS Matt White



FSRAKPPL006500
ABS Matt White



FSRAKPPL004
ABS Chrome



FSRAKPPL007
ABS Chrome



FS04RAKCPB8C
ABS Chrome-Matt
chrome -Chrome



FSRAKPPL002
ABS Chrome-Matt
chrome -Chrome



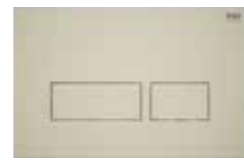
FSRAKPPL010
ABS + GLASS Black



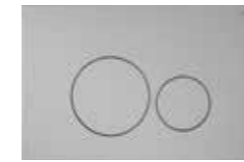
FSRAKPPL012
ABS + GLASS Black



FSRAKPPL003505
ABS Matt Greige



FSRAKPPL006505
ABS Matt Greige



FSRAKPPL005
ABS Matt chrome



FSRAKPPL008
ABS Matt chrome



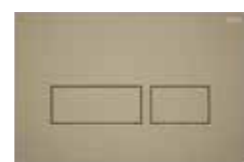
FSRAKPPL001
ABS Matt chrome-
Chrome -Matt chrome



FS04RAKCPM8C
ABS Matt chrome-
Chrome -Matt chrome



FSRAKPPL003514
ABS Matt Cappuccino



FSRAKPPL006514
ABS Matt Cappuccino



FSRAKPPL003500
ABS White



FSRAKPPL006500
ABS White



FS04RAKWHRO8C
ABS White-Chrome-White



FS04RAKWHRE8C
ABS White-Chrome-White



FSRAKPPL003503
ABS Matt Grey



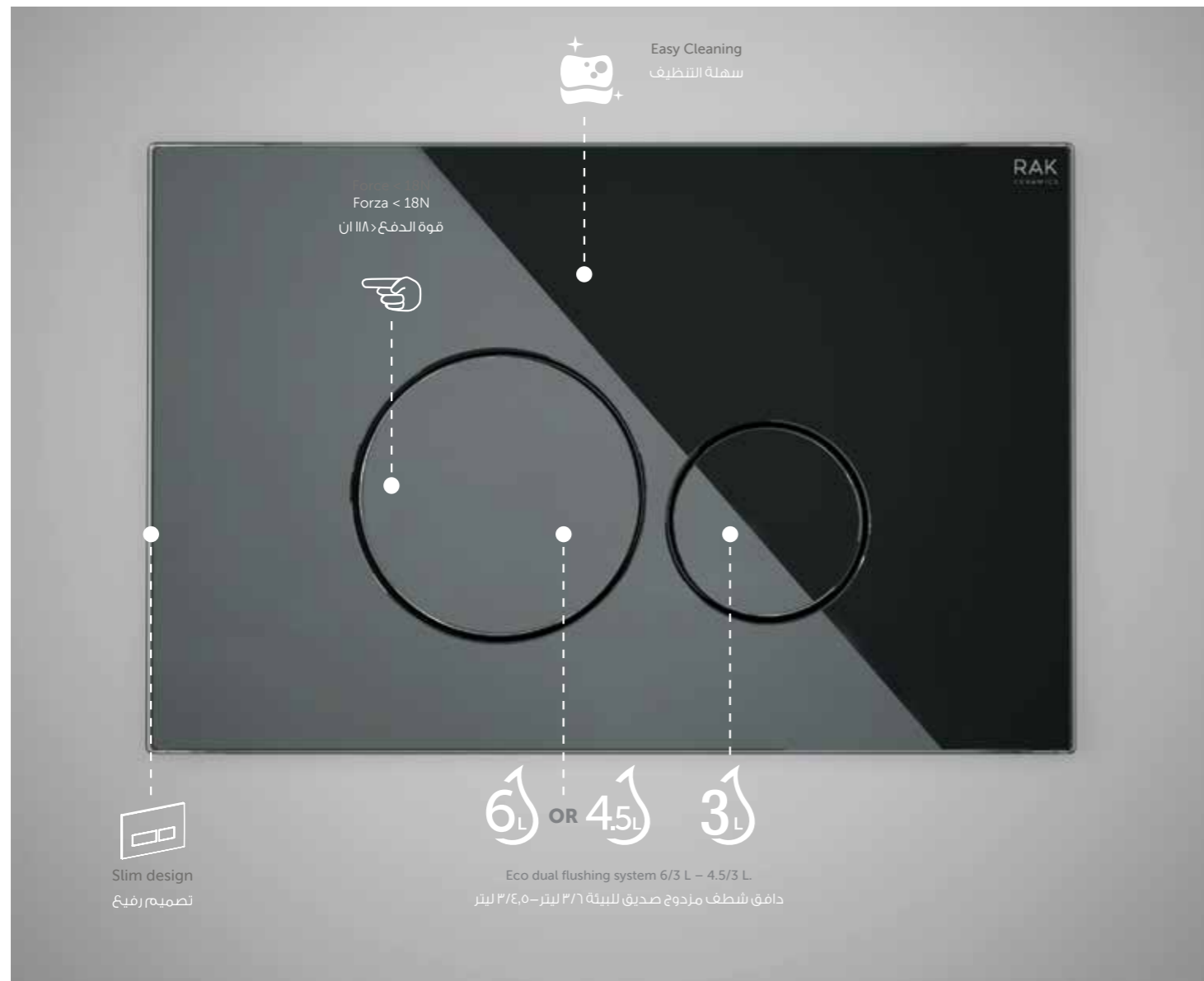
FSRAKPPL006503
ABS Matt Grey



FSRAKPPL003504
ABS Matt Black



FSRAKPPL006504
ABS Matt Black



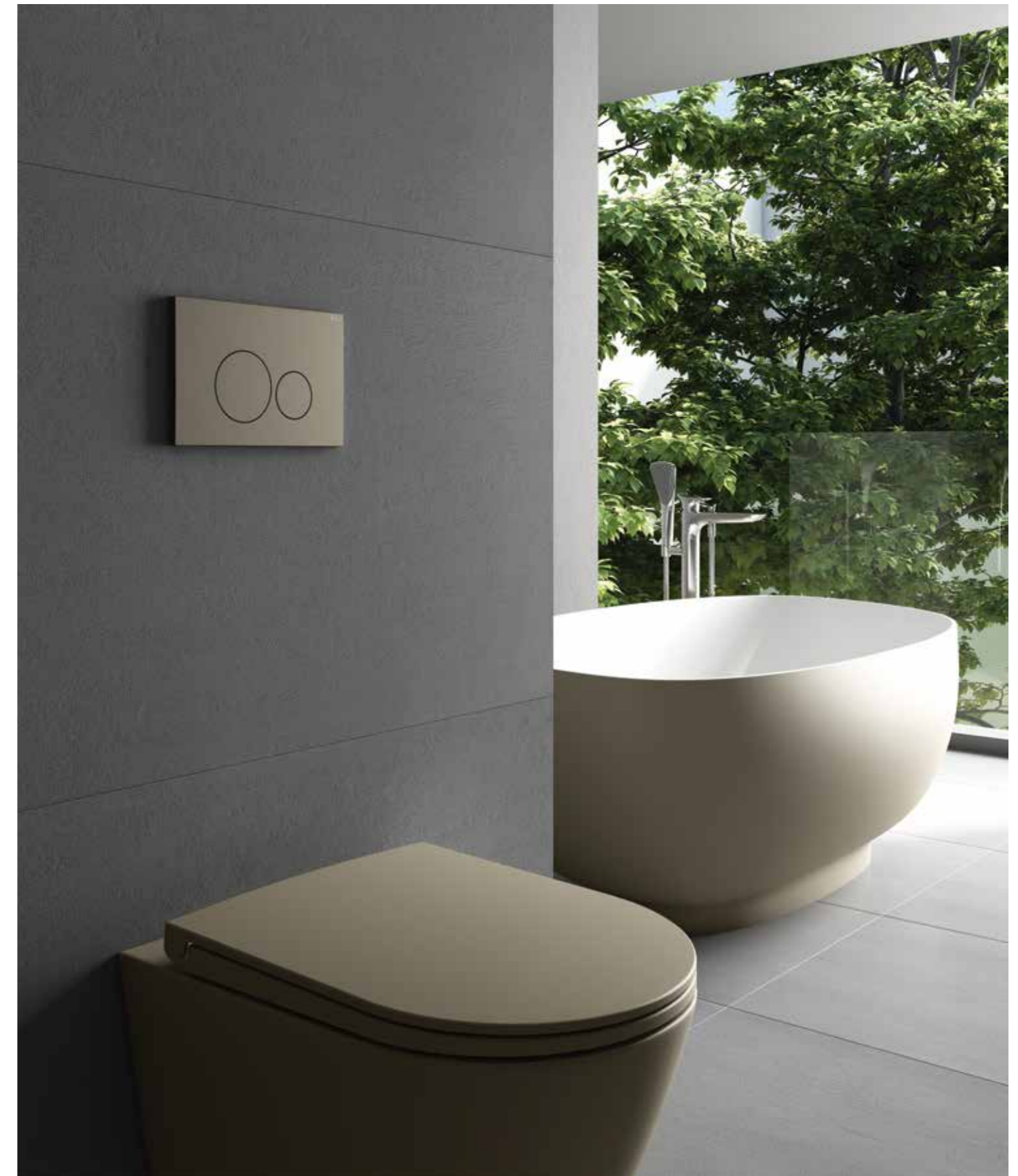
RAK-Ecofix not only offers limitless installation possibilities, but a flat designed range of push plates in 3 elegant finishes and 2 different designs. The push plate is the only visible part of the concealed cistern and is built for the water saving dual system flush in volumes 6-3 liters or 4.5-3 liters. Another possibility to move functionality and style into your bathroom.

Rak-Ecofix non offre solamente infinite possibilità di installazione, ma una gamma di placche di comando in 3 eleganti finiture e 2 differenti design. La placca di comando è l'unica parte visibile del sistema di risciacquo da incasso ed è progettata per attivare il risciacquo a risparmio idrico Dual System da 6/3 litri, o 4.5/3 litri. Stile e funzionalità convivono perfettamente per dare il meglio al tuo bagno.

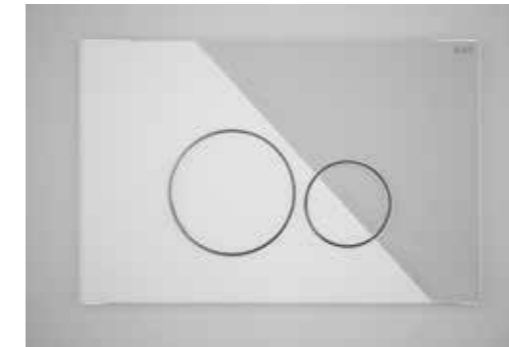
Au-delà d'une infinité de possibilités d'installation, RAK-Ecofix offre également un grand choix de plaques-poussoirs en 3 finitures élégantes et 2 différents designs. La plaque-poussoir est la seule partie visible du réservoir de chasse d'eau encastré, et est construite pour les systèmes de chasse d'eau de cabinet duals, à l'économie d'eau, pour 6-3 litres ou 4.5-3 litres. Une autre possibilité de conférer à votre salle de bains de la fonctionnalité et du style.

RAK-Ecofix bietet nicht nur unendlich viele Installationsmöglichkeiten, sondern auch eine große Auswahl an Spültasten in 3 eleganten Ausarbeitungen und 2 verschiedenen Designs. Die Spültaste ist der einzige sichtbare Teil des eingebauten Spülkastens, und ist für wassersparende duale Klosettspülsysteme für 6-3 Liter oder 4.5-3 Liter konstruiert. Eine weitere Möglichkeit, Funktionalität und Stil in Ihr Badezimmer zu bringen. 2 Designs

RAK-Ecofix предлагает не только безграничные возможности установки, но и дизайнерский ассортимент клавиш смыва в 3 элегантных отделках и 2 вариантах дизайна. Клавиши смыва - это единственная видимая часть скрытого бачка, встроенная для реализации системы экономии воды с использованием двойного смыва объемом 6-3 литра или 4,5-3 литра. Еще одна возможность привнести функциональность и стиль в вашу ванную комнату.



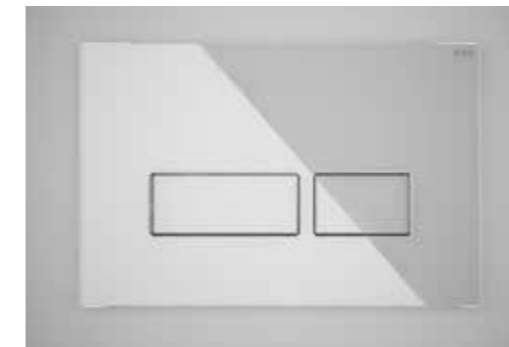
RAK-ECOFIX / GLASS PUSH PLATES



ROUND
Rotondo | Rond | Rund | Круглая



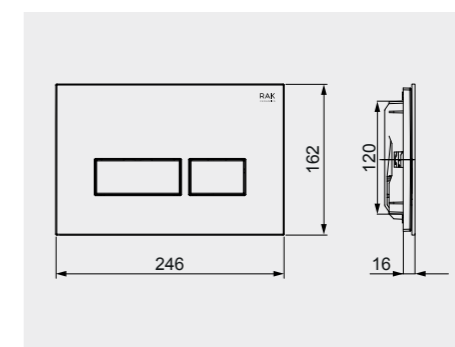
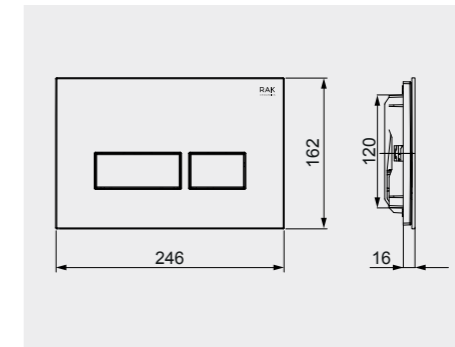
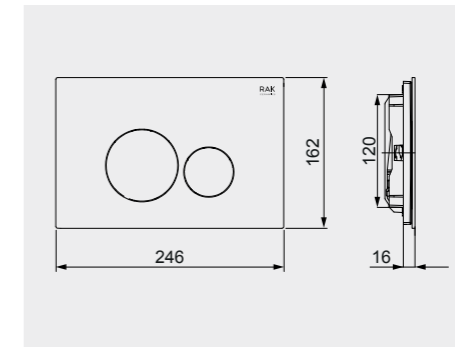
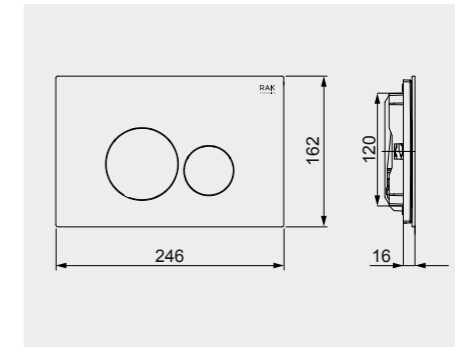
ROUND
Rotondo | Rond | Rund | Круглая



RECTANGULAR
Rettangolo | Rectangulaire | Rechteckig | Прямоугольная



RECTANGULAR
Rettangolo | Rectangulaire | Rechteckig | Прямоугольная



FSRAKPPL009



FSRAKPPL010



FSRAKPPL011

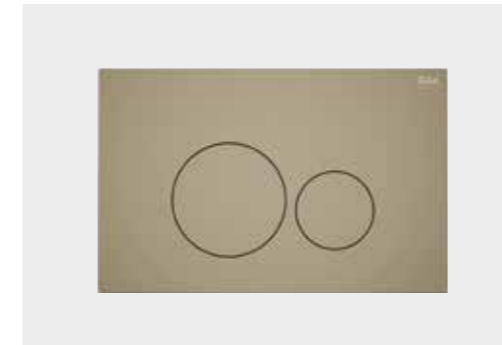


FSRAKPPL012

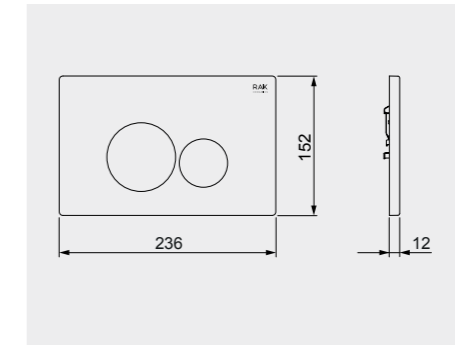
RAK-ECOFIX / MATT PUSH PLATES



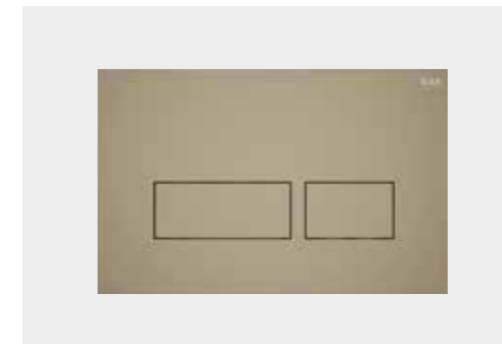
ROUND
FSRAKPPL003504



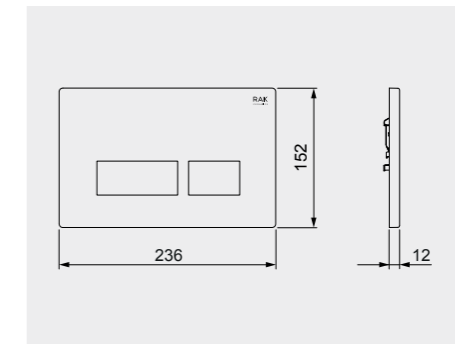
ROUND
Rotondo | Rond | Rund | Круглая



- FSRAKPPL003500
- FSRAKPPL003505
- FSRAKPPL003514
- FSRAKPPL003503
- FSRAKPPL003504

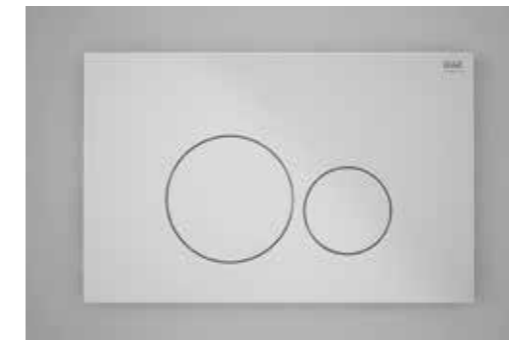


RECTANGULAR
Rettangolo | Rectangulaire | Rechteckig | Прямоугольная

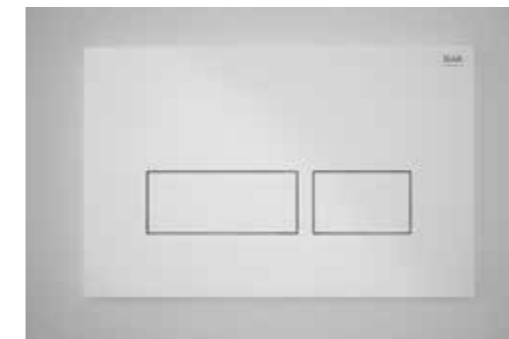


- FSRAKPPL006500
- FSRAKPPL006505
- FSRAKPPL006514
- FSRAKPPL006503
- FSRAKPPL006504

RAK-ECOFIX / ABS PUSH PLATES



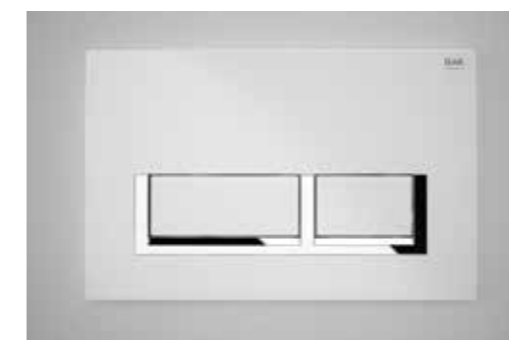
ROUND
Rotondo | Rond | Rund | Круглая



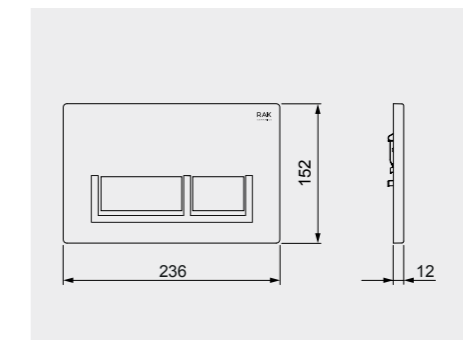
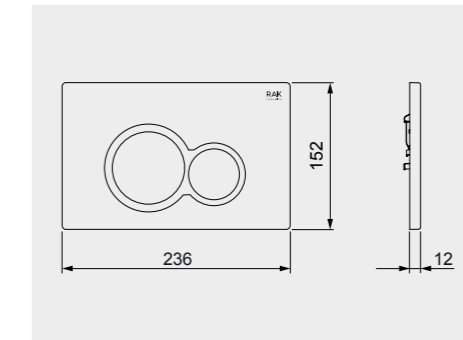
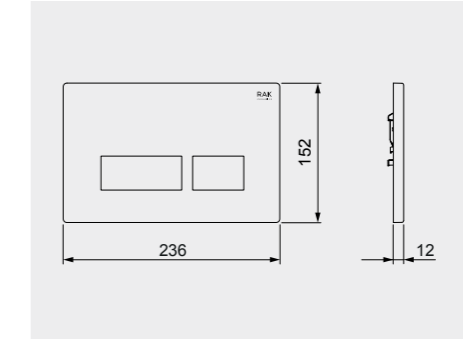
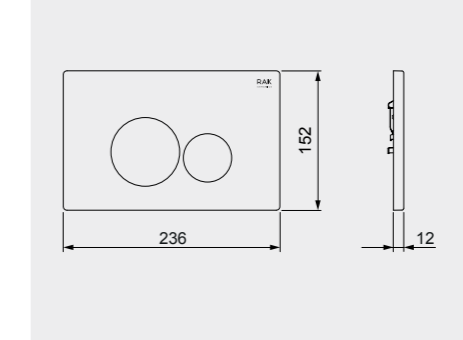
RECTANGULAR
Rettangolo | Rectangulaire | Rechteckig | Прямоугольная



ROUND
Rotondo | Rond | Rund | Круглая




RECTANGULAR
Rettangolo | Rectangulaire | Rechteckig | Прямоугольная




 **White**
Bianca
Blanc
Weiß
Белый


FSRAKPPL003

 **Chrome**
Cromo
Chrome
Chrom
Хром


FSRAKPPL004

 **Matt Chrome**
Cromo Opaco
Mat Chrome
Matt Verchromt
Матовый хром


FSRAKPPL005

 **White**
Bianca
Blanc
Weiß
Белый


FSRAKPPL006

 **Chrome**
Cromo
Chrome
Chrom
Хром


FSRAKPPL007

 **Matt Chrome**
Cromo Opaco
Mat Chrome
Matt Verchromt
Матовый хром


FSRAKPPL008

 **White**
Bianca
Blanc
Weiß
Белый


FS04RAKWHRO8C

 **Chrome**
Cromo
Chrome
Chrom
Хром


FS04RAKCPB8C

 **Matt Chrome**
Cromo Opaco
Mat Chrome
Matt Verchromt
Матовый хром


FSRAKPPL001

 **White**
Bianca
Blanc
Weiß
Белый

FS04RAKWHRE8C

 **Chrome**
Cromo
Chrome
Chrom
Хром

FSRAKPPL002

 **Matt Chrome**
Cromo Opaco
Mat Chrome
Matt Verchromt
Матовый хром

FS04RAKCPM8C

RAK-ECOFIX / 12 CM THICKNESS

Models | Modelli | Modèles | Modelle | Модели



12 CM FS12RAK12C



12 CM FS04RAK12C

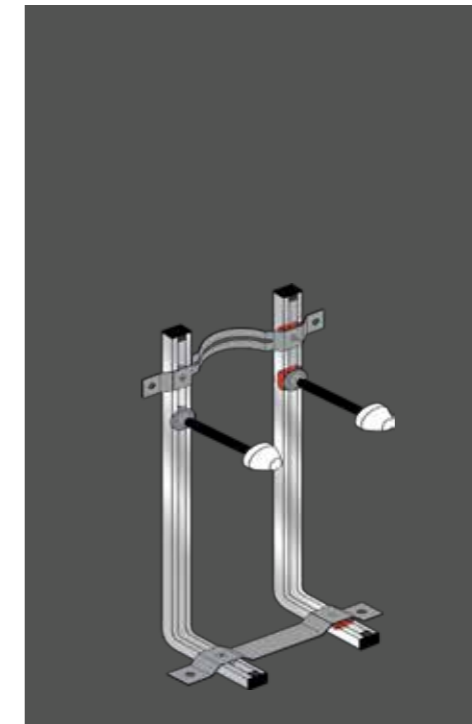


12 CM Split Frame FS04RAK12A

Models | Modelli | Modèles | Modelle | Модели

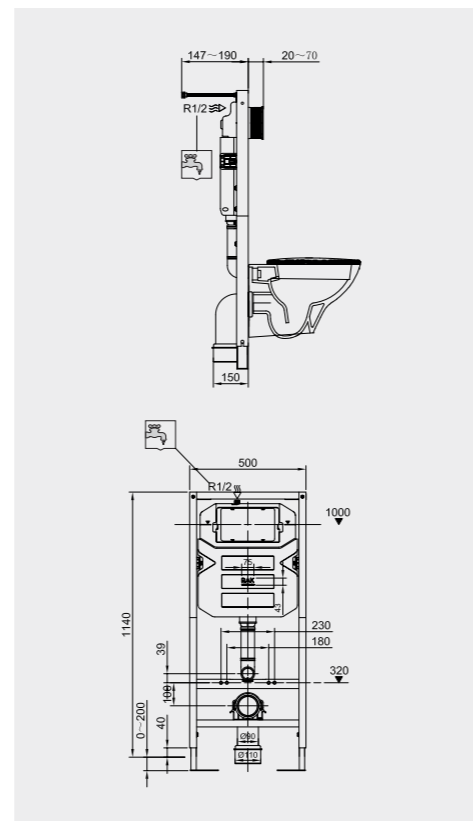
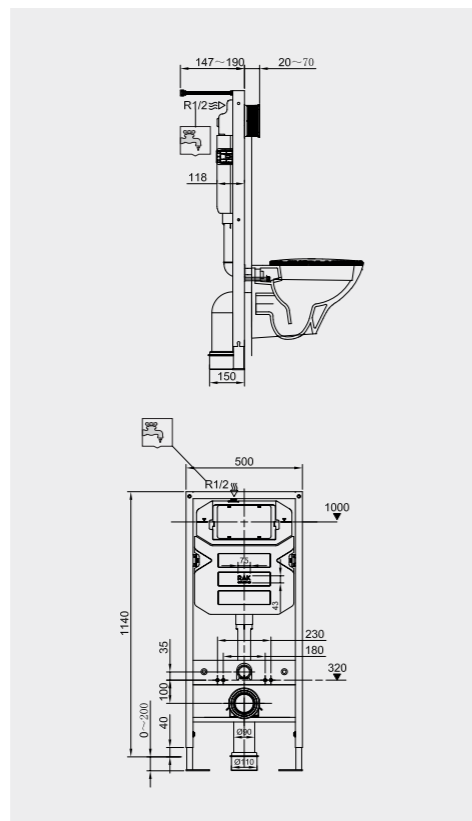
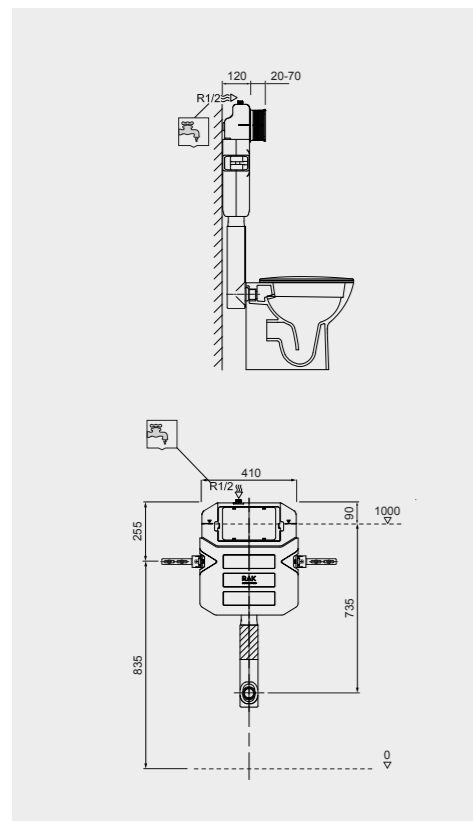


12 CM FS09RAK1C

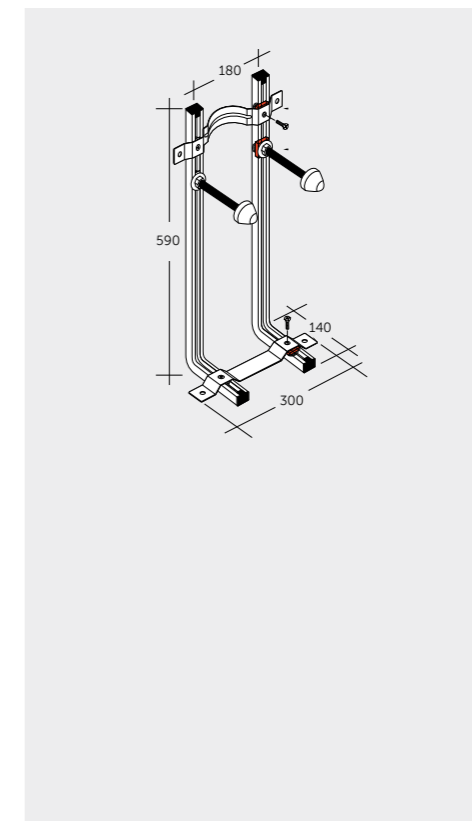
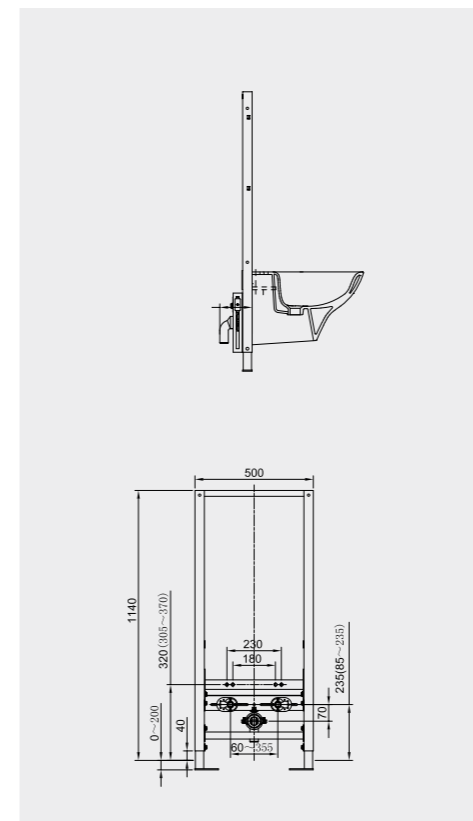


12 CM SFYS60

Measurements | Misure | Dimensions | Abmessungen | Размеры



Measurements | Misure | Dimensions | Abmessungen | Размеры



RAK-ECOFIX / 8 CM THICKNESS

Models | Modelli | Modèles | Modelle | Модели



8 CM FS12RAK8C

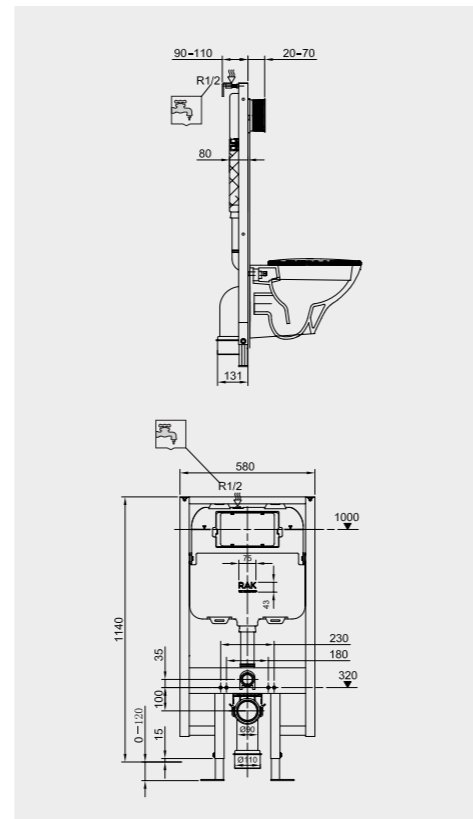
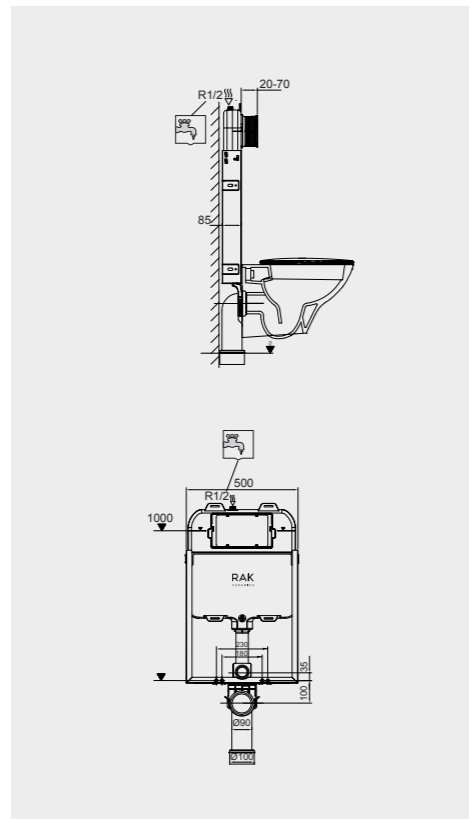
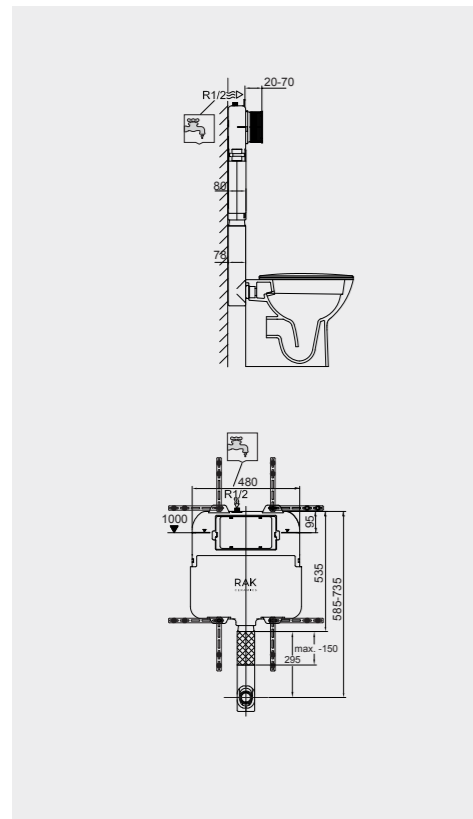


8 CM FS05RAK8C



8 CM FS04RAK8C

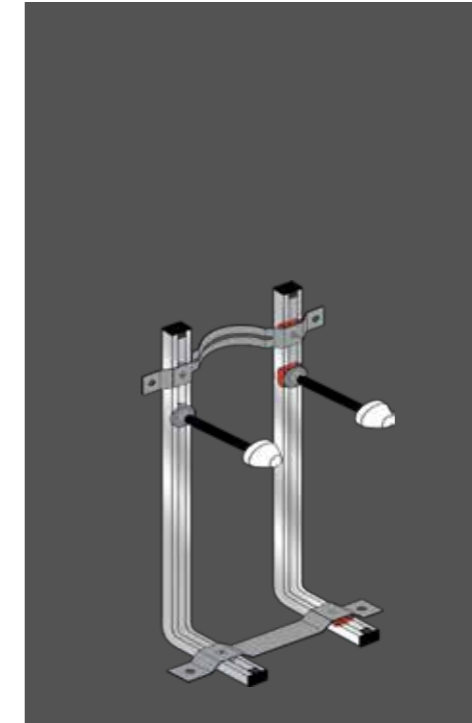
Measurements | Misure | Dimensions | Abmessungen | Размеры



Models | Modelli | Modèles | Modelle | Модели

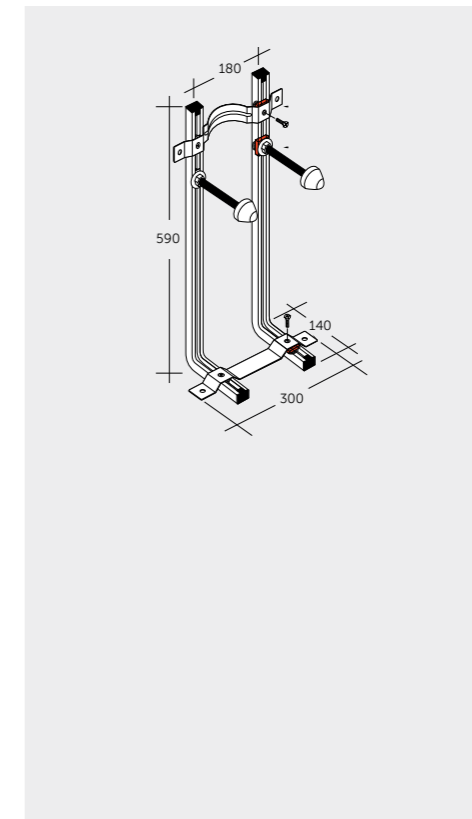
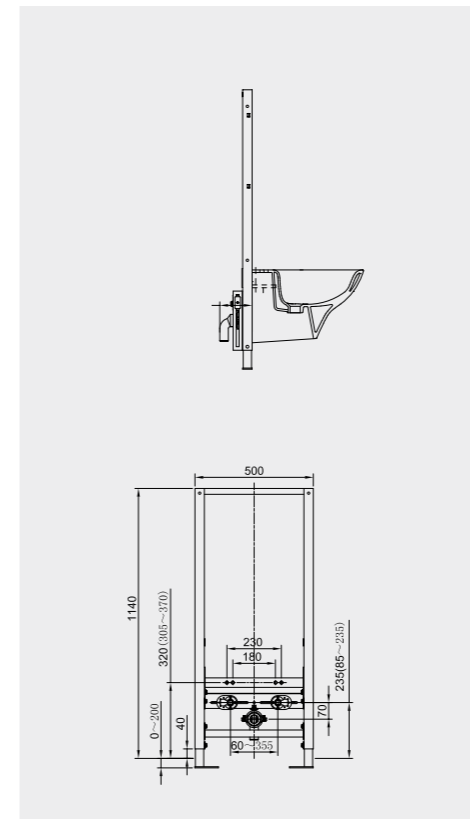


8 CM FS09RAK1



8 CM SFYS60

Measurements | Misure | Dimensions | Abmessungen | Размеры



RAK-ECOFIX / LOW HEIGHT

Models | Modelli | Modèles | Modelle | Модели



82 CM Front & Top Actuation FS12RAK82TF

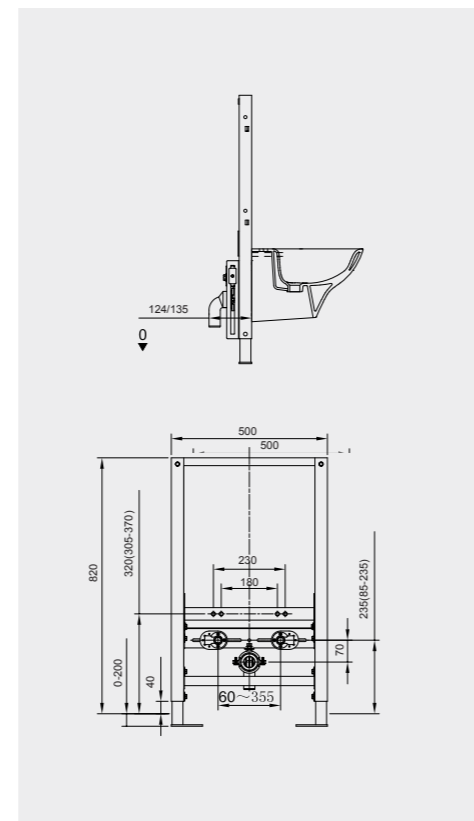
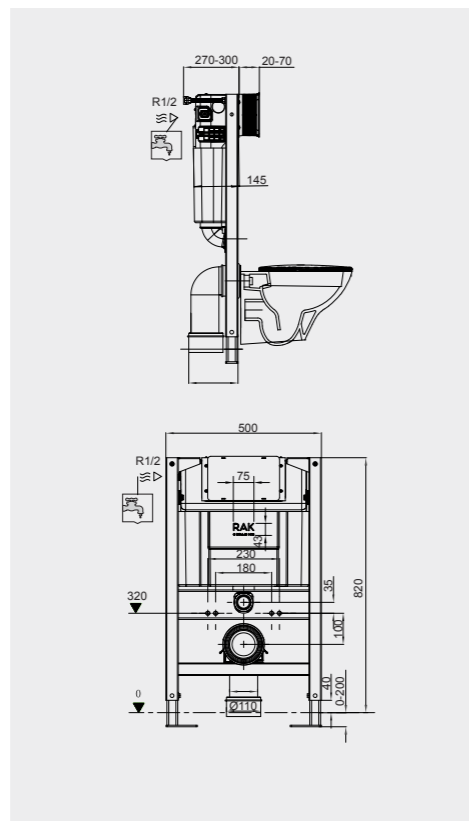
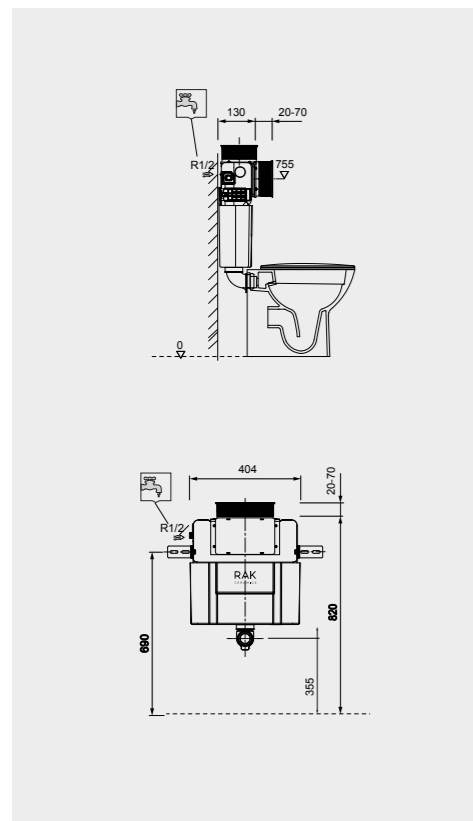


82 CM Front & Top Actuation FS04RAK82TF



82 CM FS09RAK

Measurements | Misure | Dimensions | Abmessungen | Размеры



RAK-ECOFIX / CABINET CISTERNS



RAK-Ecofix cabinet cisterns are the sanitary modules for WCs with integrated cistern and refined additional functions. The perfect and stylish alternative to the front wall ceramic cistern. Suitable for Floor Standing or Wall Hung cabinet cisterns sanitaryware, RAK-Ecofix provides invisible technology but visible beauty.

Le cassette esterne Rak=Ecofix sono gli speciali moduli per WC con cassetta integrata. L'alternativa perfetta alla classica cassetta in ceramica. Disponibile per sanitari a parete o sospesi, Rak-Ecofix garantisce tecnologia invisibile ma qualità estetica visibile e ideale per ogni ambiente.

Les réservoirs de chasse d'eau de cabinet de RAK-Ecofix, objets sanitaires de toilette, aux réservoirs de chasse d'eau encastrés et avec des fonctions supplémentaires raffinées (??). L'alternative parfaite et stylistique aux réservoirs de chasse d'eau de mur, en céramique. Appropriés à la position posée ou suspendue, les réservoirs de chasse d'eau de RAK-Ecofix pour les objets sanitaires, offrent une technologie invisible qui s'unit à une beauté visible.

Die Klosettspülkästen RAK-Ecofix sanitäre Gegenstände für das WC, mit integrierten Spülkästen und raffinierten Zusatzfunktionen. Die perfekte und stilistische Alternative zu Wandspülkästen aus Keramik. Geeignet für die stehende oder hängende Position, bieten die Spülkästen RAK-Ecofix für sanitäre Gegenstände eine unsichtbare Technologie verbunden mit einer sichtbaren Schönheit.

Смывные бачки RAK-Ecofix - это санитарные модули для унитазов со встроенным бачком и проработанными дополнительными функциями. Совершенная и стильная альтернатива традиционным керамическим бачкам. RAK-Ecofix подходит для напольных или настенных унитазов: наша технология невидима, но вы всегда сможете насладиться красотой исполнения!



FOR WALL HUNG WC
Per WC sospeso
Pour WC contre le mur
Für Wandhängendes WC
Для подвесных унитазов



Code: FS04RAKABBLK
Flush technology: Dual flush
Dimensions: 100x48x11 cm



Code: FS04RAKABWHT
Flush technology: Dual flush
Dimensions: 100x48x11 cm



FOR WALL HUNG BIDET
Per bidet sospeso
Pour bidet suspendu au mur
Für Wandhängendes Bidet
Для подвесных биде



Code: FS04RAKAB02
Dimensions: 100x48x11 cm



Code: FS04RAKAB01
Dimensions: 100x48x11 cm



FOR BACK TO WALL WC
Per WC a filo muro
Pour WC posé au sol
Für Rückwandmontage WC
Для напольных унитазов



Code: FS12RAKABBLK
Flush technology: Dual flush
Dimensions: 100x48x11 cm



Code: FS12RAKABWHT
Flush technology: Dual flush
Dimensions: 100x48x11 cm



FOR BACK TO WALL BIDET
Per bidet a filo muro
Pour bidet contre le mur
Für Rückwandmontage Bidet
Для напольных биде



Code: FS12RAKAB02
Dimensions: 100x48x11 cm



Code: FS12RAKAB01
Dimensions: 100x48x11 cm

RAK-ECOFIX / CABINET CISTERNS

Models | Modelli | Modèles | Modelle | Модели



White FS04RAKCABWHT
 Bianca
 Blanc
 Weiß
 Белый

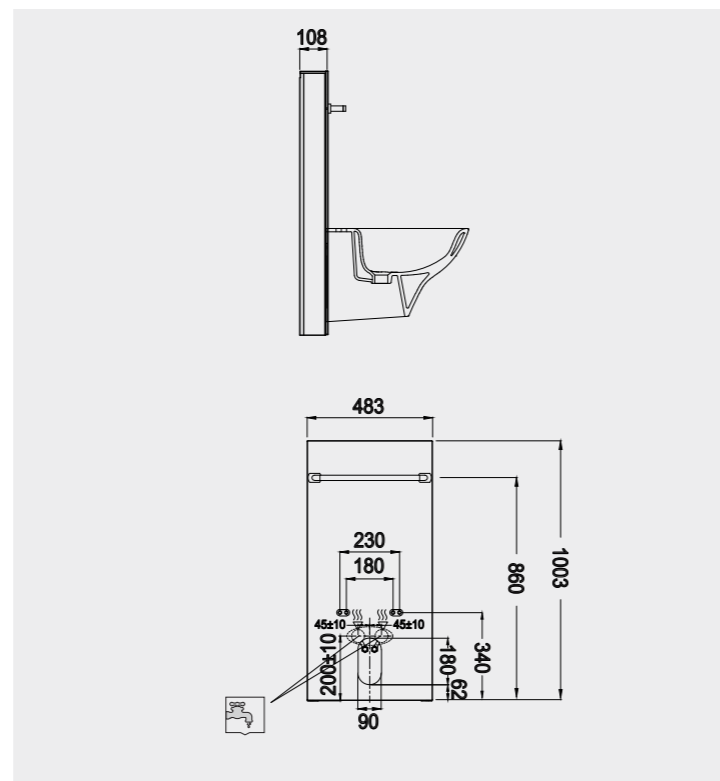
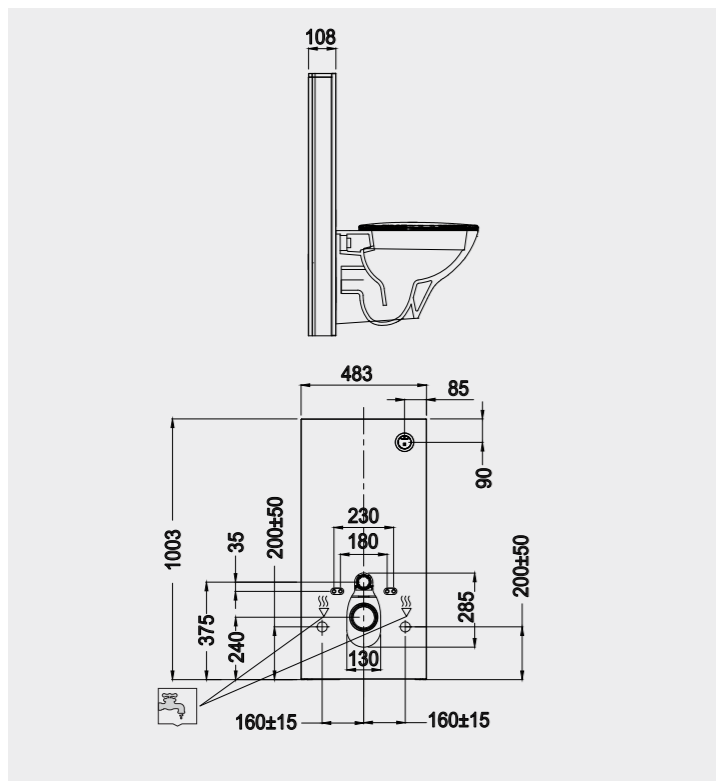
Black FS04RAKCABBLK
 Nero
 Noir
 Schwarz
 черный



White FS04RAKCAB01
 Bianca
 Blanc
 Weiß
 Белый

Black FS04RAKCAB02
 Nero
 Noir
 Schwarz
 черный

Measurements | Misure | Dimensions | Abmessungen | Размеры



Note | Nota | Remarque | Hinweis | Примечание

All dimensions in mm tolerance $\pm 5\%$ for below 200mm and $\pm 3\%$ for above 200mm | Tutte le dimensioni hanno una tolleranza di $\pm 5\%$ mm al di sotto dei 200mm e di $\pm 3\%$ mm al di sopra dei 200mm | Toutes les dimensions en mm tolérance $\pm 5\%$ pour moins de 200mm et $\pm 3\%$ pour plus de 200mm/ Alle Abmessungen in mm, Toleranz $\pm 5\%$ für unter 200mm, und $\pm 3\%$ für über 200mm | Все размеры указаны в мм, погрешность $\pm 5\%$ ниже 200 мм и $\pm 3\%$ выше 200 мм

Models | Modelli | Modèles | Modelle | Модели



White FS12RAKCABWHT
 Bianca
 Blanc
 Weiß
 Белый

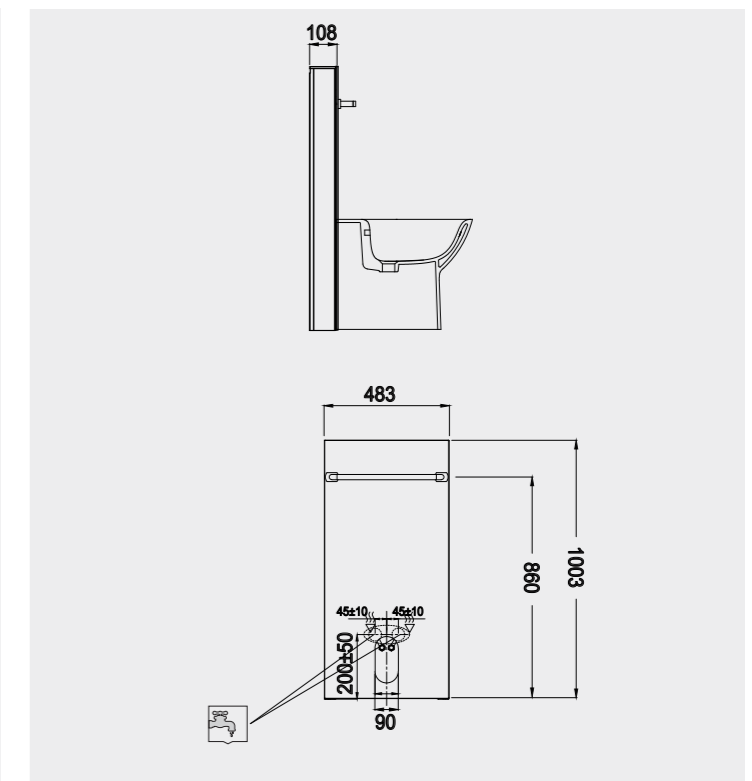
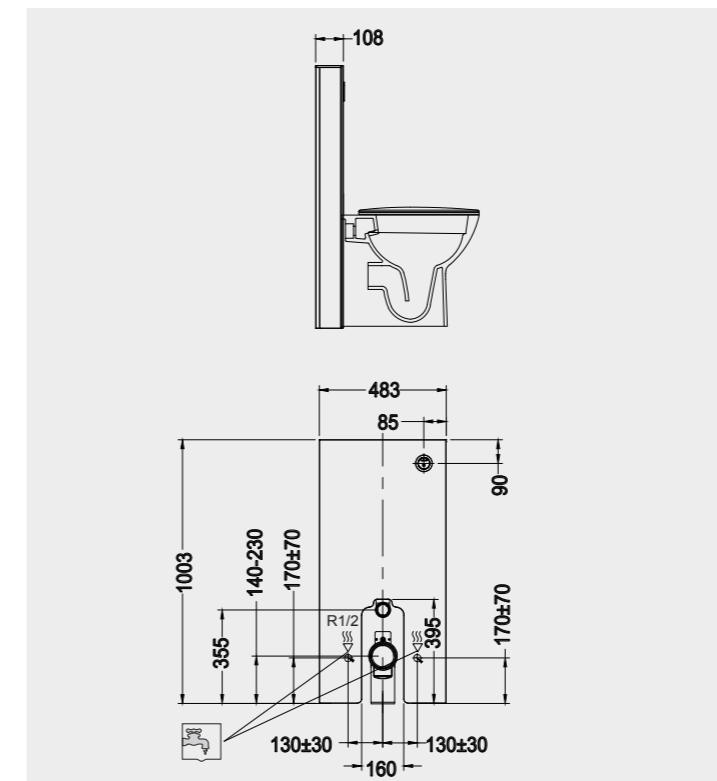
Black FS12RAKCABBLK
 Nero
 Noir
 Schwarz
 черный



White FS12RAKCAB01
 Bianca
 Blanc
 Weiß
 Белый

Black FS12RAKCAB02
 Nero
 Noir
 Schwarz
 черный

Measurements | Misure | Dimensions | Abmessungen | Размеры



RAK-ECOFIX / FURNITURE CISTERNS & UNIVERSAL FRAME



RAK-Ecofix low height concealed cisterns are designed to fit even the smallest furniture units on the market. The easy to fit cistern can be accessed for maintenance simply through the removable front panel of the furniture unit, or from the top via a removable shelf.

I sistemi di risciacquo ad altezza ridotta Rak-Ecofix sono progettati per essere installati persino nei più piccoli mobili da bagno disponibili sul mercato. La cassetta può essere facilmente ispezionata in caso di manutenzione attraverso il pannello frontale rimovibile o il ripiano superiore.

Les réservoirs de chasse d'eau bas de RAK-Ecofix sont conçus pour équiper même les plus petits meubles en vente. Le réservoir de chasse d'eau facile à encastrer, est facilement accessible aux travaux de maintenance, par le panneau de front démontable du meuble, ou d'en haut, par une case démontable.

Niedrige Einbauspülkästen von RAK-Ecofix sind dafür entworfen, selbst die kleinsten Möbelstücke auf dem Markt auszustatten. Der einfach einzubauende Spülkasten ist für Wartungsarbeiten einfach zugänglich, durch das abnehmbare Frontpaneel des Möbelstücks oder von oben, durch ein abnehmbares Fach.

Низкие системы инсталляции RAK-Ecofix подойдут для установки даже на самую малогабаритную мебель на рынке. Доступ к легко устанавливаемому бачку для технического обслуживания можно получить через съемную переднюю панель мебельного блока или сверху через съемную полку.

Models | Modelli | Modèles | Modelle | Модели



Lateral Inlet
FS12SRAKSI

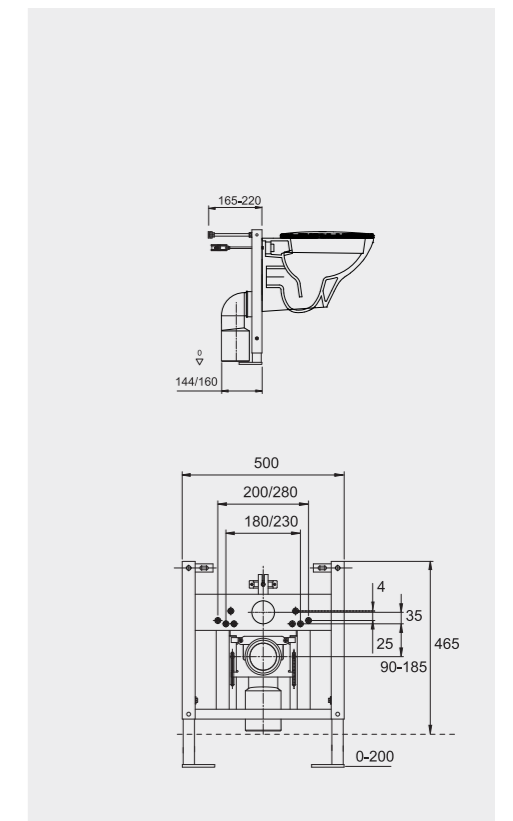
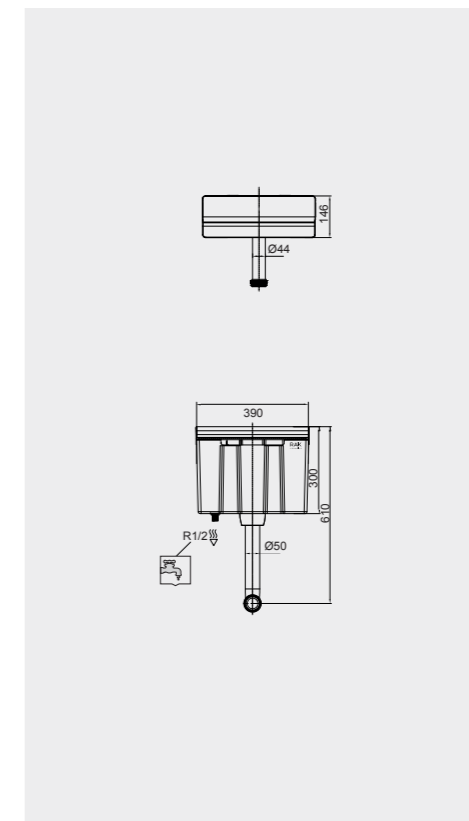
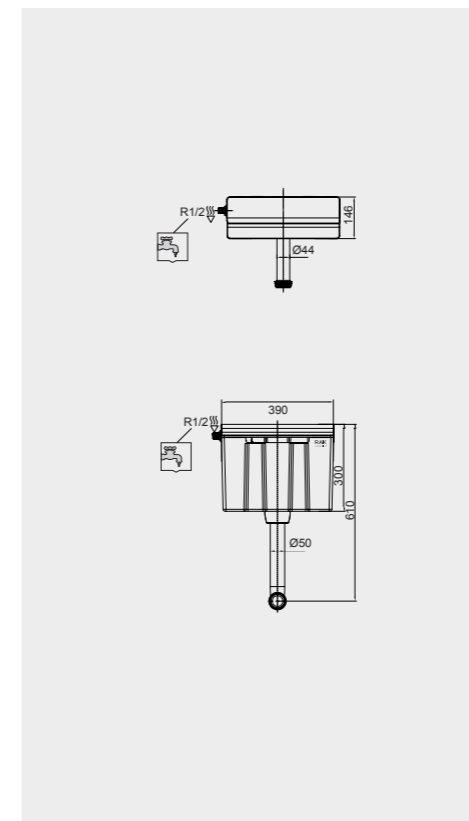


Bottom Inlet
FS12SRAKBI



FS04RAKC

Measurements | Misure | Dimensions | Abmessungen | Размеры



RAK-ECOFIX / URINAL FLUSH SENSORS



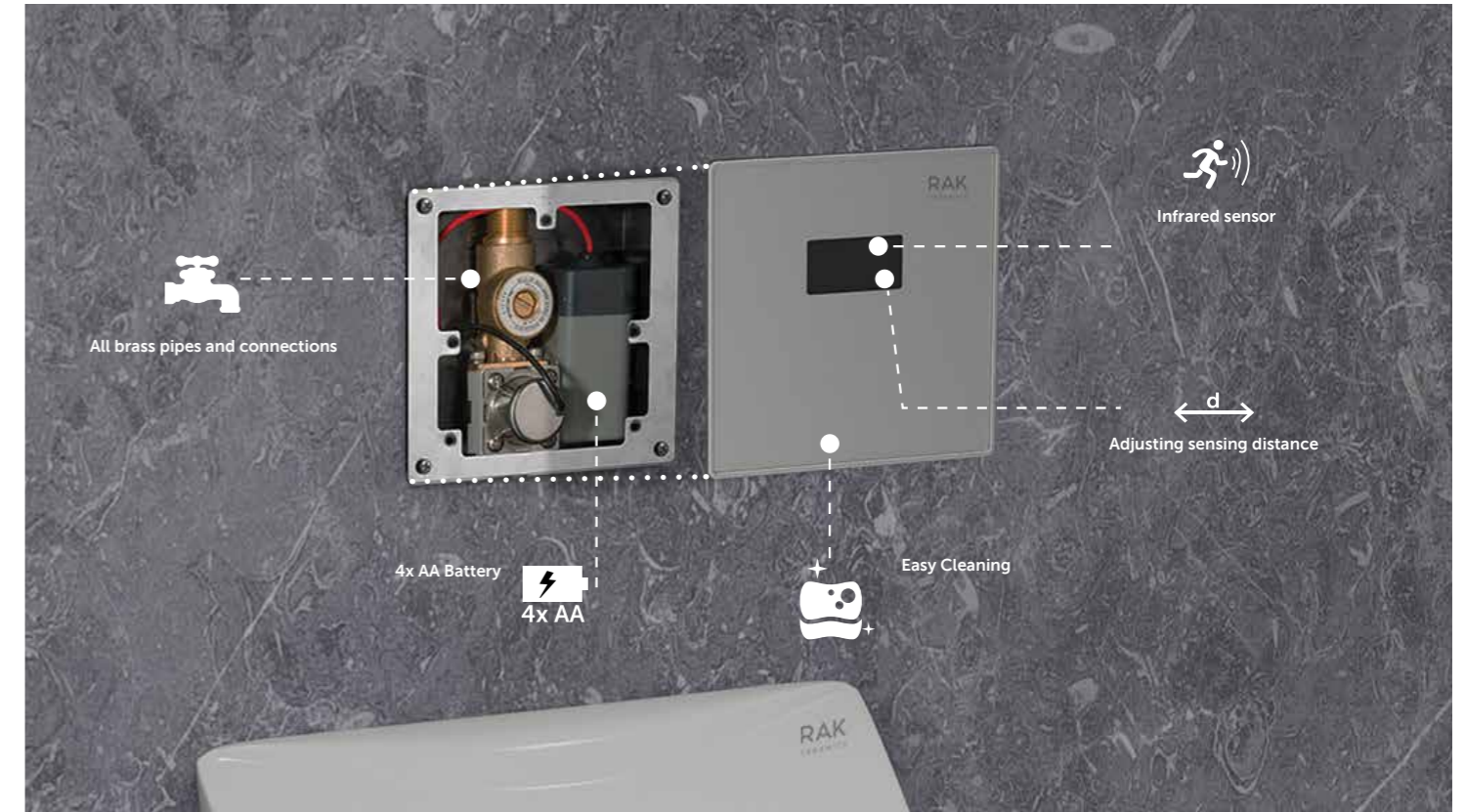
RAK-Ecofix range includes urinal electronic sensor system. The sensor automatically flushes the individual urinal after use, ensuring the highest level of hygiene from the minimum volume of water.

La gamma Rak-Ecofix comprende i sensori di risciacquo elettronici per orinatoi. I sensori consentono il risciacquo automatico dell'orinatoio dopo l'uso, garantendo il massimo livello di igiene ed il minimo consumo d'acqua.

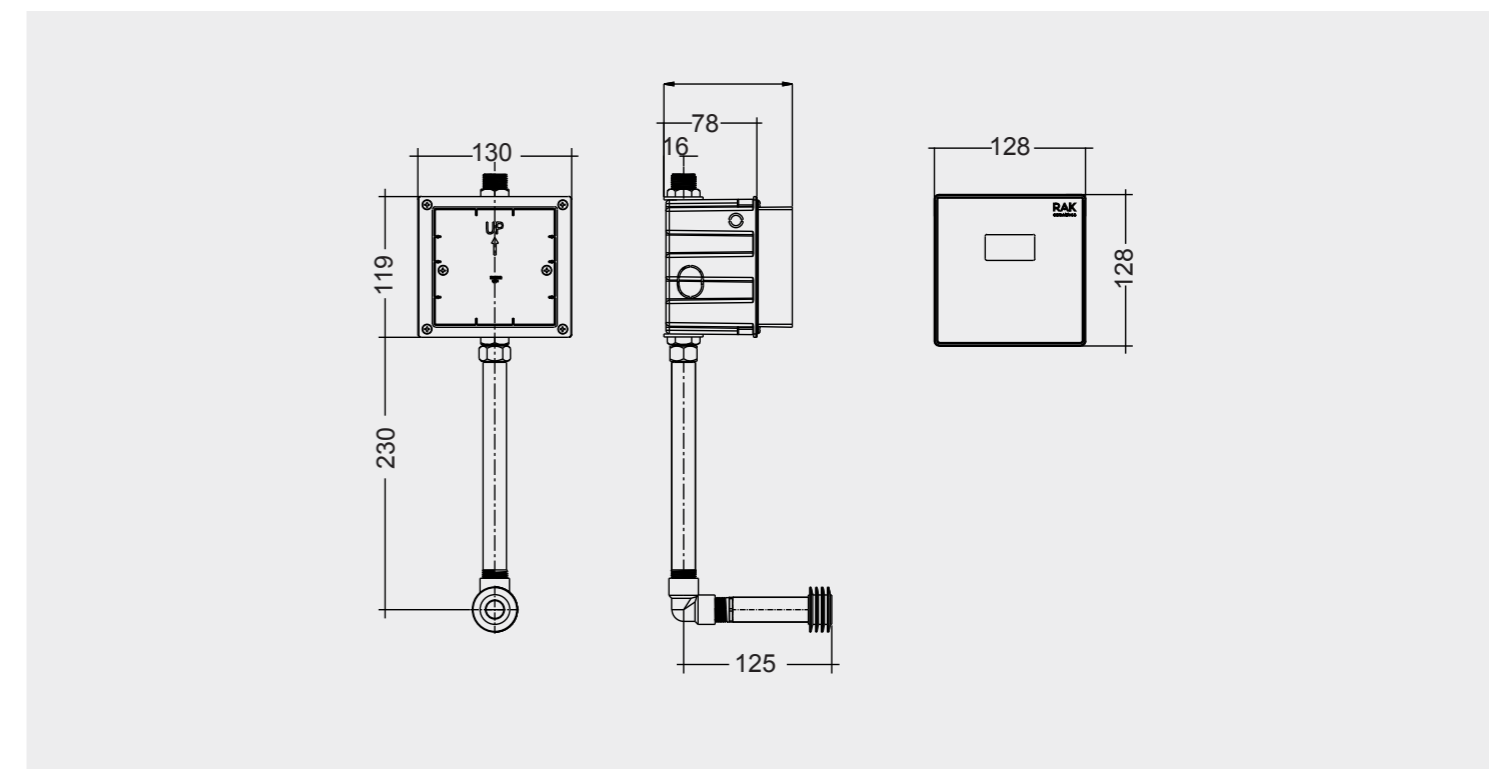
La gamme de RAK-Ecofix comprend également un système de capteurs électronique pour les pissoirs. Le capteur rince le pissoir automatiquement, après l'usage, et garantit ainsi en même temps une hygiène maximale et une consommation d'eau minimale.

Die Palette von RAK-Ecofix umfasst ebenfalls ein elektronisches Sensorsystem für Pissoirs. Der Sensor spült das Pissoir automatisch nach dem Gebrauch, und gewährleistet somit ein Maximum an Hygiene bei minimalem Wasserverbrauch.

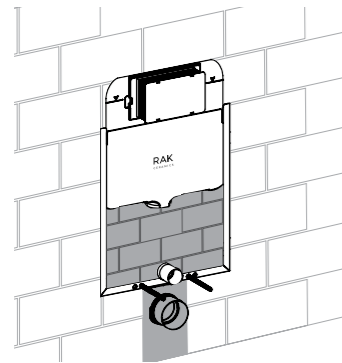
Серия RAK-Ecofix включает в себя электронные датчики писсуаров. Датчик позволяет автоматически осуществлять смыв в писсуаре после каждого использования, обеспечивая максимальный уровень гигиены при минимальном расходе воды.



FS10RAK



SOLID WALL INSTALLATION

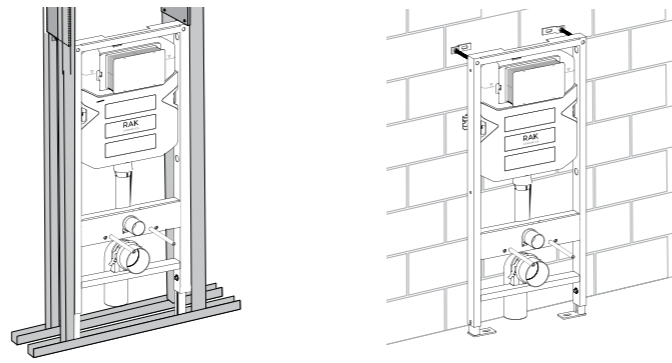


The concealed cistern can be easily fastened in front of or inside a solid wall and then brick lined.

La cassetta nascosta può essere facilmente incassata davanti o dentro a una parete di mattoni e successivamente foderata di mattoni / Le réservoir de chasse d'eau encastré peut être facilement fixé devant ou dans un mur solide, et ensuite crépi / Der eingebaute Spülkasten kann ganz einfach vor oder in einer soliden Wand fixiert, und dann verohrt. Система инсталляции может быть легко закреплена на стене или внутри сплошной стены, а затем оштукатурена.

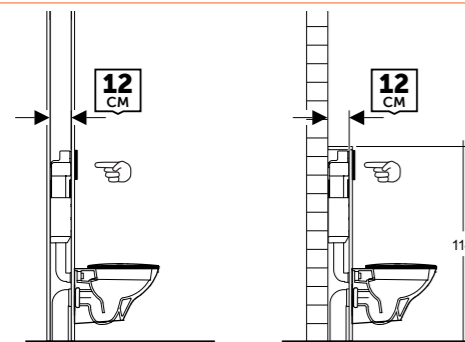
RAK-Ecofix installation elements are suitable for solid constructions and for all drywall construction situations. / Gli elementi RAK-Ecofix sono adatti alle situazioni costruttive in mattoni e a tutte le situazioni costruttive in cartongesso. / Les éléments encastrés de RAK-Ecofix sont appropriés aux constructions solides et à toutes les constructions en plâtré. / Einbauelemente von RAK-Ecofix eignen sich für solide Konstruktionen und für alle Trockenbaukonstruktionen. / Монтажные элементы RAK-Ecofix подходят для капитальных конструкций и любых конструкций из гипсокартона.

DRYWALL INSTALLATION



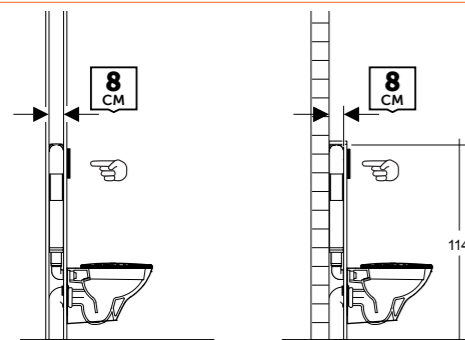
With a drywall system it is possible to create complete room-height prewalls or partitions.

È possibile creare partizioni e pareti a tutta altezza con il sistema di scarico per muri in cartongesso / Avec un système de placoplâtre, il est possible de construire des doublages complets, à hauteur d'étage ou des cloisons / Mit einem Trockenwandssystem ist es möglich, komplette raumhohe Vorsatzschalen oder Trennwände zu schaffen. С помощью гипсокартона можно создавать стены на всю высоту помещения или перегородки.



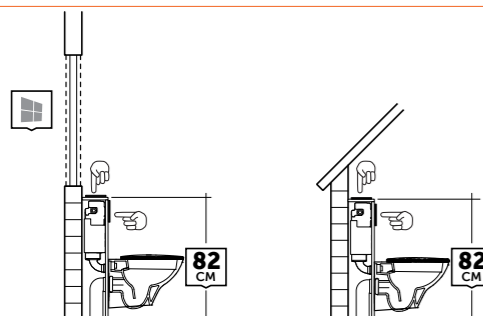
12 cm wall-thickness
Pareti da 12 cm / 12 cm d'épaisseur de mur / 12 cm Wanddicke / Толщина стены: 12 см

In the wall or in front of it, with flushing actuation from the front.
All'interno del muro o in appoggio, con placca sul fronte.
Dans ou devant le mur, avec commande de chasse d'eau de devant.
In der Wand oder davor, mit Spülbetätigung von vorne.
В стене или на ней, с активатором смыва спереди



8 cm wall-thickness
Pareti da 8 cm / 8 cm d'épaisseur de mur / 8 cm Wanddicke / Толщина стены: 8 см

For thin walls or for space-saving installations, with flushing actuation from the front.
Per installazioni speciali salvaspazio o pareti sottili, con placca sul fronte.
Pour les murs minces ou les constructions qui économisent l'espace, avec une commande de chasse d'eau de devant.
Für dünne Wände oder platzsparende Konstruktionen, mit einer Spülbetätigung von vorne.
Для тонких стен или для компактной установки, с активатором смыва спереди.



Low-height situations
Altezze ridotte / Locaux bas / Niedrige Räumlichkeiten / Низкие помещения

Special element height 82 cm, with top or front flushing actuation.
Elemento speciale da 82cm, con placca frontale o dall'alto.
Élément spécial d'une hauteur de 82 cm, avec commande de chasse d'eau de devant ou d'en haut.
Spezialelement mit einer Höhe von 82 cm, mit Spülbetätigung von Vorne oder von oben.
Специальный элемент высотой 82 см, с активатором смыва сверху или спереди.

APPLICATION

Applicazione | Application | Anwendung | Заявка

DETAILS

Dettagli | Détails | Details | Подробности

BACK TO WALL WC
WC a filo muro
WC posé au sol
Rückwandmontage WC
Приставной унитаз

WALL HUNG WC
WC sospeso
WC contre le mur
Wandhängendes WC
Подвесной унитаз

BACK TO WALL BIDET
Bidet a filo muro
Bidet contre le mur
Rückwandmontage Bidet
Приставное биде

WALL HUNG BIDET
Bidet sospeso
Bidet suspendu au mur
Wandhängendes Bidet
Подвесное биде

URINAL
Orinatoio
Urinoirs
Urinal
Писсуар

12 CM THICKNESS
Spessore 12 CM
Épaisseur 12 CM
12 CM Dicke
Толщина: 12 CM

8 CM THICKNESS
Spessore 8 CM
Épaisseur 8 CM
8 CM Dicke
Толщина: 8 CM

82 CM HEIGHT
Altezza 82 CM
Hauteur 82 CM
82 CM Höhe
Высота: 82 CM

WATER SUPPLY
Allaccio Idrico
Arrivée D'eau
Wasserzulauf
Подача воды

FIXATIONS INCLUDED
Fissaggi inclusi
Fixations inclus
Befestigungen enthalten
Крепления в комплекте

WALL ANCHORING INCLUDED
Ancoraggio a parete incluso
Anclage mural inclus
Enthaltene Wandverankerung
Настенное крепление в комплекте

6L DUAL FLUSHING
Doppio scarico 6L
Double drain 6L
6L Doppelter Abfluss
заводская установка 6 л

COMPATIBLE WITH 4.5L DUAL
Compatible con doppio scarico 4.5L.
Compatible avec le système de double chasse à 4.5 litres. Kompatibel mit dem Spülregulierungssystem mit 4.5 Liter.
Совместим с двойным сливом на 4,5 л

3L DUAL FLUSHING
Doppio scarico 3L
Double drain 3L
3L Doppelter Abfluss
заводская установка 3 л

MOTION SENSOR
Sensore di movimento
Capteur de mouvement
Bewegungssensor
Датчик движения

4x AA Battery
Batteria 4x AA
Batterie 4x AA
4x AA Batterie
4 батарейки AA

RAK-NEOFIX

RAK-Neofix Flushing systems by RAK Ceramics are the ideal solution for all types of hydro-sanitary systems. Invisible push plates integrate perfectly with any style and design of dual flush systems to reduce water consumption. All systems perfectly integrate with all of RAK Ceramics Wall Hung & BTW WCS and bidets and fit perfectly into any home environment or contract specification. Technology, innovation and water saving features make RAK-Neofix the perfect choice for your bathroom, whatever you have imagined.

I sistemi di risciacquo **RAK-Neofix** by RAK Ceramics sono la soluzione ideale per tutte le tipologie di impianto idrosanitario. Le invisibili cassette di risciacquo da incasso uniscono funzionalità ed estetica, con un notevole risparmio di spazio in ogni tipo di bagno. Le nuove ed eleganti placche di comando si integrano perfettamente con qualunque stile e design ed i sistemi dual flush riducono il consumo di acqua. Tutti i sistemi sono perfettamente integrati con la ampia gamma di sanitari sospesi o a filo muro RAK Ceramics e si adattano alla perfezione ad ogni ambiente domestico o alle esigenze dei grandi progetti. Tecnologia, innovazione e attenzione al risparmio idrico fanno di RAK-Neofix la scelta ideale per il tuo bagno, in qualunque modo tu lo abbia immaginato.

Les systèmes de chasse d'eau **RAK-Neofix** de RAK Ceramics offrent la solution idéale pour tout type d'objets hydro-sanitaires. Les invisibles réservoirs de chasse d'eau encastrés unissent la fonctionnalité et l'esthétique avec une économie d'espace considérable dans tout type de salle de bains. Les plaques-poussoirs s'intègrent à merveille dans tout style et tout design, et les systèmes de chasse d'eau de cabinet duals réduisent la consommation d'eau. Tous les systèmes se relient parfaitement avec le grand choix d'objets sanitaires posés ou suspendus, et s'adaptent à merveille à toute situation constructive ainsi qu'aux exigences de grands projets. La technologie, l'innovation et l'attention pour l'économie d'eau font de RAK-Neofix le choix idéal pour votre salle de bains, telle que vous vous l'imaginez.

Die Spülsysteme **RAK-Neofix** von RAK Ceramics sind die ideale Lösung für alle Arten hydrosanitärer Anlagen. Die unsichtbaren eingebauten Spülkästen vereinen Funktionalität und Ästhetik mit einer beträchtlichen Raumsparnis in jeder Art von Bad. Die Spültasten integrieren sich hervorragend in jeden Stil und in jedes Design, und die dualen Klosettspülsysteme reduzieren den Wasserverbrauch. Alle Systeme verbinden sich perfekt mit der breiten Auswahl an stehenden oder hängenden sanitären Gegenständen, und passen sich hervorragend jeder häuslichen Umgebung sowie den Anforderungen großer Projekte an. Technologie, Innovation und das Interesse an einer Wasserersparnis machen RAK-Neofix zur idealen Wahl für Ihr Bad, wie Sie es sich auch immer vorstellen.

Системы инсталляции **RAK-Neofix** компании RAK Ceramics — это идеальное решение для всех типов водных санитарных систем. Незаметные встраиваемые системы инсталляции сочетают функциональность и эстетичность, не занимая много места в ванной комнате. Новые элегантные кнопки смыва совместимы с любыми системами двойного смыва (например, 3/6 л), позволяя снизить расход воды. Все системы совместимы с любыми подвесными и пристенными унитазами и биде RAK Ceramics, превосходно вписываются в любое пространство. Передовые технологии, инновации и пониженный расход воды делают RAK-Neofix идеальным выбором для вашей ванной комнаты, какой бы она ни была.



ABS (RECTANGULAR)
NEOFSRAKPL02



8 CM
NEOFS12RAK8C

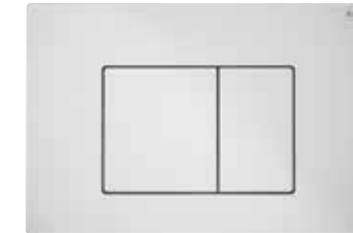
RAK-NEOFIX / PUSH PLATES




All dimensions in mm
جميع الأبعاد بالمليمتر

WHITE

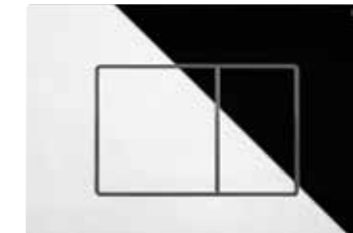
Flush technology: Dual flush
Dimensions: 236x152x12 mm




 **Code: NEOFSRAKPPL01**
ABS White

CHROME

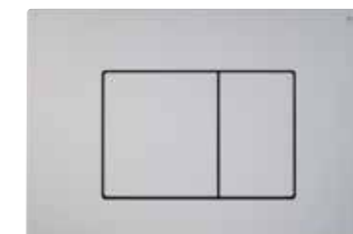
Flush technology: Dual flush
Dimensions: 236x152x12 mm




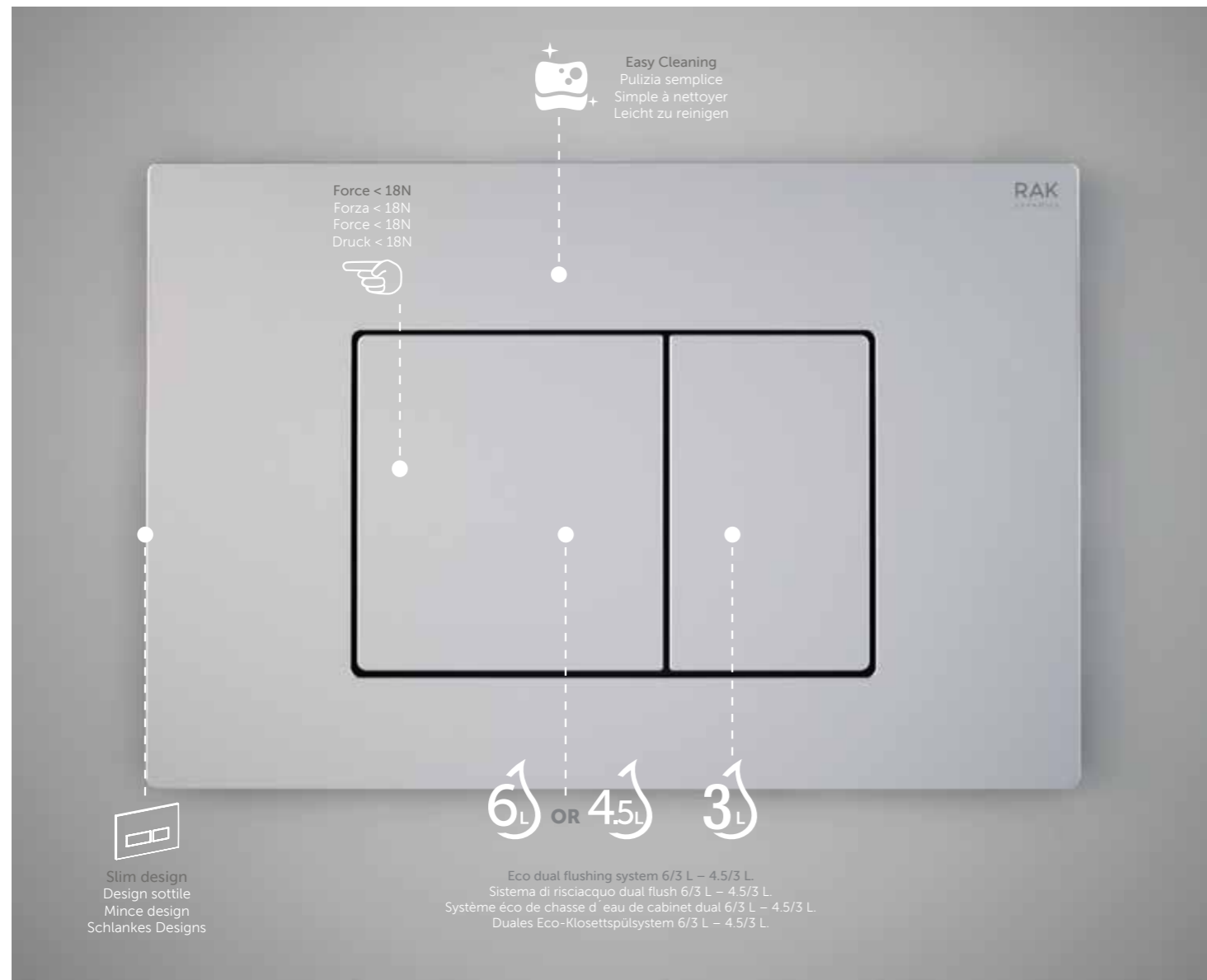
 **Code: NEOFSRAKPPL02**
ABS Chrome

MATT CHROME

Flush technology: Dual flush
Dimensions: 236x152x12 mm



 **Code: NEOFSRAKPPL03**
ABS Matt chrome



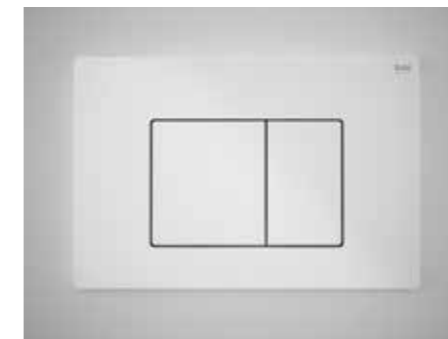
RAK-Neofix not only offers limitless installation possibilities, but a flat designed range of push plates in 3 elegant finishes and 2 different designs. The push plate is the only visible part of the concealed cistern and is built for the water saving dual system flush in volumes 6-3 liters or 4.5-3 liters. Another possibility to move functionality and style into your bathroom.

RAK-Neofix non offre solamente infinite possibilità di installazione, ma una gamma di placche di comando in 3 eleganti finiture e 2 differenti design. La placca di comando è l'unica parte visibile del sistema di risciacquo da incasso ed è progettata per attivare il risciacquo a risparmio idrico Dual System da 6/3 litri, o 4.5/3 litri. Stile e funzionalità convivono perfettamente per dare il meglio al tuo bagno.

Au-delà d'une infinité de possibilités d'installation, RAK-Neofix offre également un grand choix de plaques-poussoirs en 3 finitures élégantes et 2 différents designs. La plaque-poussoir est la seule partie visible du réservoir de chasse d'eau encastré, et est construite pour les systèmes de chasse d'eau de cabinet duals, à l'économie d'eau, pour 6-3 litres ou 4.5-3 litres. Une autre possibilité de conférer à votre salle de bains de la fonctionnalité et du style.

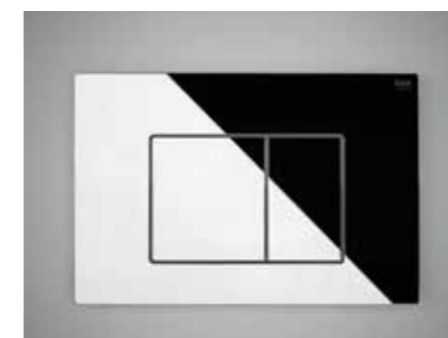
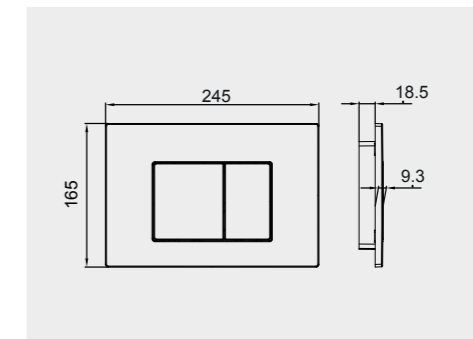
RAK-Neofix bietet nicht nur unendlich viele Installationsmöglichkeiten, sondern auch eine große Auswahl an Spültasten in 3 eleganten Ausarbeitungen und 2 verschiedenen Designs. Die Spültaste ist der einzige sichtbare Teil des eingebauten Spülkastens, und ist für wassersparende duale Klosettspülsysteme für 6-3 Liter oder 4.5-3 Liter konstruiert. Eine weitere Möglichkeit, Funktionalität und Stil in Ihr Badezimmer zu bringen.

RAK-Neofix предлагает не только безграничные возможности установки, но и дизайнерский ассортимент клавишей смыва в 3 элегантных отделках и 2 вариантах дизайна. Клавиши смыва - это единственная видимая часть скрытого бачка, встроенная для реализации системы экономии воды с использованием двойного смыва объемом 6-3 литра или 4,5-3 литра. Еще одна возможность привнести функциональность и стиль в вашу ванную комнату.



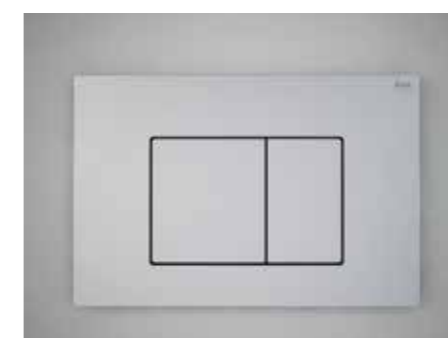
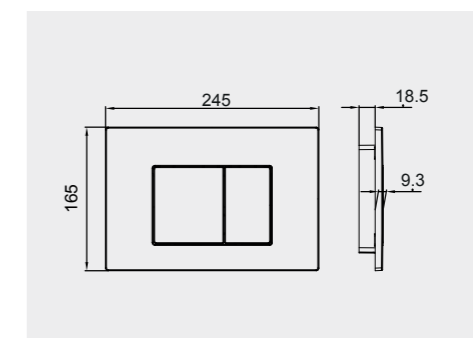
NEOFSRAKPPL01 White

RECTANGULAR



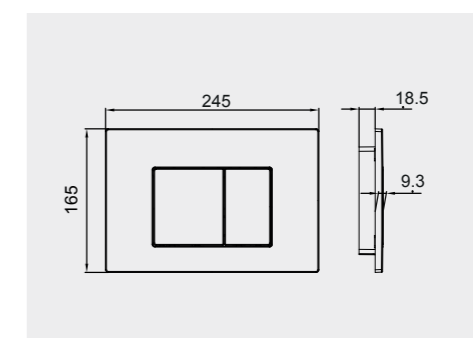
NEOFSRAKPPL02 Chrome

RECTANGULAR

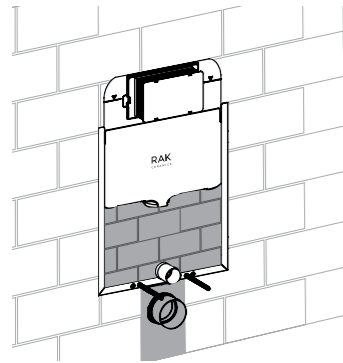


NEOFSRAKPPL03 Matt Chrome

RECTANGULAR

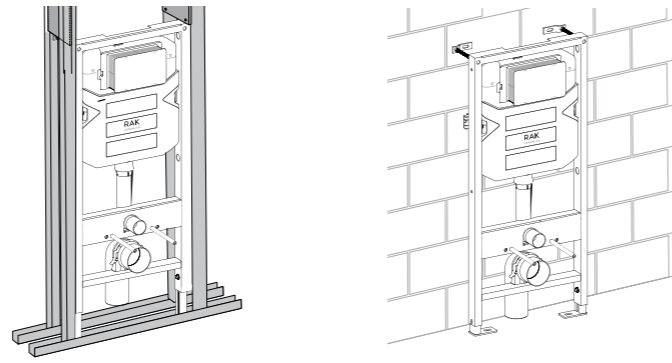


SOLID WALL INSTALLATION



The concealed cistern can be easily fastened in front of or inside a solid wall and then brick lined.

DRYWALL INSTALLATION

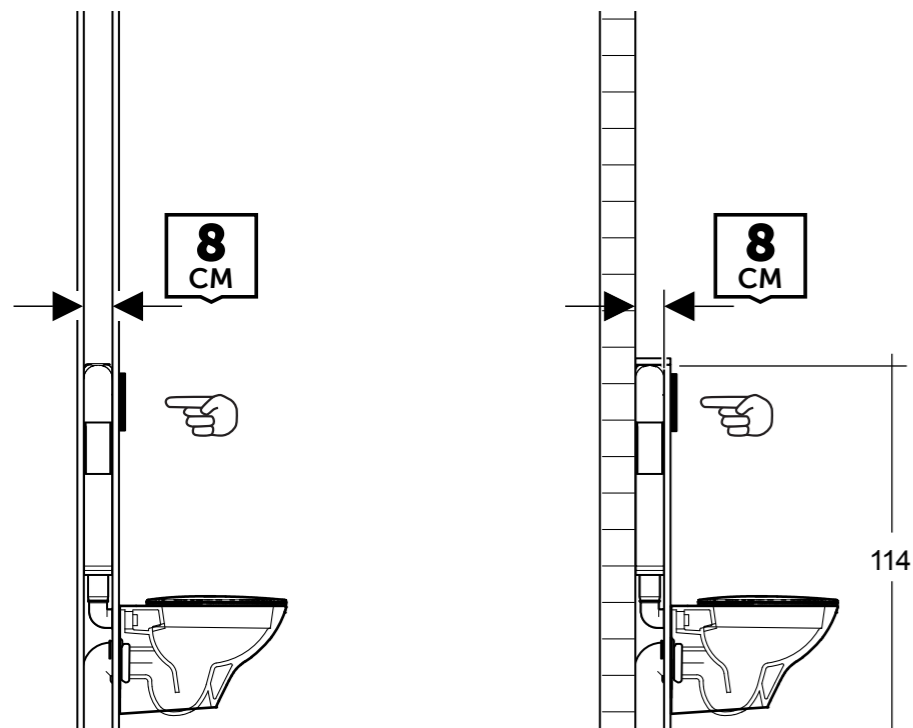


With a drywall system it is possible to create complete room-height prewalls or partitions.

RAK-Neofix installation elements are suitable for solid constructions and for all drywall construction situations

8 cm wall-thickness

For thin walls or for space-saving installations, with flushing actuation from the front.



NEOFIX / 8 CM THICKNESS

Models | Modelli | Modèles | Modelle | Модели

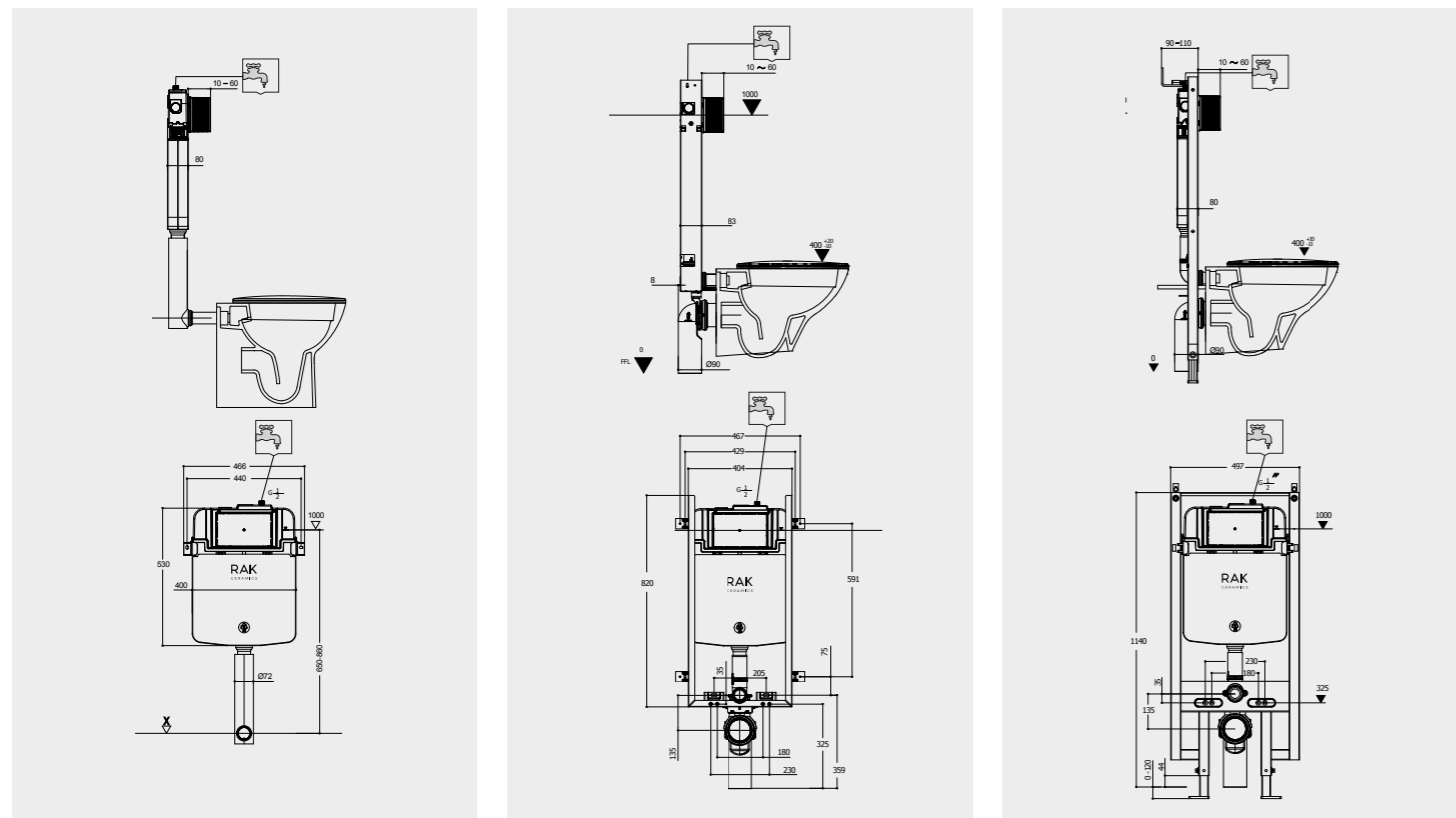


8 CM NEOF12RAK8C

8 CM NEOF05RAK8C

8 CM NEOF04RAK8C

Measurements | Misure | Dimensions | Abmessungen | Размеры



KITCHEN SINKS
LAVELLI DA CUCINA
ÉVIER DE CUISINE
KÜCHENSPÜLE
КУХОННЫЕ МОЙКИ

KITCHEN SINKS

There's no better place than the kitchen to share stories, meet friends, express themselves in total freedom.

The RAK Ceramics kitchen sink system comes from this idea of space, with endless possibilities for all styles, from country to contemporary, warm and welcoming or functional and modern. Get inspired by the range of RAK Ceramics solutions, play with colors and finishes and design your ideal kitchen right down to the last detail.

Il Sistema di lavelli da cucina RAK Ceramics nasce da questa idea di spazio, con infinite possibilità per tutti gli stili, dal country al contemporaneo, caldo ed accogliente oppure funzionale e moderno. Ispirati alla gamma di soluzioni RAK Ceramics, gioca con i colori e le finiture e disegna la tua cucina ideale fin nei minimi dettagli.

Le système de bacs d'évier RAK Ceramics naît de cette idée d'espace, avec une infinité de possibilités pour tous les styles, du country au contemporain, chaud et accueillant ou bien fonctionnel et moderne. Inspirez-vous à la gamme de solutions RAK Ceramics, jouez avec les couleurs et les finitions et dessinez votre cuisine idéale jusque dans les moindres détails.

Das Spülbeckensystem RAK Ceramics entsteht aus dieser Idee des Raumes, mit unendlich vielen Möglichkeiten für alle Stile, vom Country bis hin zum Zeitgenössischen, warm und einladend, oder funktionell und modern. Inspirieren Sie sich an der Lösungspalette Rak Ceramics, spielen Sie mit den Farben und den Oberflächenbeschaffenheiten und entwerfen Sie Ihre ideale Küche bis in die kleinsten Details.

Нет лучшего места для встреч с друзьями, историй и полной свободы самовыражения, чем кухня. В основе системы кухонной мойки RAK Ceramics лежит идея пространства с бесконечными возможностями для всех стилей, от деревенского до современного, тепло и гостеприимного или функционального и авангардного. Вдохнитесь множеством идей Rak Ceramics, экспериментируйте с цветами и типами полировки и моделируйте свою идеальную кухню вплоть до мельчайших подробностей.





GLOSSY ALPINE WHITE (AWH)



MATT WHITE (500)



MATT GREIGE (505)



MATT CAPPUCCINO (514)



MATT GREY (503)



MATT BLACK (504)

MAKE YOUR CHOICE FOR ORIGINAL INTERIORS

RAK Ceramics kitchen sinks are available in a new color range to freely express your style and to coordinate your ceramic sink with worktop, surfaces and furniture.

I lavelli da cucina RAK Ceramics sono disponibili in una nuova gamma di colori ideale per poter esprimere al meglio il tuo stile, coordinando il lavello in ceramica al piano di lavoro, alle superfici ed ai componenti d'arredo.

Les bacs d'évier RAK Ceramics sont disponibles en une nouvelle gamme de couleurs, idéale pour exprimer le mieux votre style, en coordonnant le bac en céramique avec le plan de travail, les surfaces et les composants mobiliers.

Die Spülbecken von RAK Ceramics sind verfügbar in einer neuen Auswahl an Farben, ideal um Ihren Stil bestmöglich zum Ausdruck zu bringen, indem Sie das Keramikspülbecken an die Arbeitsplatte, die Arbeitsflächen und die Einrichtungsgegenstände anpassen.

Los fregaderos de cocina de RAK Ceramics están disponibles en una nueva gama de colores para expresar libremente tu estilo y coordinar tu fregadero de cerámica con la encimera, las superficies y los muebles de tu cocina.

Кухонные мойки RAK Ceramics доступны в новой цветовой гамме для свободного выражения стиля, а также с возможностью сочетания керамической мойки со столешницей, поверхностями и мебелью.

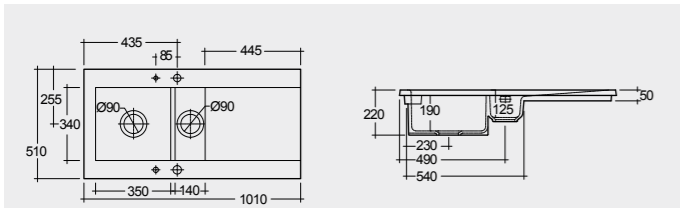


KITCHEN SINKS

RAK-Dream1 101 CM



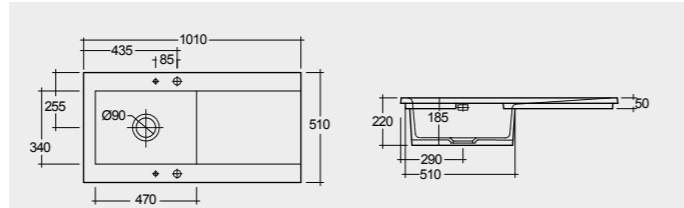
Left: OC200LHSL514A External overflow optional
 Right: OC200RHSL514A
 No tap hole: OC200NTSL514A



RAK-Dream2 101 CM



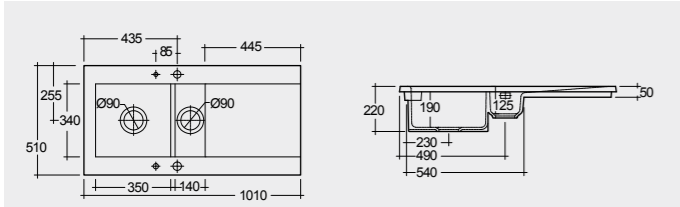
Left: OC201LHSL514A External overflow optional
 Right: OC201RHSL514A
 No tap hole: OC201NTSL514A



RAK-Dream1 101 CM



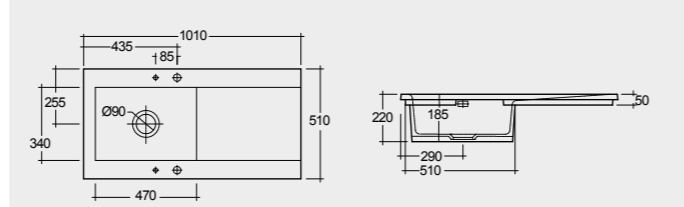
Left: OC200LHSLAWHA External overflow optional
 Right: OC200RHSLAWHA
 No tap hole: OC200NTSLAWHA



RAK-Dream2 101 CM



Left: OC201LHSLAWHA External overflow optional
 Right: OC201RHSLAWHA
 No tap hole: OC201NTSLAWHA



Note | Nota | Remarque | Hinweis | Примечание

All dimensions in mm tolerance $\pm 5\%$ for below 200mm and $\pm 3\%$ for above 200mm | Tutte le dimensioni hanno una tolleranza di $\pm 5\%$ mm al di sotto dei 200mm e di $\pm 3\%$ mm al di sopra dei 200mm | Toutes les dimensions en mm tolérance $\pm 5\%$ pour moins de 200mm et $\pm 3\%$ pour plus de 200mm/ Alle Abmessungen in mm, Toleranz $\pm 5\%$ für unter 200mm, und $\pm 3\%$ für über 200mm | Все размеры указаны в мм, погрешность $\pm 5\%$ ниже 200 мм и $\pm 3\%$ выше 200 мм



KITCHEN SINKS

RAK-Silvia 45 CM



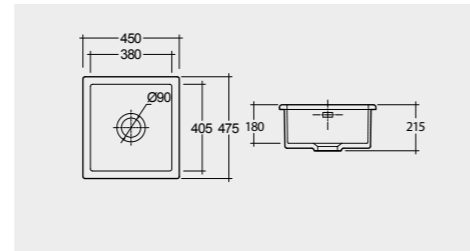
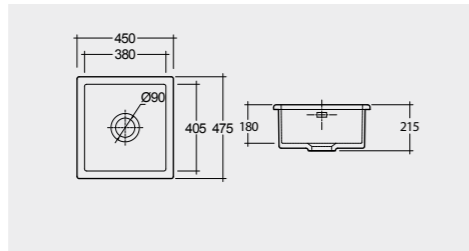
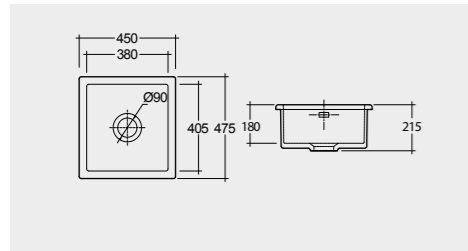
OC104AWHA With external overflow AWH



OC104500A With external overflow 500



OC104505A With external overflow 505



RAK-Silvia 45 CM



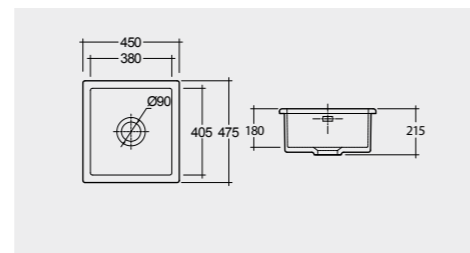
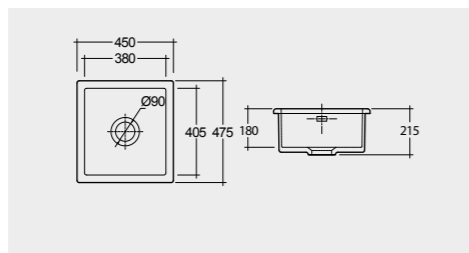
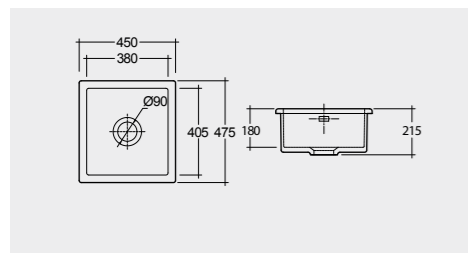
OC104514A With external overflow 514



OC104503A With external overflow 503



OC104504A With external overflow 504

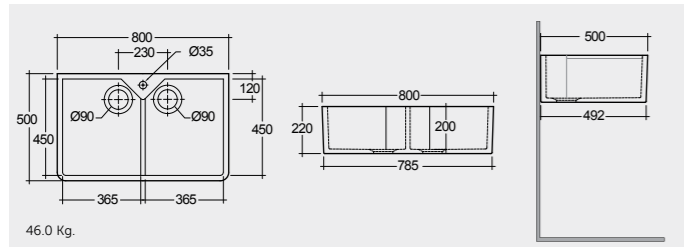


KITCHEN SINKS

RAK-Jacklyn 80 CM



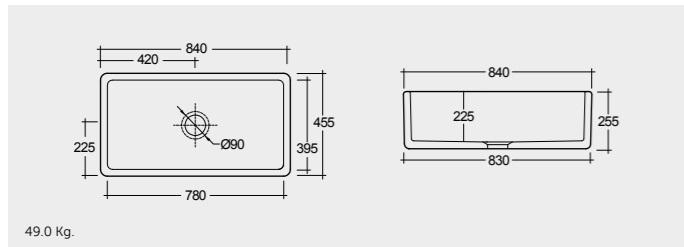
OC124AWHA



RAK-Gwen 84 CM



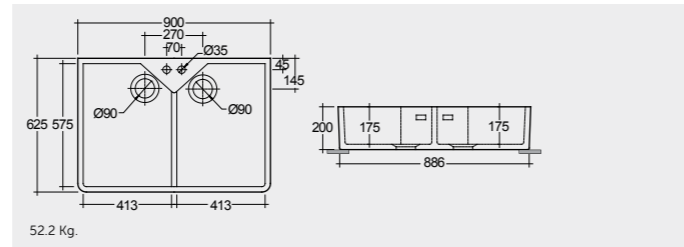
OC189AWHA



RAK-Roma 90 CM



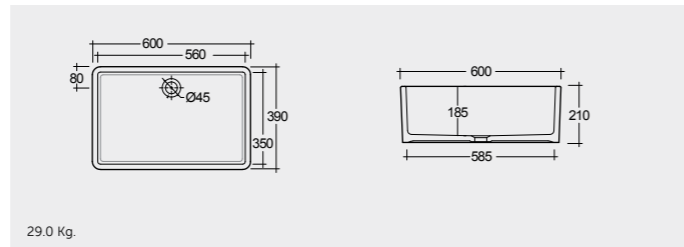
OC166AWHA



RAK-New York 60 CM



OC188AWHA

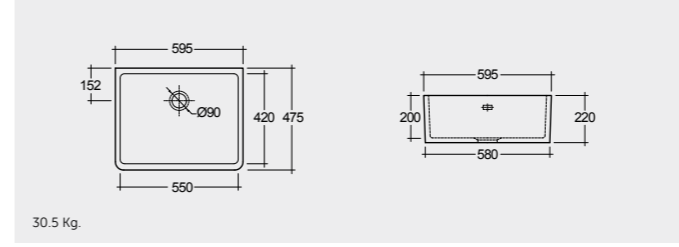


KITCHEN SINKS

RAK-Tulip 59 CM



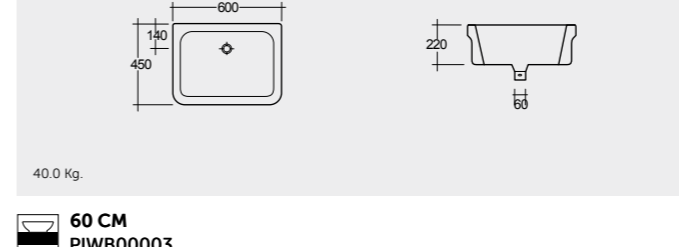
OC84AWHA



RAK -Pinarella Sink 60 CM



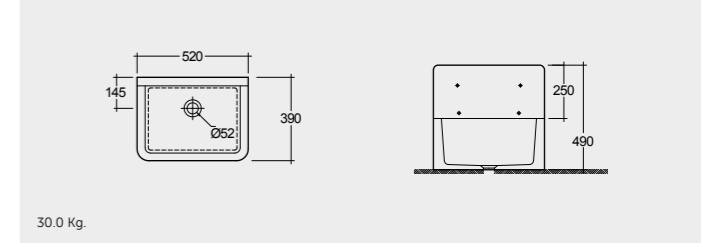
60 CM
PIWB00003



RAK-Cleaner Sink 52 CM



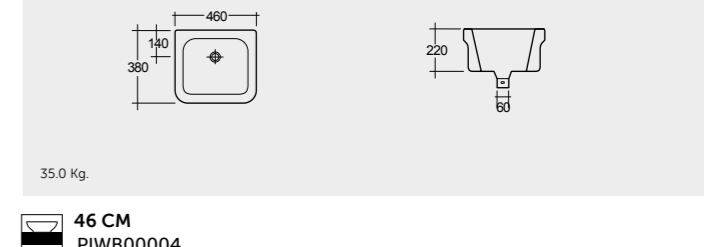
OC23AWHA



RAK-Pinarella Sink 46 CM



46 CM
PIWB00004



Note | Nota | Remarque | Hinweis | Примечание

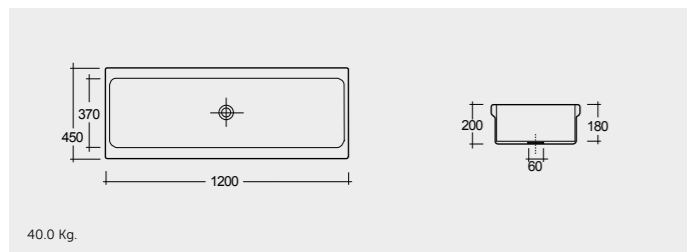
All dimensions in mm tolerance $\pm 5\%$ for below 200mm and $\pm 3\%$ for above 200mm | Tutte le dimensioni hanno una tolleranza di $\pm 5\%$ mm al di sotto dei 200mm e di $\pm 3\%$ mm al di sopra dei 200mm | Toutes les dimensions en mm tolérance $\pm 5\%$ pour moins de 200mm et $\pm 3\%$ pour plus de 200mm/ Alle Abmessungen in mm, Toleranz $\pm 5\%$ für unter 200mm, und $\pm 3\%$ für über 200mm | Все размеры указаны в мм, погрешность $\pm 5\%$ ниже 200 мм и $\pm 3\%$ выше 200 мм

KITCHEN SINKS

RAK-Rimini Sink 120 CM



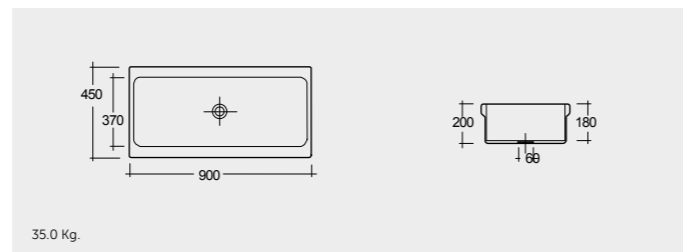
RIWB00003



RAK-Rimini Sink 90 CM



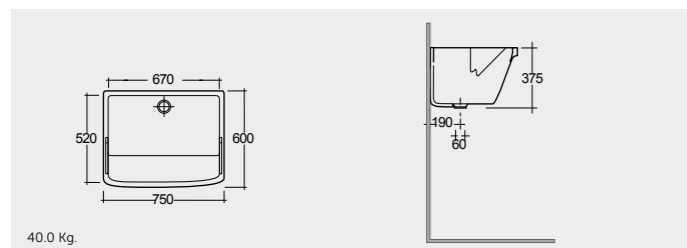
RIWB00004



RAK Cervia Sink 75 CM



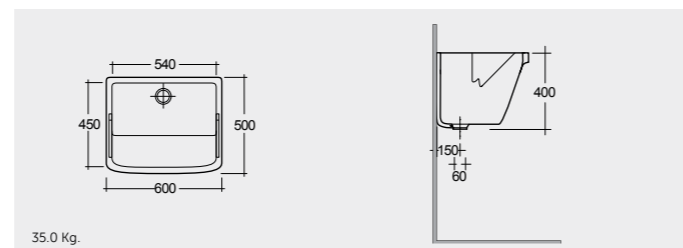
CEWB00003



RAK Cervia Sink 60 CM



CEWB00004

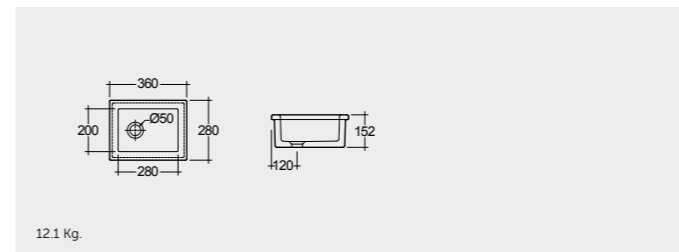


KITCHEN SINKS

RAK-Lab Sink#1 36 CM



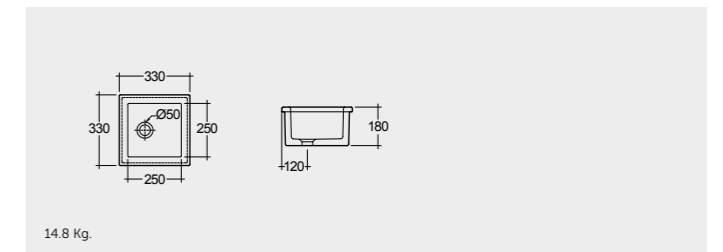
OC162AWHA



RAK-Lab Sink#2 33 CM



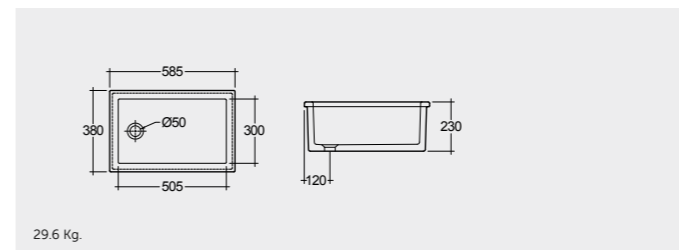
OC163AWHA



RAK-Lab Sink#3 58 CM



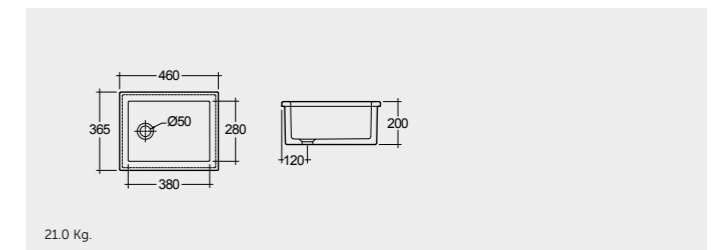
OC164AWHA



RAK-Lab Sink#4 46 CM



OC165AWHA



Note | Nota | Remarque | Hinweis | Примечание

All dimensions in mm tolerance $\pm 5\%$ for below 200mm and $\pm 3\%$ for above 200mm | Tutte le dimensioni hanno una tolleranza di $\pm 5\%$ mm al di sotto dei 200mm e di $\pm 3\%$ mm al di sopra dei 200mm | Toutes les dimensions en mm tolérance $\pm 5\%$ pour moins de 200mm et $\pm 3\%$ pour plus de 200mm/ Alle Abmessungen in mm, Toleranz $\pm 5\%$ für unter 200mm, und $\pm 3\%$ für über 200mm | Все размеры указаны в мм, погрешность $\pm 5\%$ ниже 200 мм и $\pm 3\%$ выше 200 мм

TECHNICAL INFORMATION
INFORMAZIONI TECNICHE
INFORMATIONS TECHNIQUES
TECHNISCHE DATEN
ТЕХНИЧЕСКАЯ ИНФОРМАЦИЯ

TECHNICAL INFORMATION
INFORMAZIONI TECNICHE
INFORMATIONS TECHNIQUES
TECHNISCHE DATEN
ТЕХНИЧЕСКАЯ ИНФОРМАЦИЯ

FM CC : Floor Mounted Close Coupled
BTW : Back To Wall
FM : Floor Mounted

WH : Wall Hung
WH CC : Wallhung Close Coupled
QR : Quick Release

MODEL NAME Modello Modèle Modell Кухонные раковины	ONE PIECE	PRODUCTS AVAILABLE Prodotto Disponibile Produits Disponibles Produkte Verfügbar Продукты В Наличии				TYPE Tipo Type Typ Тип	RIMLESS	WH HIDDEN FIXATION Fissaggio Nascosto Fixation cachée Verdeckte Befestigung Скрытое крепление	TRAP DETAILS OF FM CC Dettagli Scarico per Monoblocco Détails d'écoulement pour le WC en monobloc Abflussdetails für das Tiefspül WC Детали Ловушки Fm Cc		TRAP DETAILS OF BTW Dettagli Scarico per Filomuro Détails d'écoulement pour le WC contre le mur Abflussdetails für das Rückwandmontage WC Детали Ловушки Обратнo На Стенy	
		FM CC	BTW	WH	WH CC				P	S	P	S
RAK-Bella Disabled		FM							180-230			
RAK-Caroline		•	•						190		190	
RAK-Compact		•	•	•					187	230	190	100
RAK-Compact RIMLESS		•		•		•		•	190		190	
RAK-Des		•	•	•			•	•	190	150	190	100
RAK-One		•	•	•					190	240	190	
RAK-One RIMLESS				•		•		•				
RAK- Junior			•								180	
RAK-Karla		•	•	•	•				185	140, 240	190	100
RAK- Lena Child		FM							180 - 230			
RAK-Morning RIMLESS		•	•	•		•		•				
RAK-Moon		•	•	•					190		190	
RAK-Moon RIMLESS		•	•	•		•		•	190		190	
RAK-Metropolitan		•	•	•					190	230	190	
RAK-Metropolitan RIMLESS		•		•		•		•	190		190	
RAK-Opulence		•	•	•					190	240	190	
RAK-Orient		•	•						190	240	190	110
RAK-Origin		•	•	•					180	240	190	
RAK-Resort RIMLESS		•	•	•		•		•	185		185	
RAK-Sensation												
RAK-Sensation RIMLESS												
RAK-Silver												
RAK-Silver RIMLESS												
RAK-Special needs		•	•	•		•			190		190	
RAK-Tonique		•	•						190		190	
RAK-Tonique RIMLESS				•		•		•				
RAK-Washington		•		•					195	240		
RAK-Washington RIMLESS				•		•						

WATER CLOSETS & MATCHING CONVERSION BEND DETAILS

WC & CURVE TECNICHE COMPATIBILI

WC ET DÉTAILS SUR LES CONNEXIONS COMPATIBLES

WC UND DETAILS ZU KOMPATIBLEN ANSCHLUSSSTUTZEN

ПРИСТАВНОЙ УНИТАЗ И СООТВЕТСТВУЮЩИЕ ДЕТАЛИ ИЗГИБА КОНВЕРСИИ

Water Closet Model Modelli wc/ Modèle wc/ Modell-/ Унитаз-компакт (Rear supporting part of WC to be removed where applicable/ Parte posteriore del WC da rimuovere se applicabile/ Partie postérieure du WC à enlever si applicable/ Der hintere, bei Bedarf entfernbare Teil des WC/ Задняя опорная часть унитаза должна быть удалена, где это применимо) CC - Close coupled/ monoblocco/ monobloc/ tiefspül/ Приставной унитаз BTW - Back to wall/ filomuro/ posé au sol / rückwandmontage P - P trap/ scarico a parete/ au sol/ S-Falle/ Выход в стену S - S trap/ scarico a terra/ au sol/ S-Falle/ Выход в пол	Proposed P to S conversion bend and possible Trap distance, mm Curva tecnica proposta per conversione da P a S e distanza Connexion pour la conversion de P en S, et distance possible Anschlussstutzen für die Umwandlung von P in S und möglicher Abstand Предлагаемый изгиб P к S и возможное расстояние захвата, мм			
	MX904	MX904L	MX904K	MX904A
RAK-Compact	-	108	-	-
RAK-Compact BTW P	-	50	100	-
RAK-Compact RIMLESS DELUXE CC BTW - P 450	185	115	165	160-200
RAK-Compact RIMLESS DELUXE - P 450 Open	150	80	130	170-210
RAK-Compact RIMLESS CC BTW WC - P 750MM	230	160	210	170-270
RAK-Compact RIMLESS CC WC - P 750MM	-	90	-	-
RAK-Compact RIMLESS BTW - P 750MM	-	-	-	-
RAK-Compact RIMLESS BTW - P 700MM	-	-	-	-
RAK-One CC BTW - P	-	150	200	170-210
RAK-One BTW - P	-	50	100	-
RAK-Karla P	-	100	-	-
RAK-Karla BTW - P	-	-	-	-
RAK-Morning RIMLESS CC WC - P	-	50	-	-
RAK-Morning RIMLESS CC BTW WC - P	-	-	-	-
RAK-Morning RIMLESS WC - P	120	50	100	-
RAK-Metropolitan - P	-	100	-	-
RAK-Metropolitan BTW - P	120	50	100	-
RAK-Orinet	-	100	-	-
RAK-Origin BTW WC - P	120	50	100	-
RAK-Opulence CC BTW WC - P	235	175	225	170-270
RAK - Sensation CC BTW WC - P	160	90	140	190-220
RAK - Sensation BTW WC - P	120	50	100	-

Water Closet Model Modelli wc/ Modèle wc/ Modell-/ Унитаз-компакт (Rear supporting part of WC to be removed where applicable/ Parte posteriore del WC da rimuovere se applicabile/ Partie postérieure du WC à enlever si applicable/ Der hintere, bei Bedarf entfernbare Teil des WC/ Задняя опорная часть унитаза должна быть удалена, где это применимо) CC - Close coupled/ monoblocco/ monobloc/ tiefspül/ Приставной унитаз BTW - Back to wall/ filomuro/ posé au sol / rückwandmontage P - P trap/ scarico a parete/ au sol/ S-Falle/ Выход в стену S - S trap/ scarico a terra/ au sol/ S-Falle/ Выход в пол	Proposed P to S conversion bend and possible Trap distance, mm Curva tecnica proposta per conversione da P a S e distanza Connexion pour la conversion de P en S, et distance possible Anschlussstutzen für die Umwandlung von P in S und möglicher Abstand Предлагаемый изгиб P к S и возможное расстояние захвата, мм			
	MX904	MX904L	MX904K	MX904A
RAK-Resort CC BTW WC - P 600MM	160	90	140	180-190
RAK-Resort BTW WC - P	120	50	100	-
RAK-Sensation				
RAK-Sensation CC BTW WC				
RAK-Silver				
RAK-Silver				
RAK-Special needs 450 MM	-	-	-	-
RAK-Special needs 480 MM	-	-	-	-
RAK-Tonique CC BTW - P	-	100	150	-
RAK-Tonique - P	-	90	140	-
RAK-Tonique BTW - P	120	50	100	-
RAK-Washington P	-	100	-	-
RAK-Washington BTW WC P	-	50	-	-

RAK Ceramics is committed to developing eco-friendly sanitary ware products with a particular focus on water saving, and has launched the Eco-Fresh, Waterless Urinal Sanitation System. Eco-Fresh is an advanced urinal sanitation system which requires absolutely no water to flush.

RAK Ceramics' Sanitary ware includes an elegant range in wash basins (mounted and pedestal), bathroom suites – wash basins, water closets and bidets (close coupled, back-to-wall and wall hung), water closets adapted for customers with special needs, bath tubs, shower trays, kitchen sinks.

Vitreous China

Vitreous China sanitary ware products are manufactured using high quality Ball Clay, Kaolin Clay, Silica Sand, Feldspar etc.

The raw materials are tested as per the Standards procedure in laboratory before being taken for production. The non-plastic raw materials namely Silica Sand and Feldspar are crushed into manageable state to undergo a wet milling process in the ball mill. The mix is then transferred to a high speed blunger, where the clay will be added as per the recipe and the resulting 'Body slip' will undergo a 2 hours blunging process to achieve homogeneity of the mix. It is then passed through a vibrating sieve attached to a fine mesh with powerful magnets to remove impurities before being finally stored in the storage Arc. From the storage Arc the body slip is transferred to various casting departments after testing the rheological properties.

The Sanitaryware products are produced using three different types of casting processes namely high or medium pressure casting, battery casting and traditional casting. Majority of the products are produced by high or medium pressure casting using resin moulds, which results in very high quality products due to the atomization process involved.

The casted products are then arranged on trolleys to undergo a natural drying process of 24 to 48 hours depending on the size of the products. The products are then given a smooth finish before being sent for drying in Tunnel / Chamber dryers for another 10 – 12 hours in order to achieve moisture content below one percent. The dried pieces are then transferred to inspection booth before undergoing the Glazing process. During inspection, each and every piece will be checked for technical flaws before being transferred to Glaze Spraying Booths, where they are coated with an impervious, non-crazing vitreous glaze.

The glazed pieces are then arranged on kiln cars before the pieces are transferred to the shuttle or tunnel kilns for firing at a very high temperature of 1220 ° C to obtain Vitreous China Sanitaryware with Water Absorption less than 0.5% of the dry weight.

The resulting fired product then undergoes different Quality checking / testing processes such as Visual Quality check, Leak test, Dimensional check, Crazing test, Burning test, Acid resistance test, Staining test, Water Absorption test etc. as per the procedure. In case of water closet the cisterns will be fitted in house with the approved flush mechanism before being shipped to our valued customers.

Vitreous China is therefore highly Hygienic, Fireproof, Stain-proof, Rustles, non-fading and is also resistant to Acids & Alkalies.

Fire Clay

Fireclay Sanitaryware products are manufactured using Ball clays, Kaolin Clay, Quartz and Pre-fired Clays. The clays are processed in the blunger and to this mix, Quartz and Pre-fired clay are added to undergo blunging process for an hour to achieve homogeneity. The final 'Fireclay Slip' is then passed through a mesh and powerful magnet to remove impurities before being stored in the storage Arc. The other manufacturing process remains same as of Vitreous China products.

In general, fireclay slip will be used to produce heavy-duty large size WASH BASINS, kitchen sinks, service sinks, lab sinks etc., where the shape retention is critical.

RAK Ceramics è impegnata nello sviluppo di prodotti sanitari eco-compatibili, con particolare attenzione al risparmio idrico, e recentemente ha lanciato Eco-Fresh, un sistema sanitario urinario avanzato che non richiede alcun flusso di acqua di scarico.

La collezione di prodotti sanitari di RAK Ceramics include una elegante gamma di lavabi (a mensola e a colonna), completi per il bagno – lavabi, tazze e bidet (monoblocco, a muro e sospesi), tazze adattate per clienti con bisogni speciali, vasche da bagno, piatti doccia, lavelli da cucina.

Vitreous China

I prodotti sanitari in gres chiaro sono realizzati utilizzando materie prime di alta qualità, come argilla bianca, argilla caolinica, sabbia silicea e feldspato.

Le materie prime vengono qualitativamente testate nel nostro laboratorio interno prima di essere utilizzate per la produzione. Le materie prime non plastiche (sabbia silicea e feldspato) vengono frantumate prima di essere sottoposte al processo di macinazione ad umido nel mulino a sfere. La miscela viene trasferita in un'impastatrice ad alta velocità, in cui l'argilla viene addizionata e la pasta 'slip' risultante è impastata per due ore per ottenere una miscela omogenea. La miscela è passata attraverso un vaglio vibrante collegato ad un setaccio fine con potenti magneti per rimuovere le impurità, prima di essere finalmente spostata nell'arco di stoccaggio. Dopo aver testato le proprietà reologiche, la pasta slip è trasferita agli specifici reparti di colata.

I prodotti sanitari sono realizzati utilizzando tre diversi tipi di processi di colata: colata media o ad alta pressione, colata a batteria, colata tradizionale. La maggioranza dei prodotti sanitari della RAK Ceramics sono realizzati utilizzando la colata media o ad alta pressione in stampi di resina, che produce prodotti di alta qualità grazie al processo di atomizzazione attivato.

I prodotti colati sono disposti su carrelli per essere sottoposti ad un processo di essiccazione naturale dalle 24 alle 48 ore in base alle dimensioni del prodotto. Ai prodotti viene quindi conferita una finitura liscia prima di essere inviati per un'ulteriore essiccazione in essiccatoi a tunnel/camera per altre 10-12 ore al fine di ottenere un contenuto di umidità inferiore all'1%. I pezzi asciutti vengono ispezionati prima di essere sottoposti a vetrinatura. Nel corso dell'ispezione, ciascun pezzo viene controllato al fine di individuare eventuali difetti prima di essere trasferito nella cabina di spruzzatura dello smalto, dove viene rivestito con uno smalto vitreo impermeabile e anti-fessurativo.

I pezzi smaltati vengono collocati su carrelli da forno prima di essere trasferiti nei forni a shuttle o a tunnel per la cottura alla temperatura molto elevata di 1220°C. La combinazione dei materiali usati, del processo utilizzato e della cottura a una temperatura così elevata crea prodotti sanitari in gres chiaro con un livello di assorbimento dell'acqua inferiore allo 0,5% del peso asciutto.

Il prodotto finito quindi viene sottoposto ad una serie di diverse procedure di controllo/verifica della qualità, inclusi un controllo visivo, un controllo dimensionale, prove di tenuta, di fessurazione, di combustione, di resistenza agli acidi, di macchiabilità e di assorbimento idrico. Per quanto riguarda i vasi, nella fase finale la tazza viene fornita all'interno dello stabilimento del meccanismo di scarico approvato prima che il prodotto finito venga spedito.

Il gres chiaro è estremamente igienico, a prova di fuoco, a prova di macchia, a prova di ruggine, non sbiadisce ed è anche resistente agli acidi e agli alcali.

Fire Clay

I prodotti sanitari in materiale refrattario sono realizzati utilizzando argilla bianca, argilla caolinica, quarzo e argilla precotta. Le materie prime vengono aggiunte nell'impastatrice e sottoposte ad un processo di impasto per un'ora per ottenere una miscela omogenea.

Lo 'slip' refrattario finale viene quindi passato attraverso un vaglio vibrante collegato ad un setaccio fine con potenti magneti per rimuovere le impurità, prima di essere finalmente spostato nell'arco di stoccaggio. Il procedimento produttivo successivo è lo stesso di quello adottato per i prodotti in gres chiaro.

In generale, lo slip refrattario viene utilizzato per produrre lavabi di grandi dimensioni e per prolungato utilizzo, come per i lavelli da cucina, lavelli di servizio o lavelli da laboratorio in cui è fondamentale il mantenimento della forma.

RAK Ceramics s'engage à mettre en place des produits sanitaires favorables à l'environnement mettant un accent particulier sur l'économie d'eau. Récemment a été mis sur le marché le système Eco-Fresh, un système d'assainissement d'urinoir sophistiqué qui ne nécessite absolument pas d'eau de chasse. La collection de sanitaires de RAK Ceramics inclut une gamme de lavabos (montés ou sur socle), des salles de bain complètes : lave-mains, W.C. et bidets (monobloc, dos au mur et suspendu), W.C. adaptés pour les clients avec des besoins spéciaux, baignoires, receveurs de douche, évier de cuisine.

Porcelaine Vitriifiée

Les produits sanitaires à base de porcelaine vitriifiée sont fabriqués à l'aide de matières premières de haute qualité comme l'argile figuline, le kaolinton, le sable silicieux et le feldspath.

La qualité des matières premières est testée dans nos laboratoires sur site avant que celles-là ne soient envoyées en production. Les matières premières non-plastiques (sable silicieux et feldspath) sont écrasées avant de subir un processus de broyage humide dans le broyeur à billes. Le mélange est transféré vers un délayeur à haute vitesse où l'argile est ajoutée, et la « barbotine » obtenue est délayée pendant deux heures pour assurer un mélange homogène. Le mélange traverse un tamis vibrant fixé à une grille à mailles fines avec de puissants aimants, pour éliminer les impuretés avant d'être finalement acheminé vers l'arc de stockage. Après le test des propriétés rhéologiques, la barbotine est transférée aux divisions de coulage requises.

Les produits sanitaires sont fabriqués grâce à trois processus de coulage différents : coulage à pression moyenne ou élevée, coulage par batterie ou coulage traditionnel. La plupart des produits sanitaires de RAK Ceramics sont le résultat d'un coulage à pression moyenne ou élevée dans des moules en résine, étant des produits de très haute qualité en raison du processus d'atomisation impliqué.

Les produits coulés sont disposés sur des chariots dans le cadre du processus de séchage s'étendant sur 24 à 48 heures selon la taille du produit. La finition confère aux produits un aspect lisse avant qu'ils ne soient envoyés pour séchage supplémentaire dans des séchoirs tunnel/à chambre pendant 10 à 12 heures, pour réduire la teneur en humidité à moins de 1%. Les pièces séchées sont inspectées avant le processus d'émaillage. Au cours de l'inspection, chaque pièce est contrôlée sur d'éventuels défauts techniques avant qu'elle ne soit transférée vers la cabine d'atomisation où elle est revêtue d'émail vitreux imperméable et anti-fissures.

Les pièces émaillées sont placées sur des wagons de four avant d'être transférées aux fours à tunnel ou à sole mobile pour la cuisson à une température de 1220°C. L'association de matériaux utilisés, les processus et la cuisson à une telle température offrent des sanitaires à base de porcelaine vitriifiée avec un taux d'absorption d'eau inférieur à 0,5% du poids à sec. Le produit final passe ensuite par une série de procédures de vérification/test de qualité, y compris un contrôle visuel de la qualité, un contrôle dimensionnel et des tests d'étanchéité, de fissuration, de brûlage, de résistance aux acides, de coloration et d'absorption d'eau. À l'étape finale pour ce qui est des W.C., les citernes sont munies en maison par un mécanisme de chasse approuvé avant que le produit fini ne soit expédié. La porcelaine vitriifiée est très hygiénique, ignifuge, résistante aux taches, inoxydable, inaltérable et également résistante aux acides et alcalins.

Fire Clay

Les sanitaires à base d'argile réfractaire sont fabriqués à l'aide d'argiles figulines, de kaolinton, de quartz et d'argiles pré-cuites. Les matières premières sont ajoutées dans le délayeur et subissent un processus de délayage pendant une heure pour obtenir un mélange homogène. La « barbotine à base d'argile réfractaire » traverse ensuite un tamis vibrant fixé à une grille à mailles fines avec de puissants aimants, pour éliminer les impuretés avant d'être finalement acheminée vers l'arc de stockage. La suite du processus de fabrication reste identique à celui des produits en porcelaine vitriifiée. En général, la barbotine à base d'argile réfractaire est utilisée pour la production de lavabos robustes de grande taille, à l'instar d'évier de cuisine, de vidoirs ou d'évier de laboratoire où le maintien des formes est crucial.

RAK Ceramics fühlt sich verpflichtet, umweltfreundliche Sanitärprodukte mit besonderem Fokus auf Wassereinsparung zu entwickeln und führte vor kurzem Eco-Fresh ein, ein erweitertes Urinal-System, welches komplett ohne Wasser zum Spülen auskommt.

Zur Kollektion an Sanitärprodukten von RAK Ceramics gehören eine Produktreihe an eleganten Waschbecken (montiert und auf Sockel), Badezimmereinrichtungen, einschließlich Waschbecken, Toiletten und Bidets (eng aneinander stehend, Rückwandmontage und hängend an der Wand), Toiletten, die für Kunden mit speziellen Bedürfnissen entwickelt wurden, Badewannen, Duschwannen, Küchenspülen.

Porzellanemail

Sanitärprodukte aus Porzellanemail werden aus hochwertigen Rohstoffen, wie Kugelton, Tonerde, Quarzsand und Feldspat hergestellt.

Die Rohstoffe werden, bevor Sie für die Produktion verwendet werden, alle in unserem Vor-Ort-Labor auf ihre Qualität getestet. Die kunststofffreien Rohstoffe (Quarzsand und Feldspat) werden vor dem Nassmahlverfahren in der Kugelmühle zerkleinert. Das Gemisch wird dann in einen Hochgeschwindigkeits-Tonmischer übergeben, in dem Ton zugesetzt wird. Der daraus resultierende "Schlicker" wird dann für zwei Stunden gemischt, um eine homogene Mischung zu erzeugen. Vor der Lagerung wird die Mischung durch ein feinmaschiges Rüttelsieb mit starken Magneten geleitet, um Verunreinigungen zu entfernen. Nach der Prüfung der rheologischen Eigenschaften wird der "Schlicker" in die Gießerei übertragen.

Die Sanitärprodukte werden mit Verwendung von drei unterschiedlichen Gießverfahren hergestellt: Mittel- oder Hochdruckguss, Batterieguss oder traditioneller Guss. Die meisten Sanitärprodukte von RAK Ceramics werden mit Mittel- bis Hochdruckguss in Harzformen hergestellt, was wegen des Zerstoßprozesses zu sehr hochwertigen Produkten führt.

Die gegossenen Produkte werden auf Wagen angeordnet und, abhängig von der Größe, einem natürlichen Trocknungsvorgang von 24 bis 48 Stunden unterzogen. Bevor die Produkte dann für weitere 10 bis 12 Stunden zum weiteren Trocknen in Tunnel-/Kammertrocknern, um einen Feuchtigkeitsgehalt von weniger als 1% zu erreichen, wird die Oberfläche geglättet. Die getrockneten Produkte werden dann vor dem Glasieren kontrolliert.

Während der Kontrolle wird jedes Stück auf technische Mängel überprüft. Danach kommt es in die Glasur-Spritzkabine, in der es mit einer dichten, gegen Haarrisse resistenten glasigen Glasur überzogen wird. Die glasierten Stücke werden dann auf einem Ofenwagen gesetzt, bevor diese in einen Herdwagenofen oder einen Tunnelofen bei 1220°C gebrannt werden. Die Kombination aus den verwendeten Materialien und dem Brennen bei so hohen Temperaturen erlauben die Erzeugung von Sanitärprodukten aus Porzellanemail mit einer Wasseraufnahme von weniger als 0,5% des Trockengewichtes.

Das Endprodukt unterläuft dann eine Reihe an verschiedenen Qualitätsprüfungen/Testverfahren, einschließlich einer visuellen Qualitätsprüfung, einer Maßkontrolle, und Tests für Leckage, Haarrissbildung, Brennen, Säurebeständigkeit, Färbung und Wasseraufnahme. Beim letzten Schritt für Toiletten wird die Zisterne mit dem genehmigten Spülmechanismus dann im Haus angebracht, bevor das Endprodukt schließlich ausgeliefert wird. Porzellanemail ist sehr hygienisch, feuerfest, schmutzabweisend, rostfrei, lichtecht und beständig gegen Säuren und Laugen.

Fire Clay

Sanitärprodukte aus Schamott werden aus Kugelton, Tonerde Quarz und vorgebranntem Ton hergestellt. Die Rohstoffe werden dem Mischer zugeführt und eine Stunde vermischt, um eine homogene Mischung zu erhalten. Vor der Lagerung wird die Schamottmischung durch ein feinmaschiges Rüttelsieb mit starken Magneten geleitet, um Verunreinigungen zu entfernen. Der übrige Herstellungsprozess ist der gleiche wie für Produkte aus Porzellanemail.

Normalerweise werden Schamottmischungen zur Herstellung großer Industriewaschbecken wie Küchenspülen, Service-Waschbecken oder Laborwaschbecken verwendet, bei denen Formstabilität entscheidend ist.

Наша цель – разработка экологически чистой сантехники с особым акцентом на экономию воды. Поэтому мы разработали систему Eco-Fresh и систему безводного смыва писсуаров Waterless. Eco-Fresh - это продвинутая технология для писсуаров, которая позволяет полностью отказаться от использования воды.

Сантехника RAK Ceramics включает в себя ассортимент стильных и элегантных раковин (подвесных и с пьедесталом), керамической сантехники для ванных комнат - раковин, унитазов и биде (компактов, приставных и настенных), унитазов, приспособленных для клиентов с особыми потребностями, ванн, душевых поддонов, кухонных раковин.

Фаянс

Керамическая сантехника из фаянса производится с использованием высококачественной комовой глины, каолиновой глины, кварцевого песка, полевого шпата и т. д.

Перед принятием в производство сырье проверяется в лаборатории в соответствии с процедурами, предусмотренными стандартами. Непластичные исходные материалы, а именно: кварцевый песок и полевой шпат, измельчаются до состояния порошка в процессе мокрого размола в шаровой мельнице. Затем смесь переносится в высокоскоростную глиномешалку, где глина добавляется в соответствии с рецептом, а получающаяся в результате масса перемешивается в течение двух часов, чтобы получить однородную смесь. Затем ее пропускают через вибросито с мелкими ячейками и мощными магнитами для удаления примесей, прежде чем отправить на хранение. После хранения масса передаётся в различные отделы для литья после проверки реологических свойств.

Сантехнические изделия производятся с использованием трех различных типов процессов литья, а именно: литье под высоким или средним давлением и традиционное литье. Большая часть изделий производится методом литья под высоким или средним давлением с использованием пресс-форм из смолы, что приводит к получению продуктов очень высокого качества благодаря использованию процесса распыления.

Затем отлитые изделия укладывают на тележки для естественной сушки на время от 24 до 48 часов, в зависимости от размера изделия. Затем поверхность изделий шлифуют перед отправкой на сушку в сушилки туннельного или камерного типа еще на 10-12 часов, чтобы достичь содержания влаги ниже одного процента. Затем высушенные части переносят на инспекционный стенд перед глазурованием. Во время осмотра каждая деталь будет проверена на дефекты, прежде чем она будет перенесена в камеры для напыления глазури, где их покрывают водоотталкивающей нерастрескивающейся стекловидной глазурью.

Покрытые глазурью детали укладывают на печные вагонетки, после чего их переносят в печи с выдвижным подом или туннельные печи для обжига при очень высокой температуре (1220 °C), чтобы получить сантехнику из фаянса, объём остаточной влаги в которой составляет менее 0,5% от сухого веса.

Полученные после обжига изделия затем проходят проверку качества и испытания, например, визуальный контроль качества, проверка на утечку, контроль размеров, испытания на растрескивание, испытания на огнестойкость, испытания на кислотостойкость, проба окрашиванием, испытания на водопоглощение и т. д. согласно процедурам. Перед отправкой клиентам в бабки для унитазов устанавливаются проверенные и надёжные механизмы смыва.

Сантехника из фаянса – это высокий уровень гигиены, огнестойкость, защита от пятен и ржавчины, от выцветания и воздействия кислот и щелочей.

Фарфор

Сантехнические изделия из фарфора производится с использованием комовых глин, каолиновой глины, кварца и предварительно обожженных глин. Глины перемешивают в глиномешалке, затем к этой смеси добавляют кварц и предварительно обожженную глину, после чего перемешивают в течение часа, чтобы достичь однородности. Полученная огнеупорная масса затем пропускается через сетку и мощный магнит для удаления загрязнений перед отправкой на хранение. Дальнейший производственный процесс аналогичен процессу для изделий из фаянса.

Как правило, огнеупорная масса используется для производства усиленных крупногабаритных раковин, кухонных раковин, бытовых раковин, лабораторных раковин и т. д., для которых сохранение формы имеет критическое значение.

ACCESSORIES&SPARE PARTS

ACCESSORI E RICAMBI

ACCESSOIRES ET PIÈCES DE RECHANGE

ZUBEHÖREN UND AUSTAUSCHTEILEN

ЗАПАСНЫЕ ЧАСТИ АКЕССУАРОВ



Bottom inlet with dual flush push button and bottom inlet cistern valve
Attacco basso completo di pulsante doppio scarico e galleggiante attacco basso
Adjonction basse avec bouton poussoir à double chasse, et flotteurs à adjonction basse
Tiefanschluß mit Sparspültaste sowie Tiefanschluß des Schwimmers
Нижний подвод воды с двойной клавишей смыва и нижний клапан подвода воды к бачку

Dual flush system 3/6 liters for ceramic cisterns with Geberit system.
Meccanismo doppio scarico 3/6 litri per cassette in ceramica con meccanismo Geberit.
Mécanisme de double chasse 3/6 litres pour réservoir en céramique avec mécanisme Geberit.
Sparspülmechanismus 3/6 Liter für Keramikpülkästen mit Geberit-Mechanismus
Система двойного смыва 3/6 литров для керамических бачков с системой Geberit.

XXWT00001

"S" trap convertor | Curva Tecnica | Connexion "S" | Anschlussstutze | Переходник для сифона S-типа |



"S" trap convertor with wall fixing for: back to wall coupled universal outlet wc, back to wall universal outlet wc.
Curva tecnica completa di kit per fissaggio a parete per vasi monoblocco filo muro scarico universale e vasi monoblocco universale filo muro.
Connexion avec kit pour la fixation au mur, pour cuvettes en monobloc à joint franc, à l'écoulement universel, et cuvettes en monobloc universel à joint franc.
Anschlussstutze mit Wandbefestigungsset für Tiefspül-WC als Rückwandmontage mit Universalabfluss, und Universal-Tiefspül-WC als Rückwandmontage. Переходник для сифона S-типа с настенным креплением для: унитаза с полным примыканием к стене и универсальным выходом, приставного унитаза с универсальным выходом.

XXWC00001



Complete siphon drainage 90 mm | Piletta completa 90 mm | Soupape d'écoulement complète 90 mm |Kompletter Abfluss 90 mm |

Complete siphon drainage with chromate cover 90 mm (for OCEAN and MARE shower trays).
Piletta completa con scarico da 90 mm coperchio cromato (per piatti doccia OCEANO e MARE).
Soupape d'écoulement complète de 90 mm, avec couvercle chromé (pour receveurs de douche OCEANO et MARE).
Kompletter Abfluss 90 mm mit Chromdeckel (für die Duschbecken OCEANO und MARE).
Полный дренаж сифона с хромированной крышкой 90 мм (для душевых поддонов OCEAN и MARE).

XXST00001

Lateral Fixations | Fissaggio laterale | Fixation latérale | Seitbefestigung | Специальное боковое крепление

Lateral fixing for wall hung wc or bidet.
Fissaggio laterale per vaso o bidet sospesi.
Fixation latérale pour cuvettes et bidets suspendus.
Befestigung für Hänge-WC oder Hänge-Bidet.
Специальное крепление для настенного туалета или биде.

ONXX00001



Fischer Hidden Fixations | Fissaggio nascosto Fischer | Fixation cachée Fischer | Fischer Versteckte Befestigung | Fischer Скрытое крепление

Fischer hidden fixations for wall hung wc or bidet.
Fissaggio nascosto Fischer per vaso o bidet sospesi.
Fixation cachée pour WC suspendu et bidet.
Versteckte Befestigung für hängendes WC und Bidet.
Скрытое крепление подвешенного унитаза и биде.

XXWC00006



Fischer Hidden Fixations | Fissaggio nascosto Fischer | Fixation cachée Fischer | Fischer Versteckte Befestigung | Fischer Скрытое крепление

Fischer hidden fixations for BTW wc, BTW bidet or freestanding washbasins.
Fissaggio nascosto Fischer per vaso filomuro, bidet filomuro o lavabi freestanding.
Fixation cachée pour WC et bidet Flush to wall et lavabos autoportants.
Versteckte Befestigung für WC und Bidet. An Wand und freistehende Waschbecken spülen.
Скрытое крепление для унитаза и биде Умывальник заподлицо и отдельно стоящий.

WB7A

Outlet Cover | Griglia copri scarico | Grille couvre drainage | Ablaufabdeckung | Решетка, Перекрывающая Выходное Отверстие



Outlet Cover in stainless steel, for RAK-Feeling showertrays.
Griglia copri scarico in acciaio, per piatti doccia RAK-Feeling.
Grille de recouvrement de drain en acier, pour receveurs de douche RAK-Feeling
Abflussgitter aus Stahl für RAK-Feeling-Duschwannen
Решетка сливного отверстия из стали, для душевых поддонов RAK-Feeling

RFXXSG00001

CONTACTS :

**RAK Ceramics Corporate
Headquarters**

RAK Ceramics, P.O. Box 4714, Ras Al Khaimah, United Arab Emirates (U.A.E.)
Tel. ±971 7 2467000, Fax. ±971 7 2445270 Email: info@rakceramics.com

**RAK Ceramics Distribution
Europe S.r.l.**

RAK Ceramics Distribution Europe S.r.l. Via Ferrari Carazzoli 21, 41042 Fiorano Modenese (MO) Italy
Tel. ±39 0536 911589, Fax. ±39 0536 913920, ±39 0536 913955

RAK Ceramics UK Ltd

RAK Ceramics UK Ltd, Bradford House, Frenchmans Road, Petersfield, Hampshire, GU32 3AW, England
Tel. ±44 1730 237850, Fax. ±44 1730 263210

RAKCERAMICS.COM
